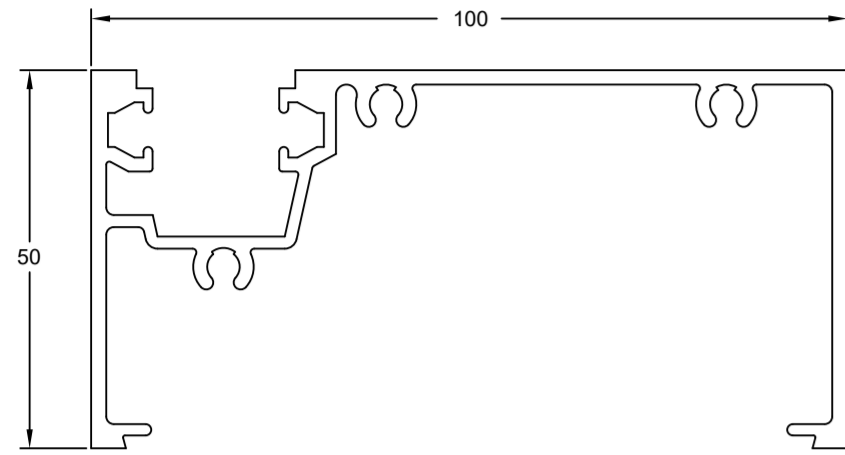




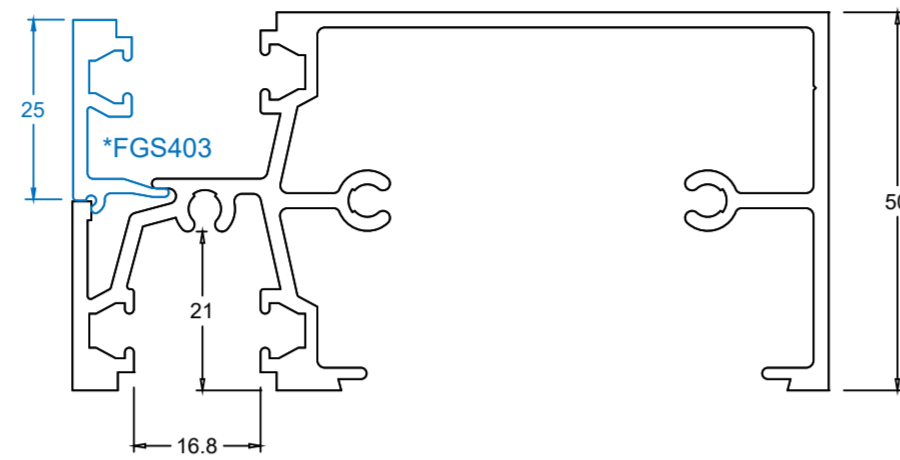
COMMERCIAL WALL CHARTS

P1 • CityView • • P30 • HarbourView • • P38 • ClimateGuard • • P48 • Glazing Charts

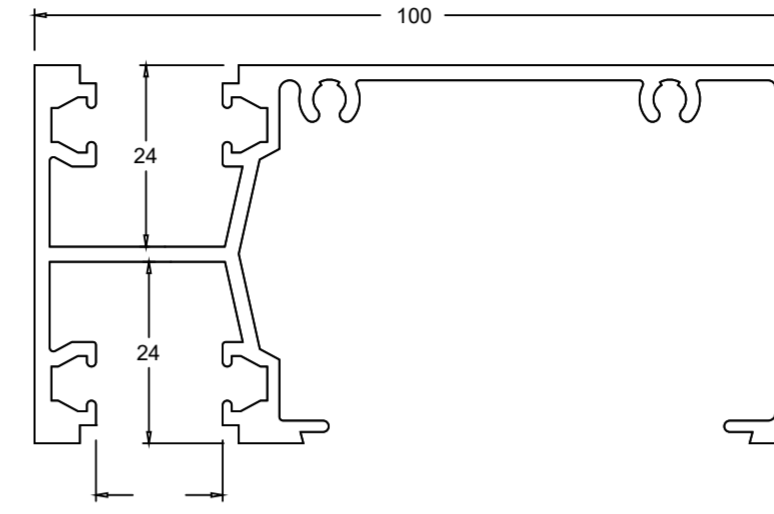
darleyaluminium.com.au



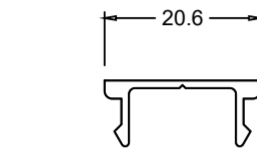
FGS401
FRAME



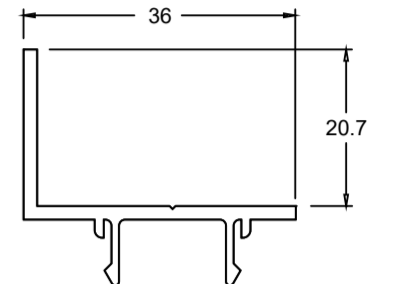
FGS402 TRANSOM SILL
*FGS403 EXTERNAL BEAD



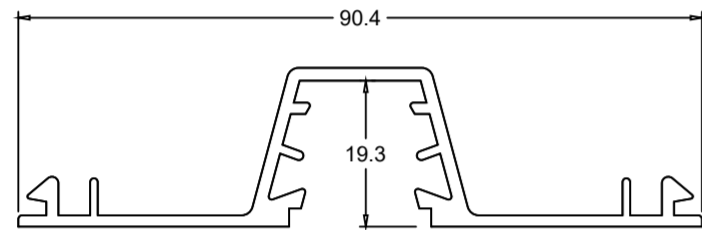
FGS404
MULLION / AWNING TRANSOM



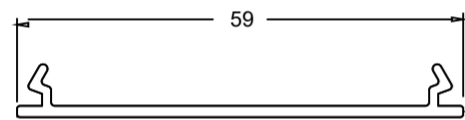
FGS406
POCKET FILLER



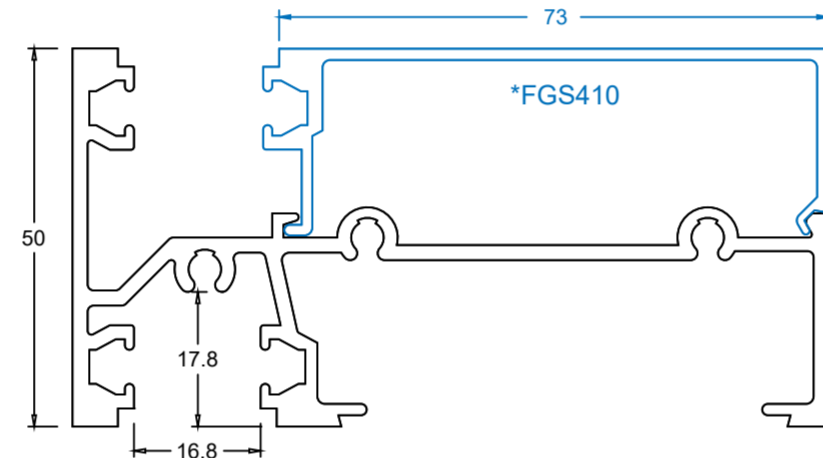
FGS416
35 AWNING STOP



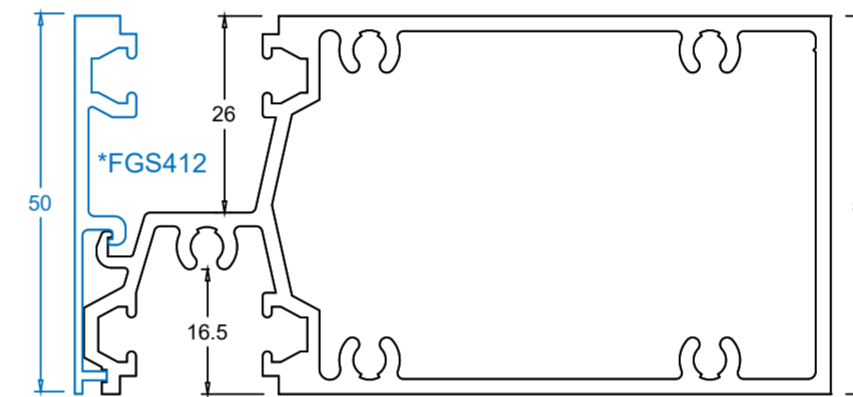
TJ304
GLAZING ADAPTOR-CAPTIVE



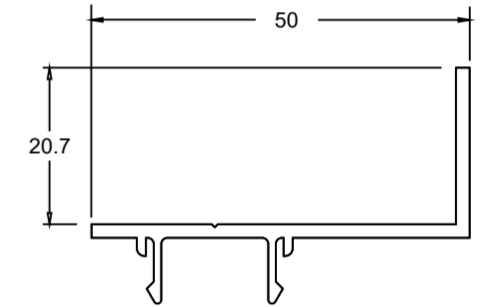
FGS417
FLAT FILLER



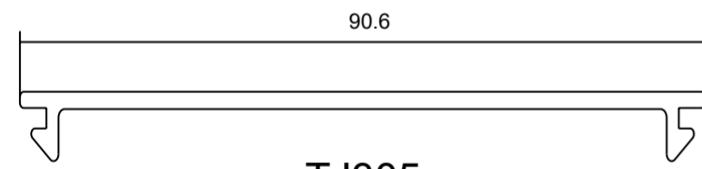
FGS409 INTERNAL TRANSOM SILL
*FGS410 INTERNAL GLAZING BEAD



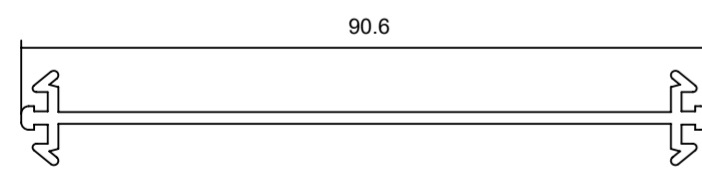
FGS411 TRANSOM SILL
*FGS412 FACE BEAD



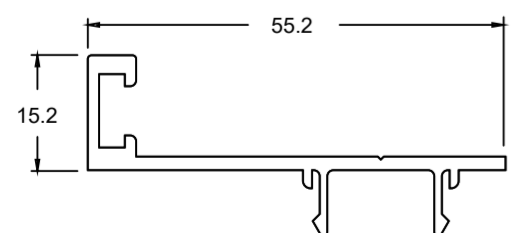
FGS419
50 AWNING STOP



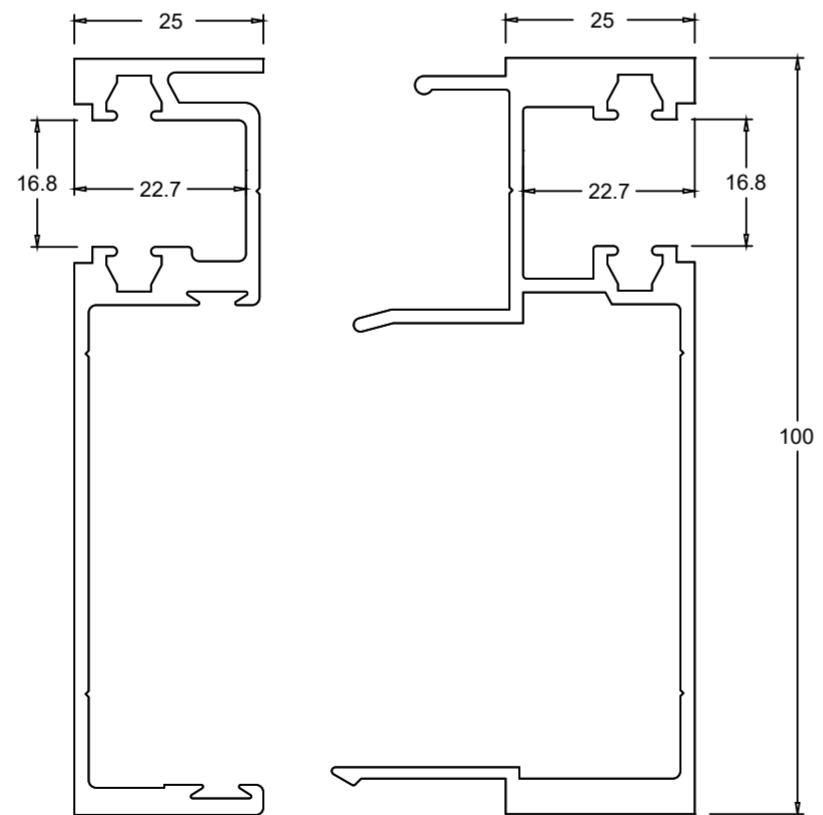
TJ305
FLUSH ADAPTOR



TJ385
BACK TO BACK ADAPTOR

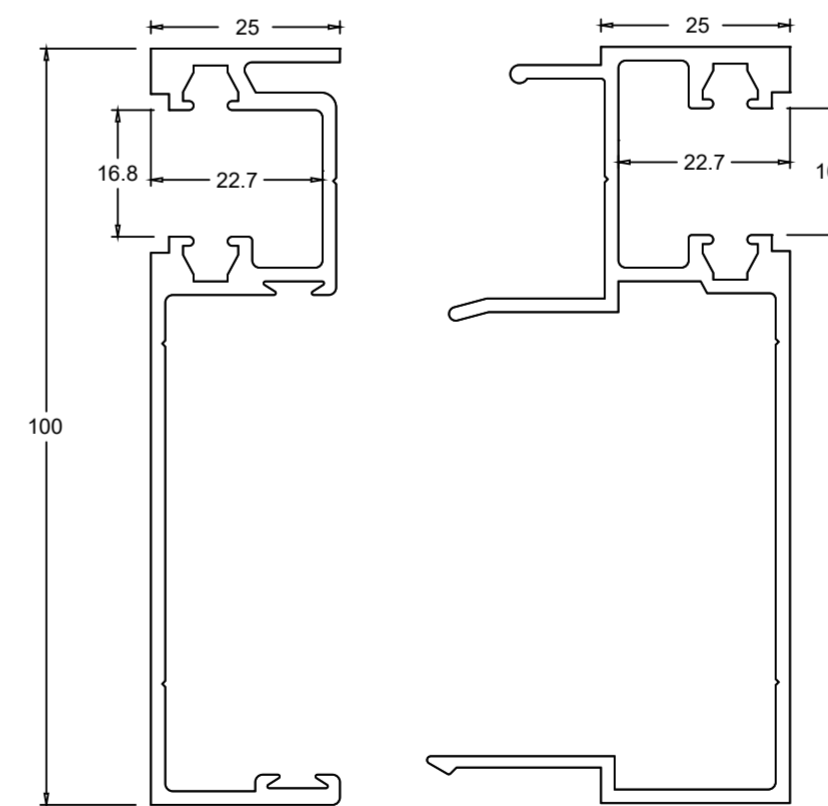


FGS407
45mm DOOR STOP



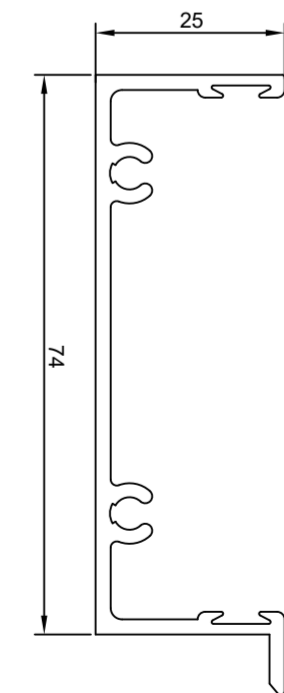
FGS430
H/D SPLIT
MULLION FEMALE

FGS429
H/D SPLIT
MULLION MALE

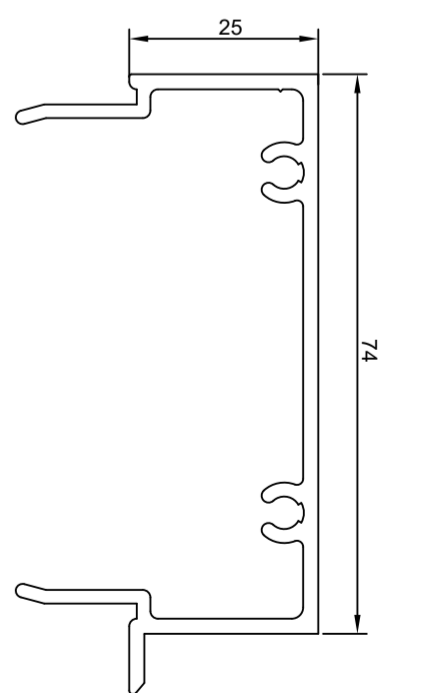


FGS427
SPLIT MULLION
FEMALE

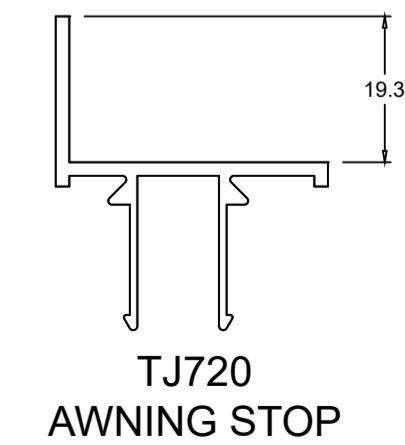
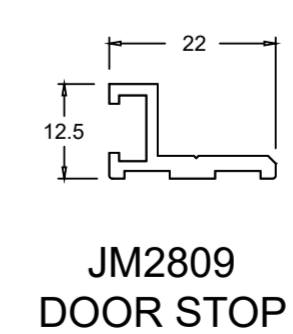
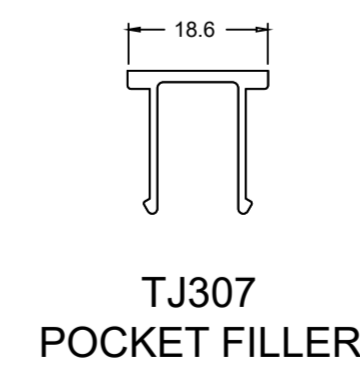
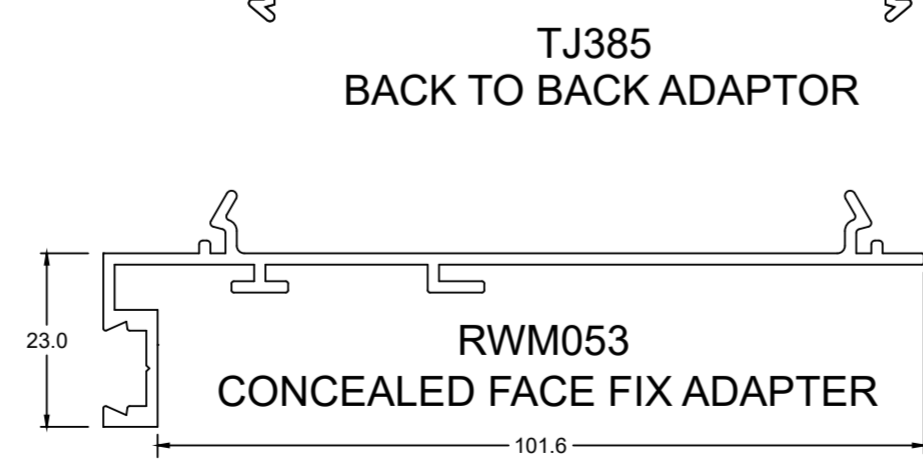
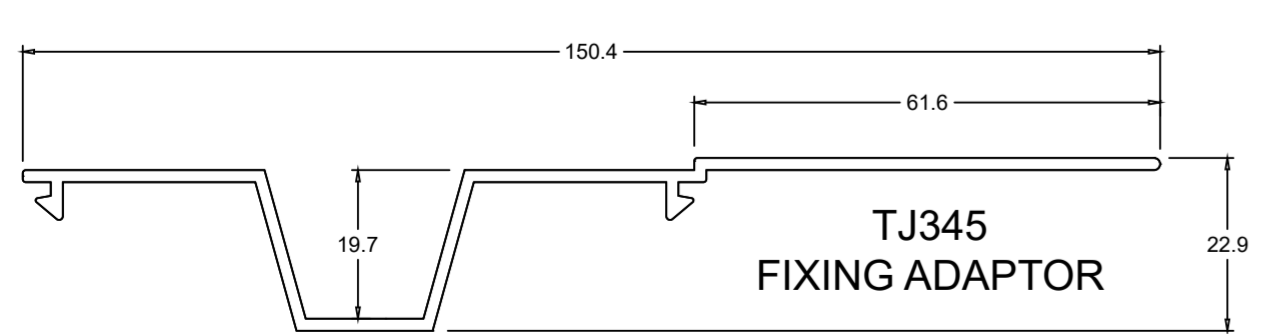
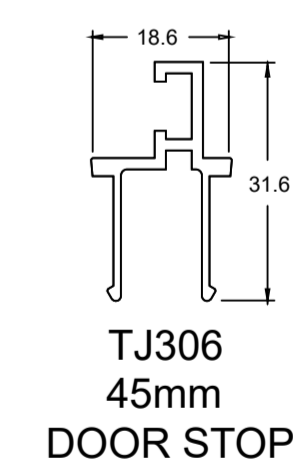
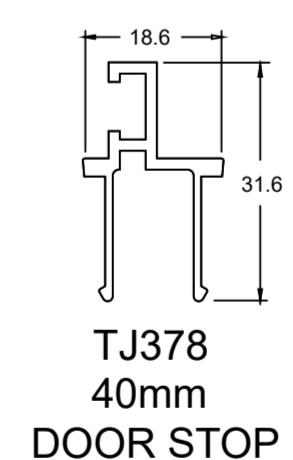
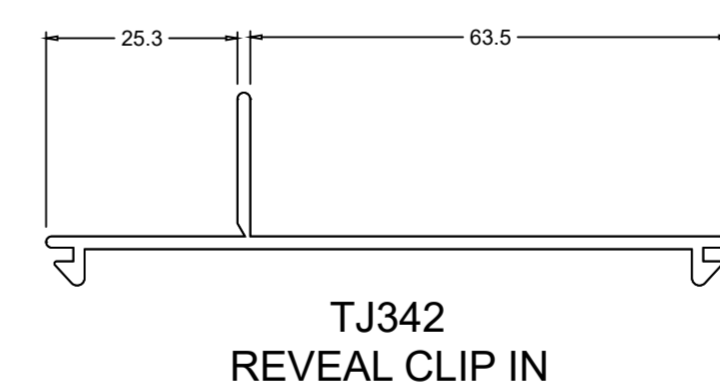
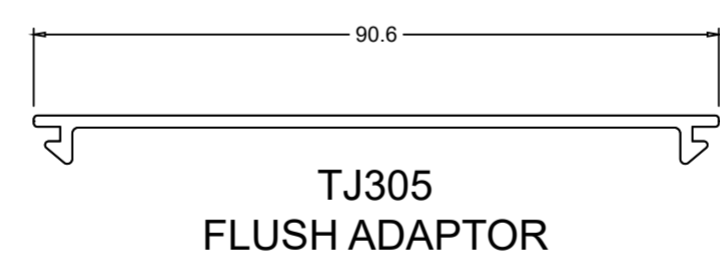
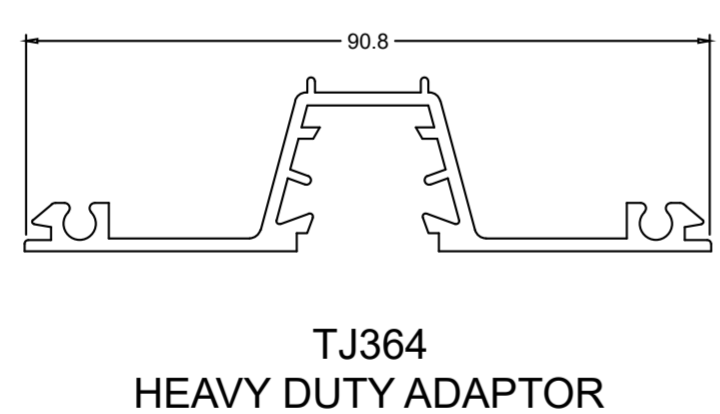
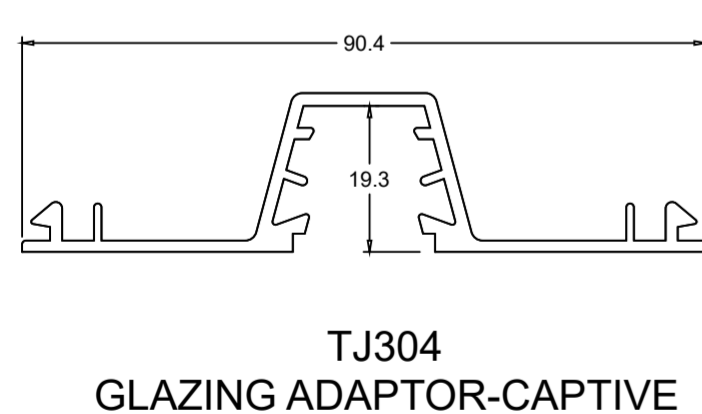
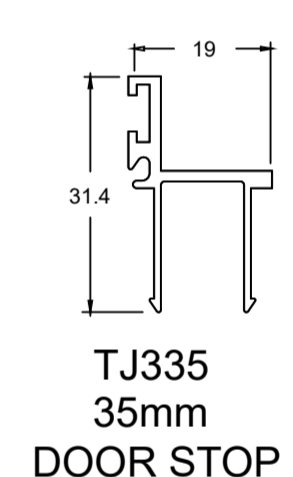
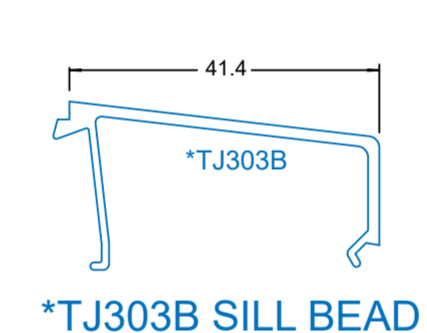
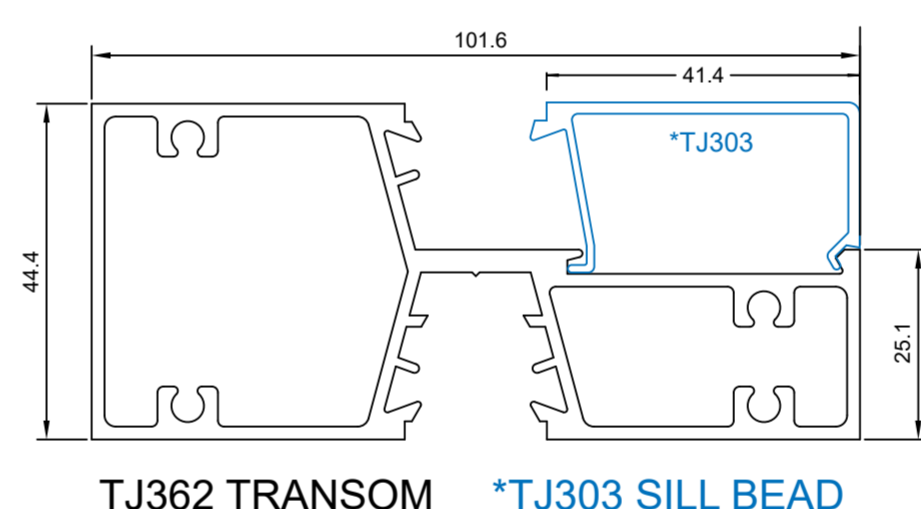
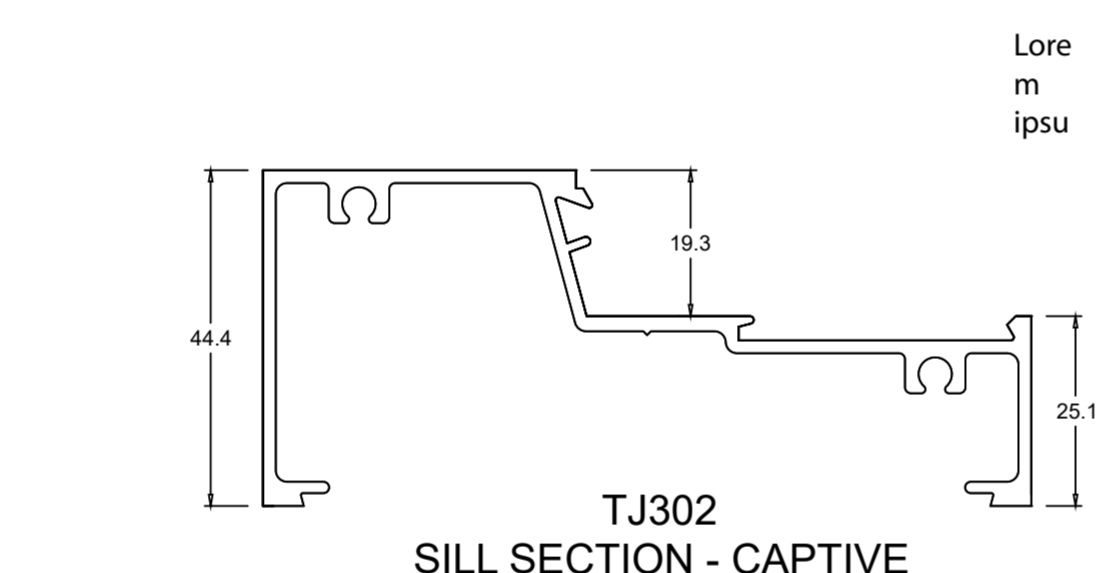
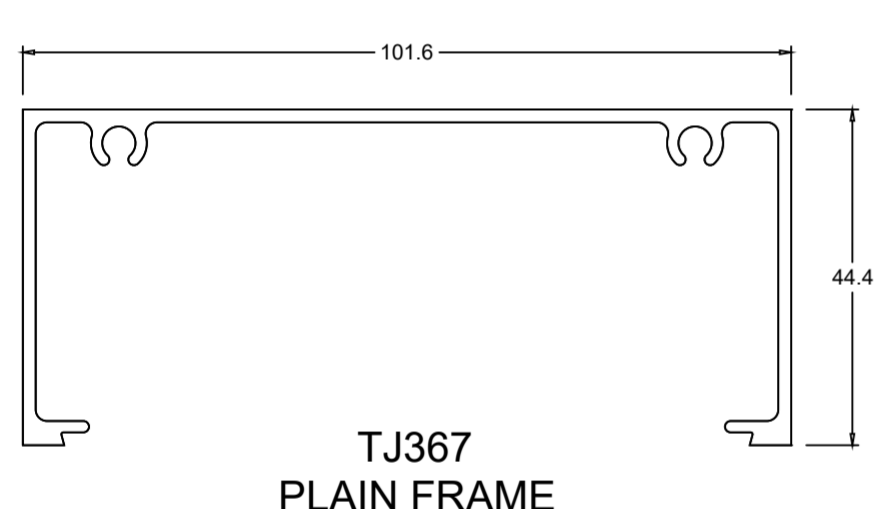
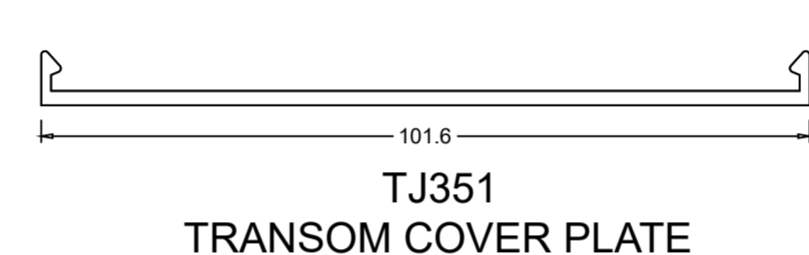
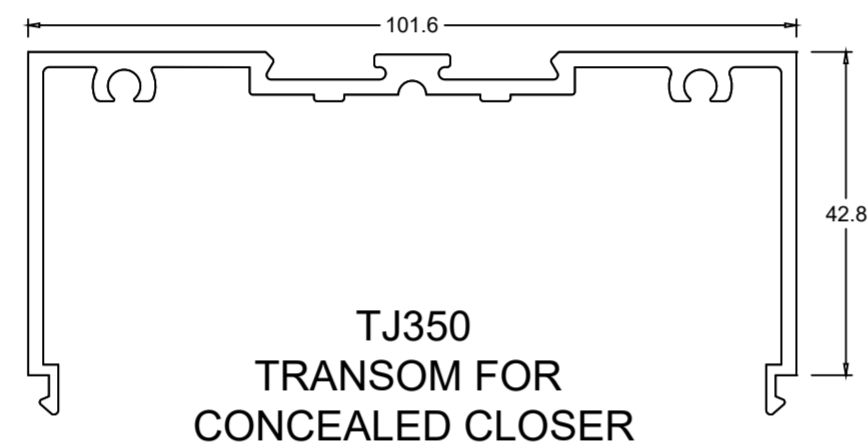
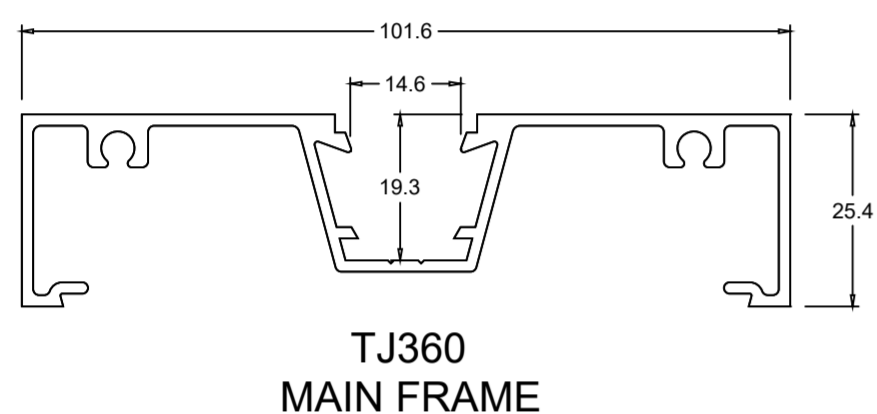
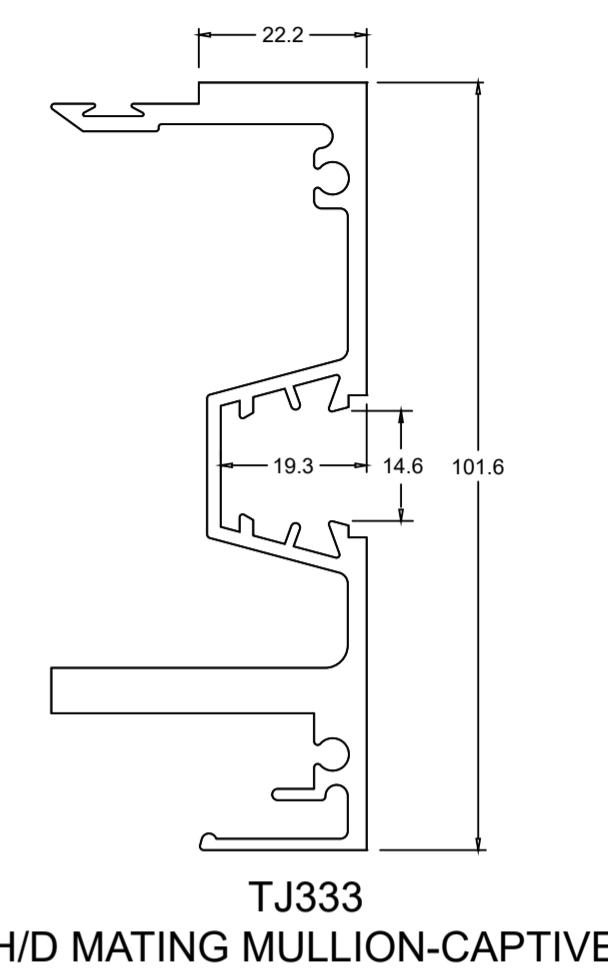
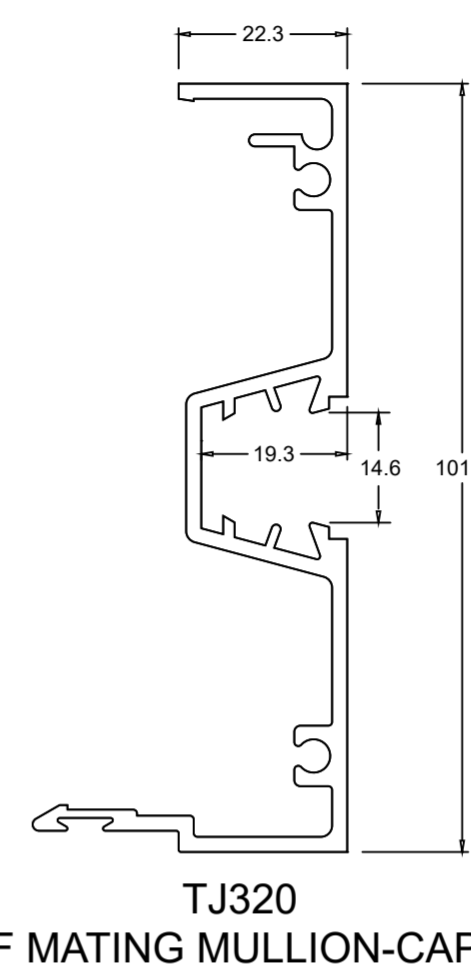
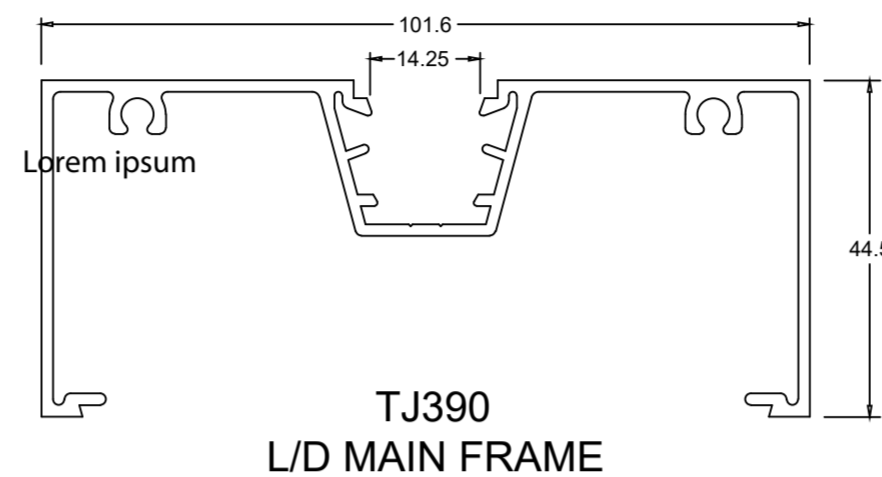
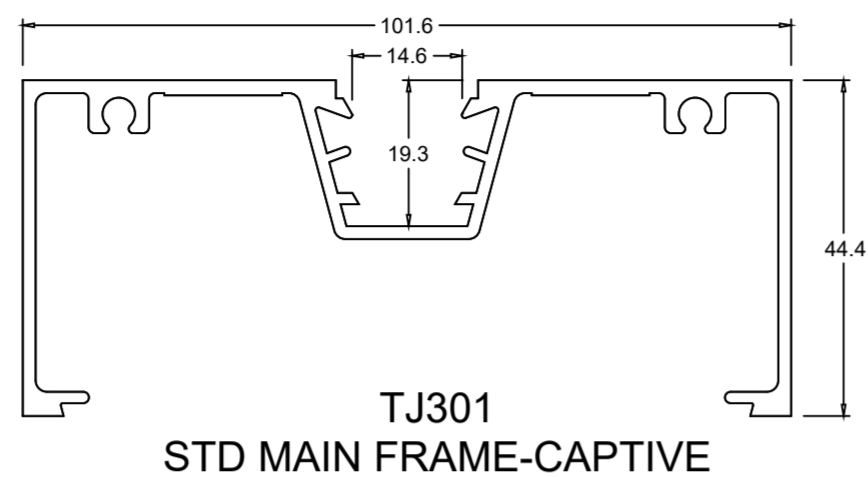
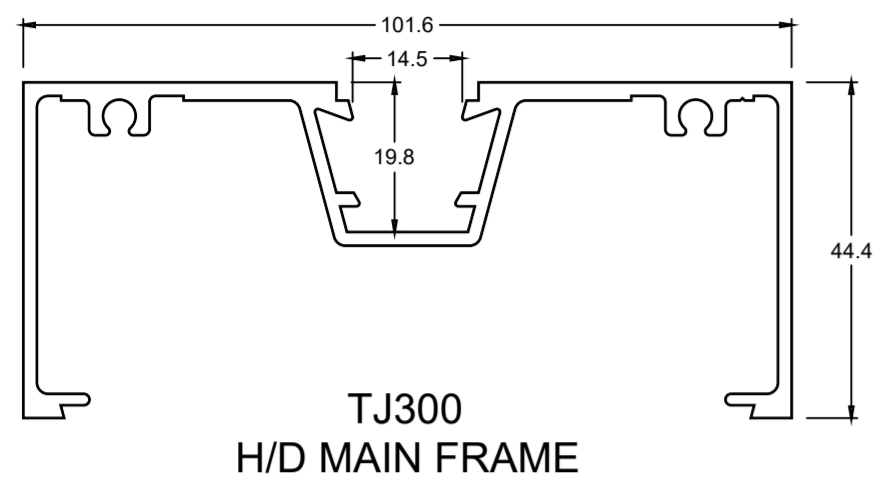
FGS428
SPLIT MULLION
MALE

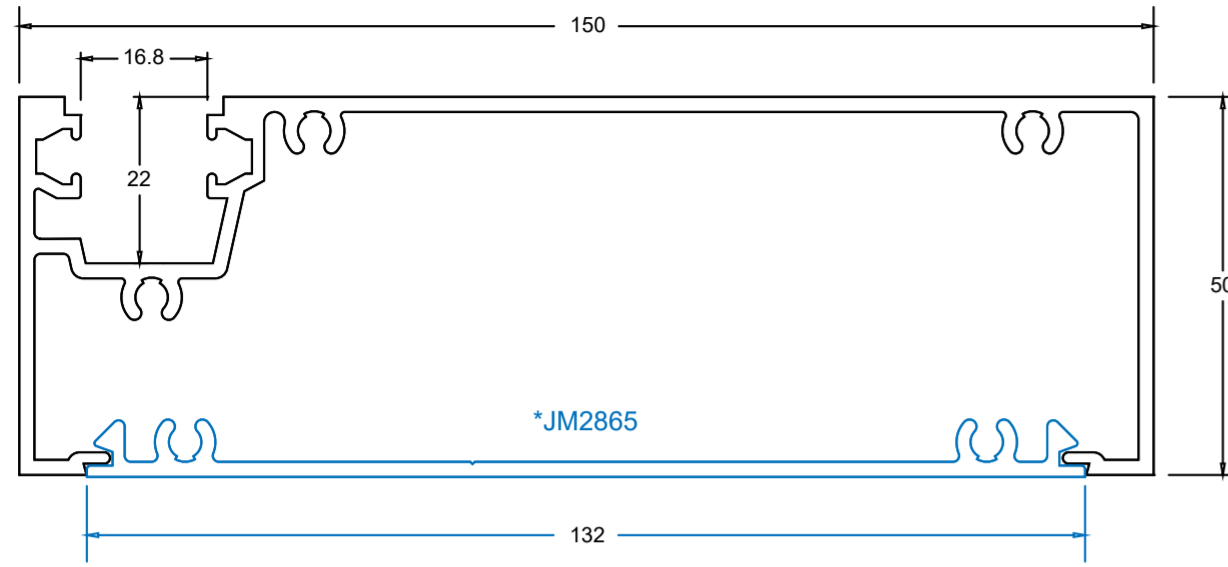


FG425
SPLIT MULLION
FEMALE

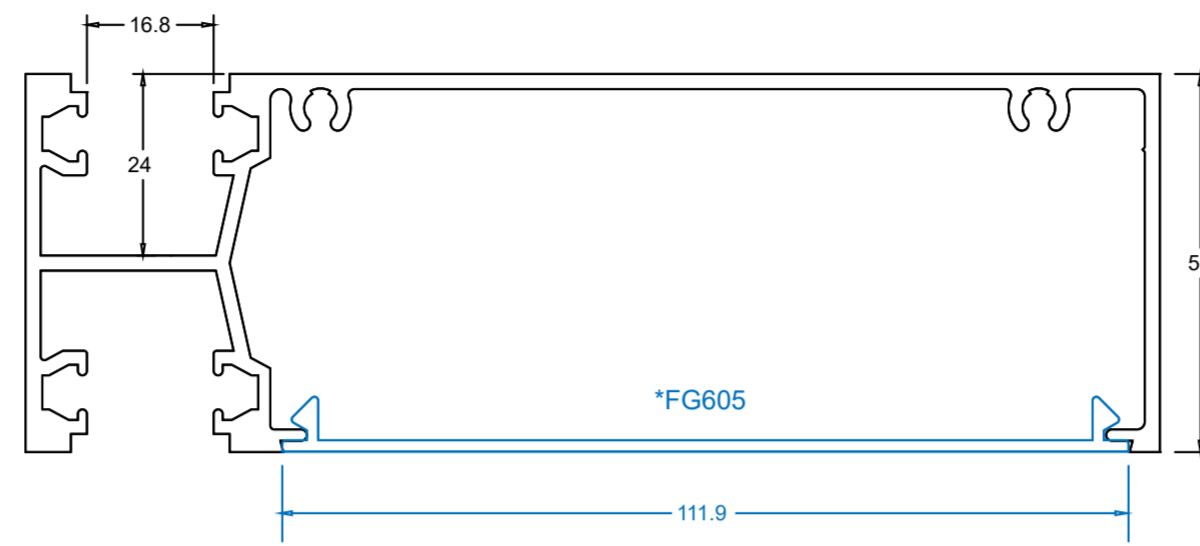


FG426
SPLIT MULLION
MALE

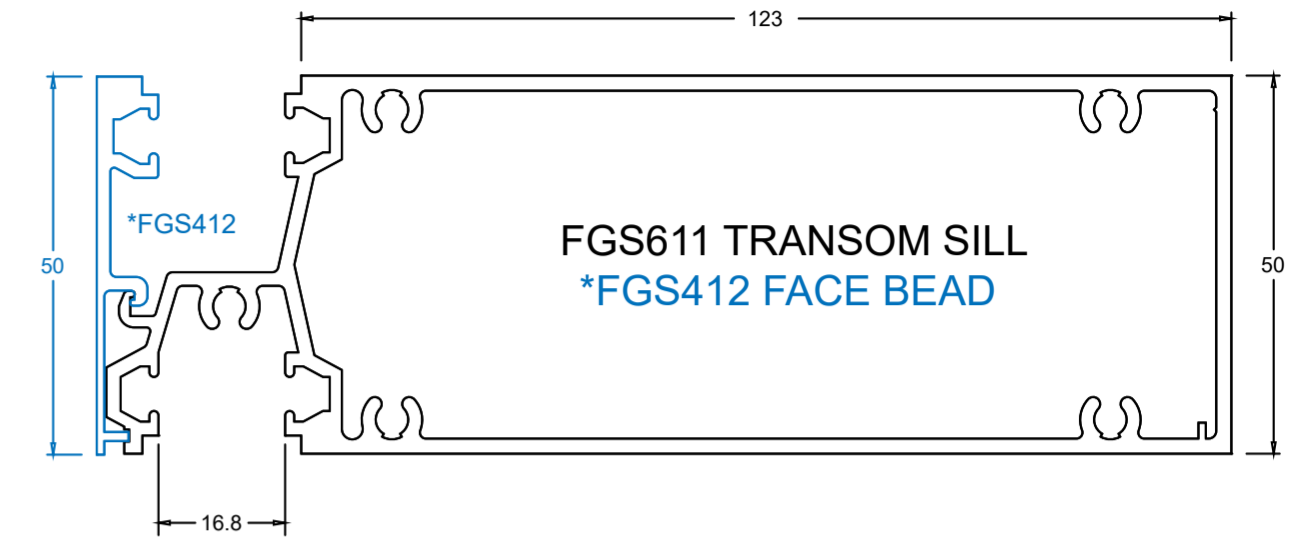




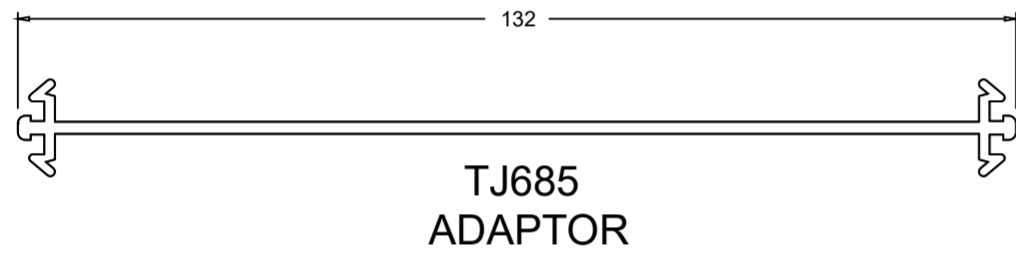
FGS601 FRAME
* JM2865 FLAT FILLER



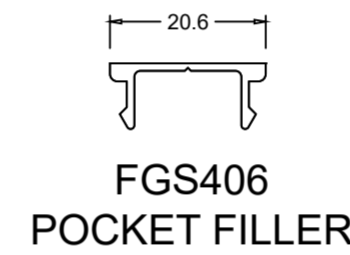
FGS604 MULLION / AWNING TRANSOM
* FG605 FLAT FILLER



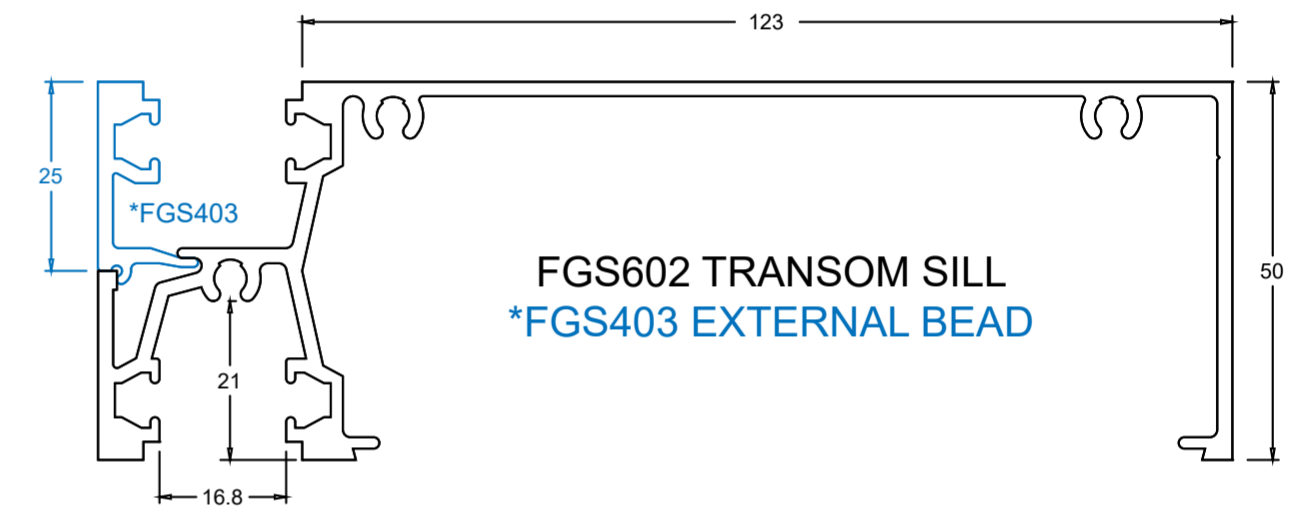
FGS611 TRANSOM SILL
*FGS412 FACE BEAD



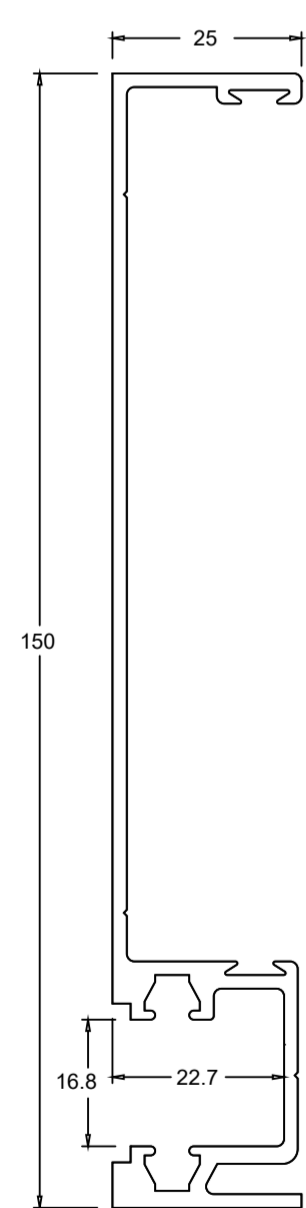
TJ685
ADAPTOR



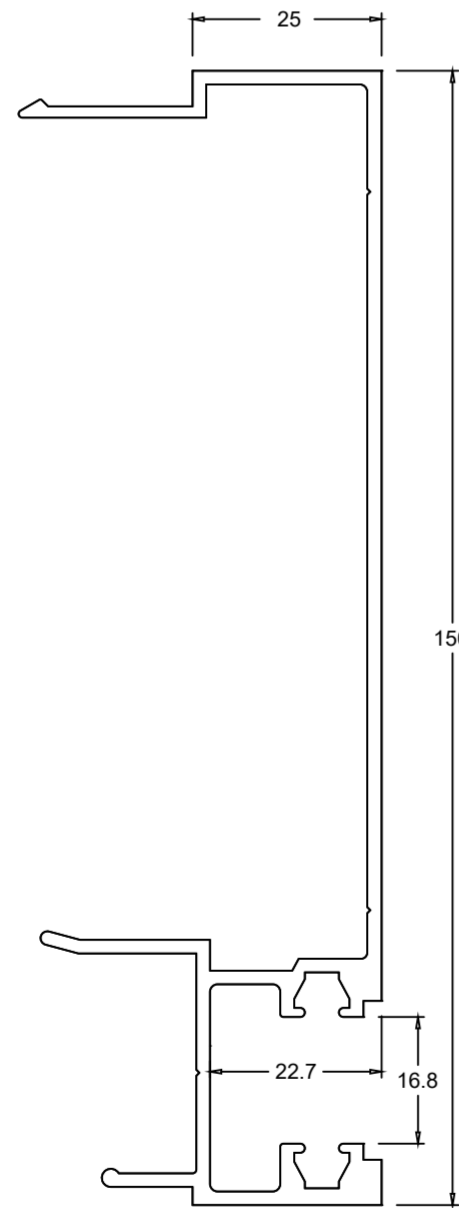
FGS406
POCKET FILLER



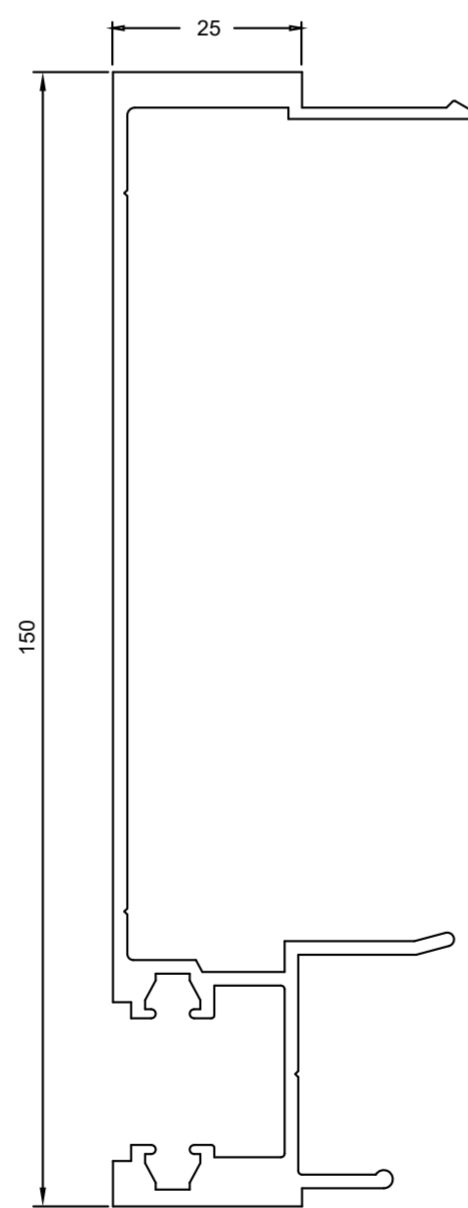
FGS602 TRANSOM SILL
*FGS403 EXTERNAL BEAD



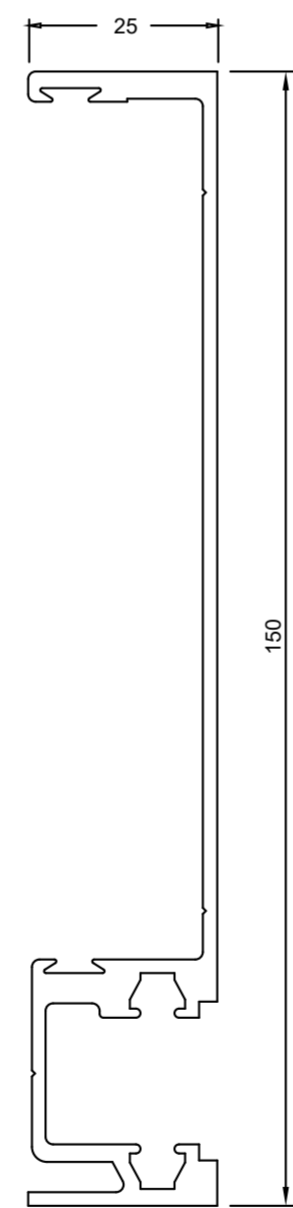
FGS627
SPLIT MULLION FEMALE



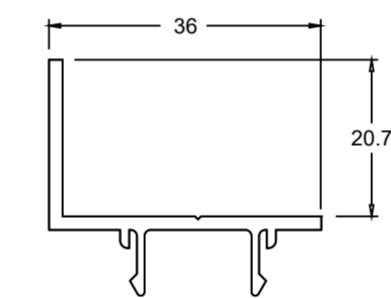
FGS628
SPLIT MULLION MALE



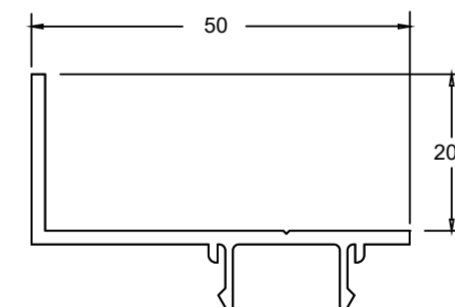
FGS629
H/D SPLIT MULLION MALE



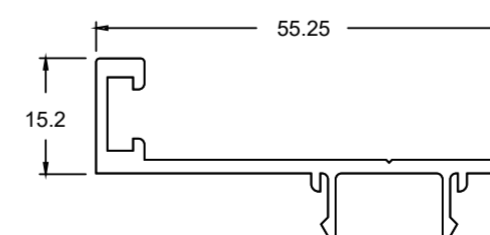
FGS630
H/D SPLIT MULLION FEMALE



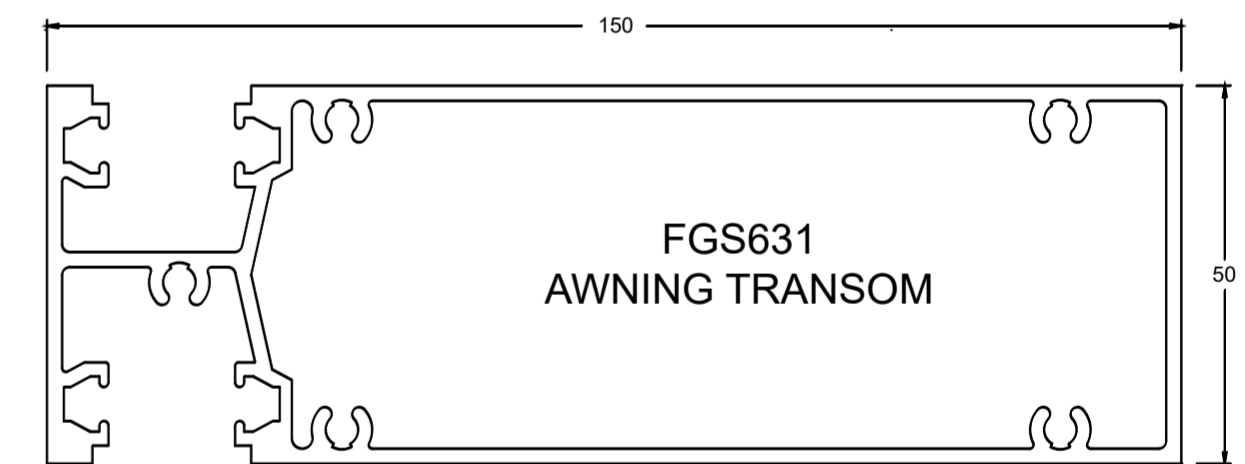
FGS416
35 AWNING STOP



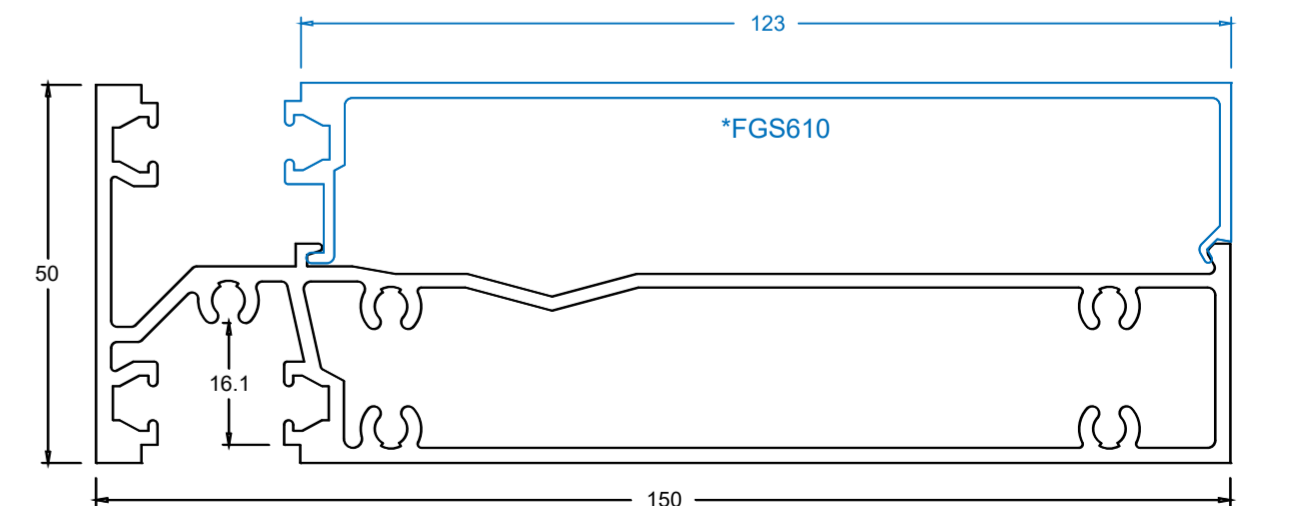
FGS419
50 AWNING STOP



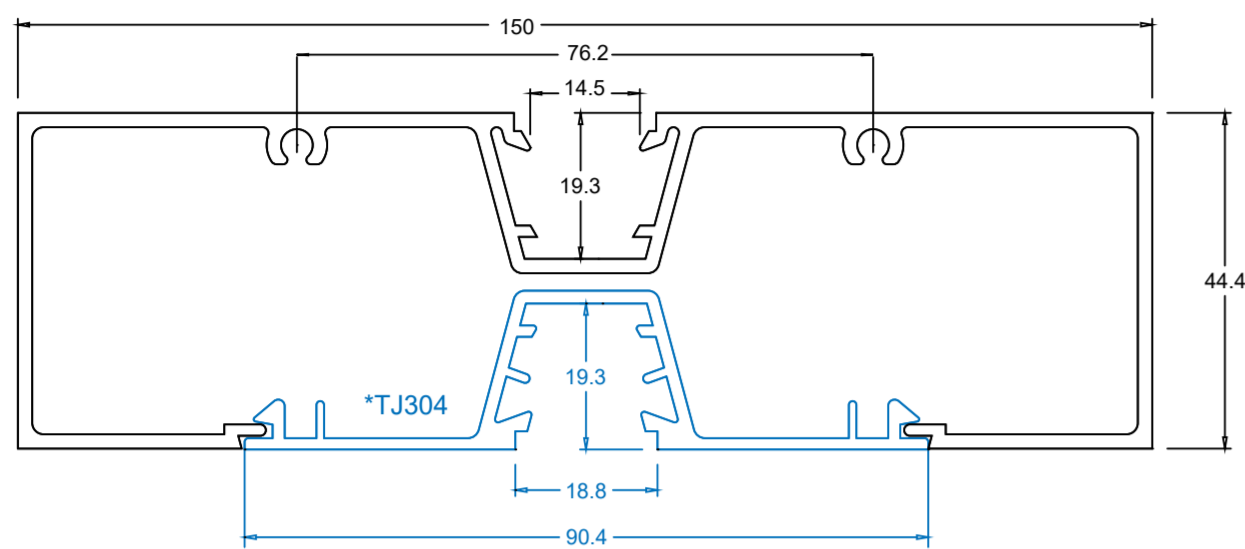
FGS407
45mm DOOR STOP



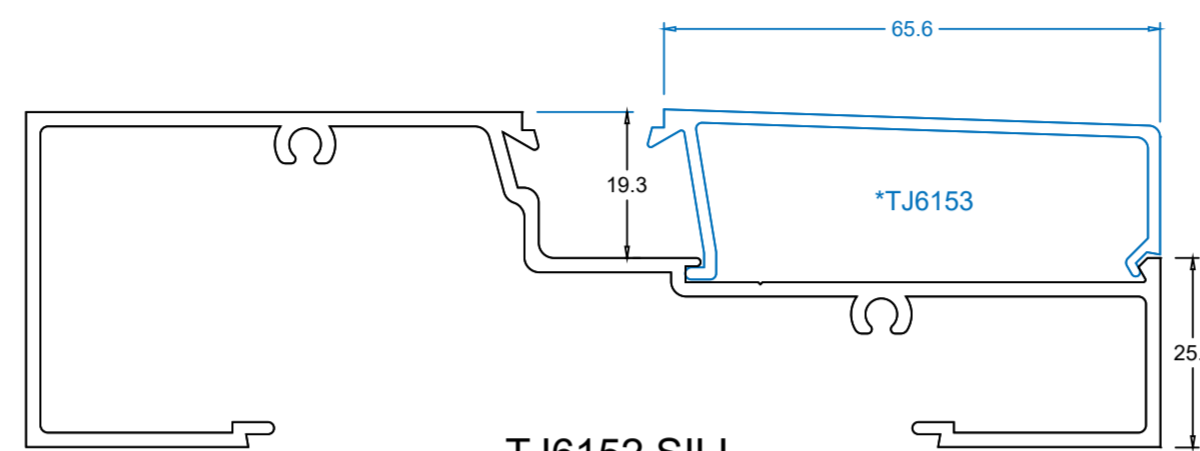
FGS631
AWNING TRANSOM



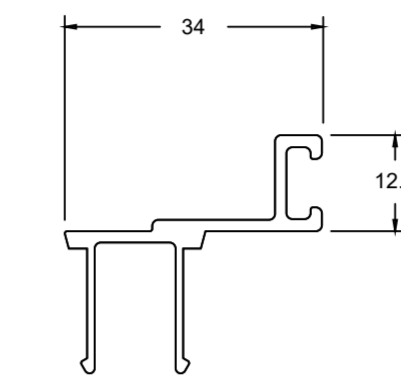
FGS632 TRANSOM SILL - INTERNAL BEAD
*FGS610 INTERNAL GLAZING BEAD



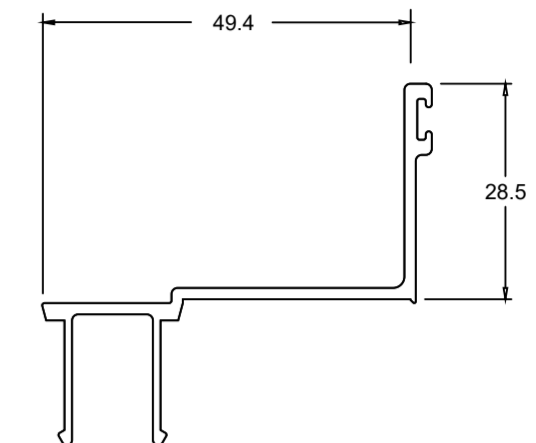
TJ6151 FRAME
*TJ304 GLAZING ADAPTOR



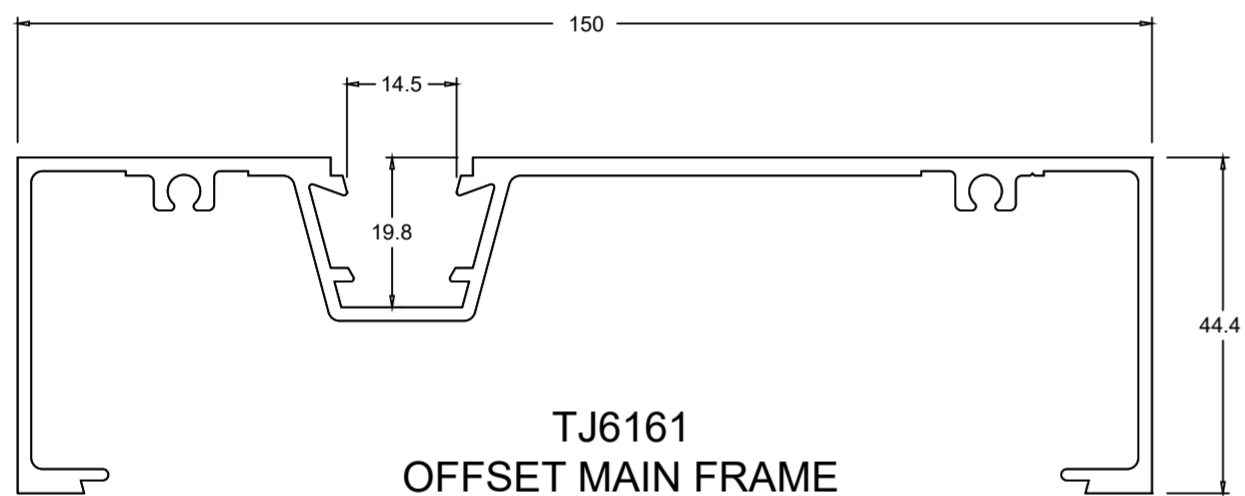
TJ6152 SILL
*TJ6153 BEAD



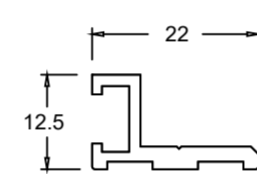
TJ6166
45mm DOOR STOP



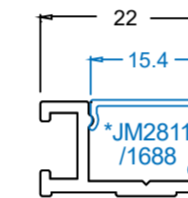
TJ6167
35 AWNING STOP



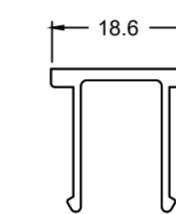
TJ6161
OFFSET MAIN FRAME



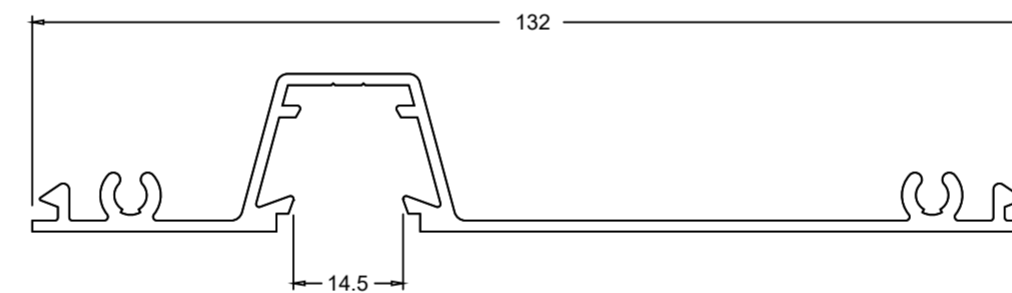
JM2809
DOOR STOP



JM2810 DOOR STOP
*JM2811 COVER
*1688 PVC COVER



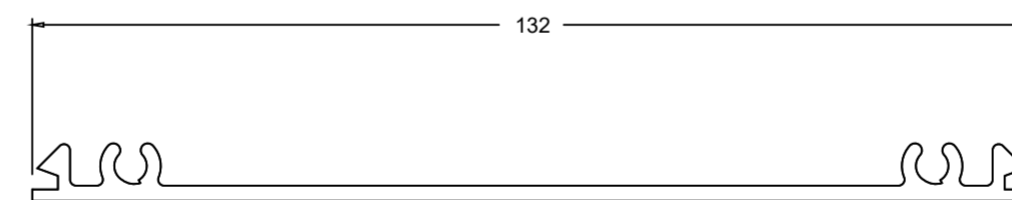
TJ307
POCKET FILLER



TJ6164
OFFSET ADAPTOR



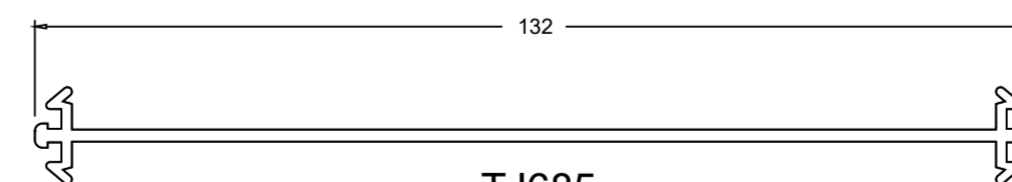
TJ6162 OFFSET SILL
*TJ303 BEAD



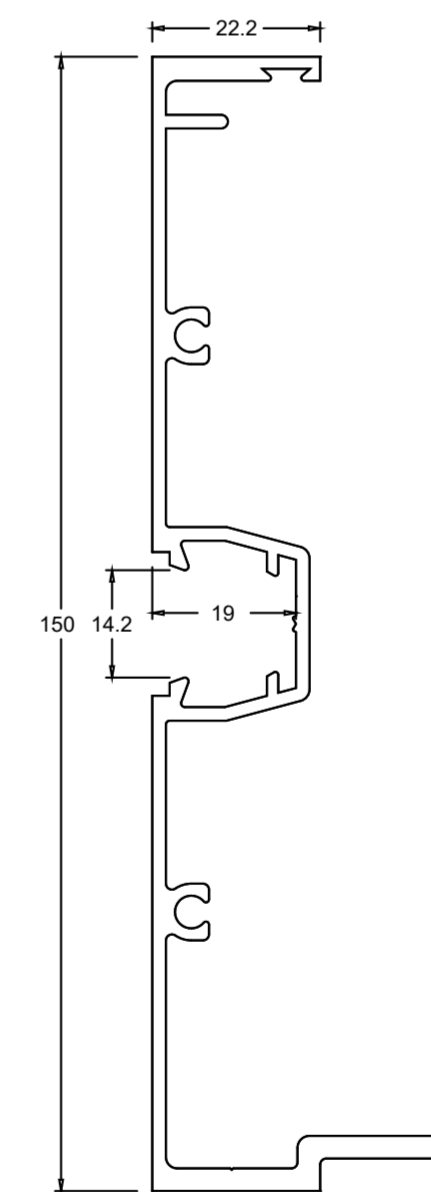
JM2865
FLAT FILLER



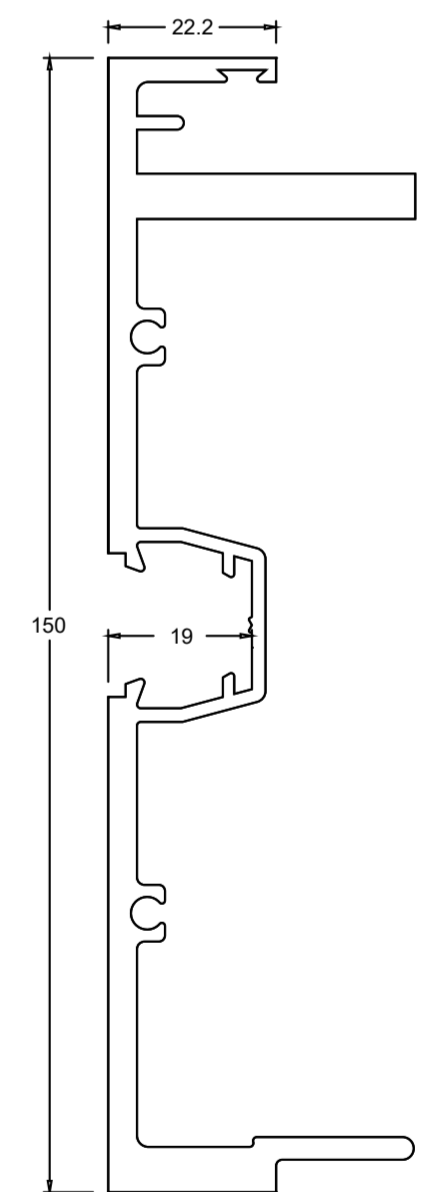
TJ6162 OFFSET SILL
*TJ303B BEAD



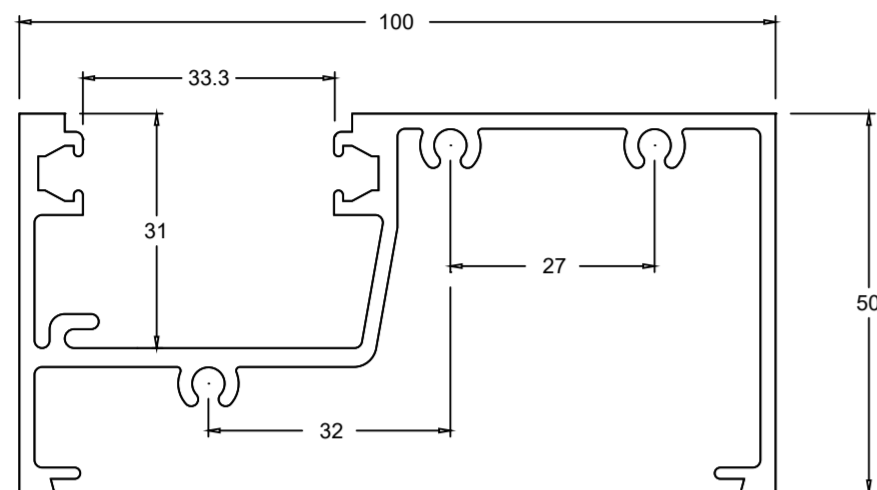
TJ685
BACK TO BACK ADAPTOR



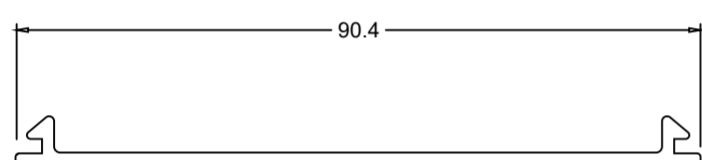
TJ6150
SELF MATING
MULLION



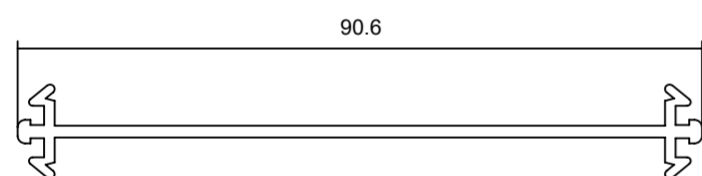
TJ6154
HD SELF MATING
MULLION



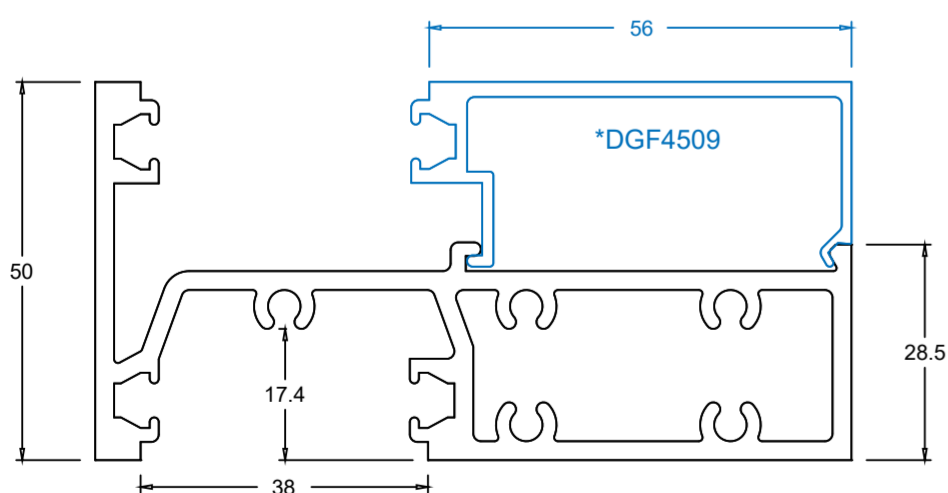
DGF4501
FRAME



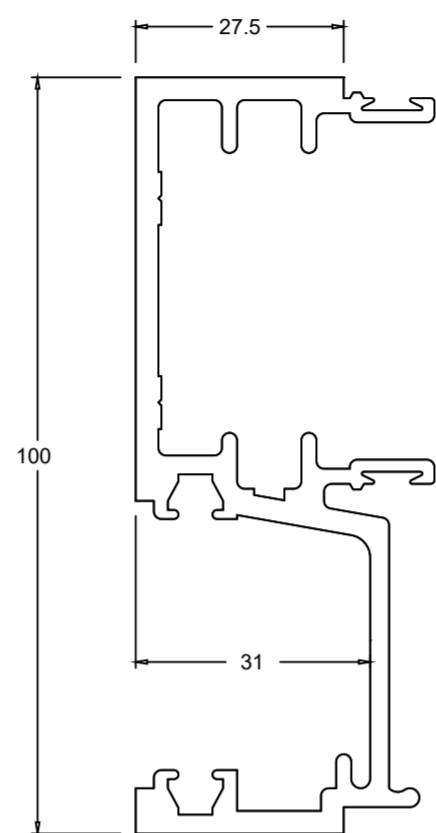
TJ305
FLUSH ADAPTOR



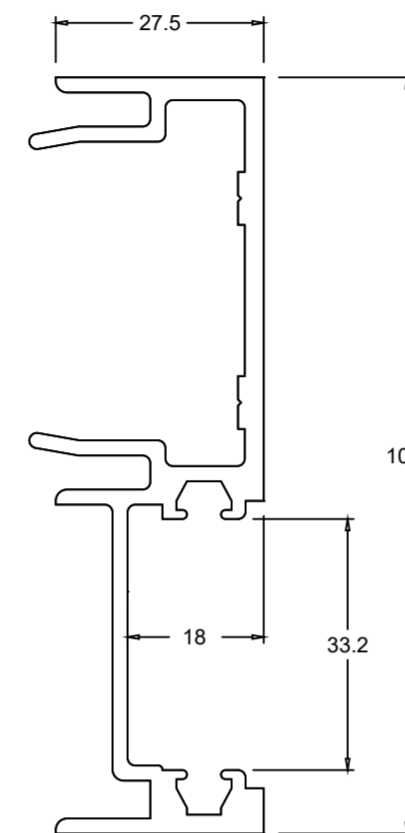
TJ385
BACK TO BACK ADAPTOR



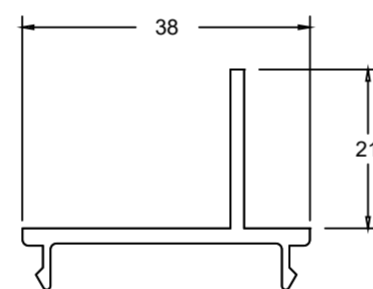
DGF4508 SILL
*DGF4509 BEAD



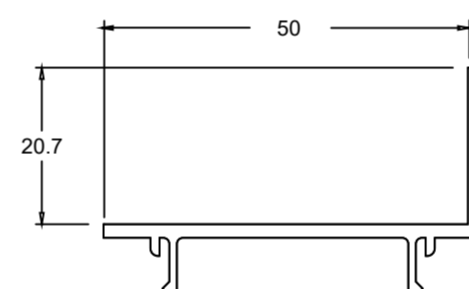
DGF4528
SPLIT MULLION MALE



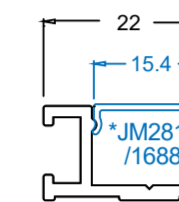
DGF4527
SPLIT MULLION FEMALE



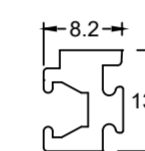
DGF4516
35 AWNING STOP



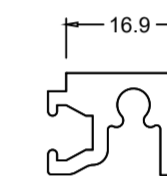
DGF4519
50 AWNING STOP



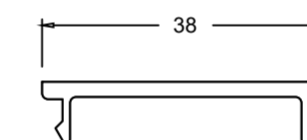
JM2810 DOOR STOP
*JM2811 COVER
1688 PVC COVER



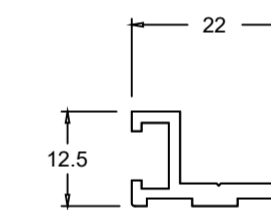
CDG4308
POCKET REDUCER



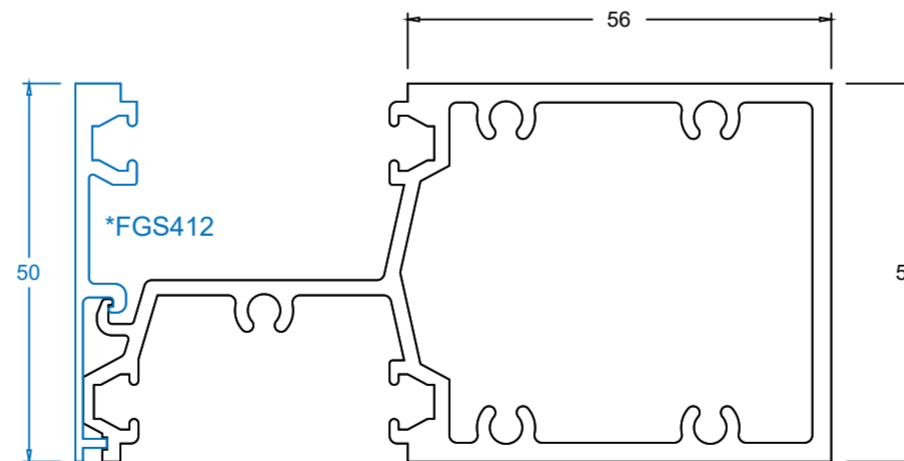
DGF4510
REDUCER



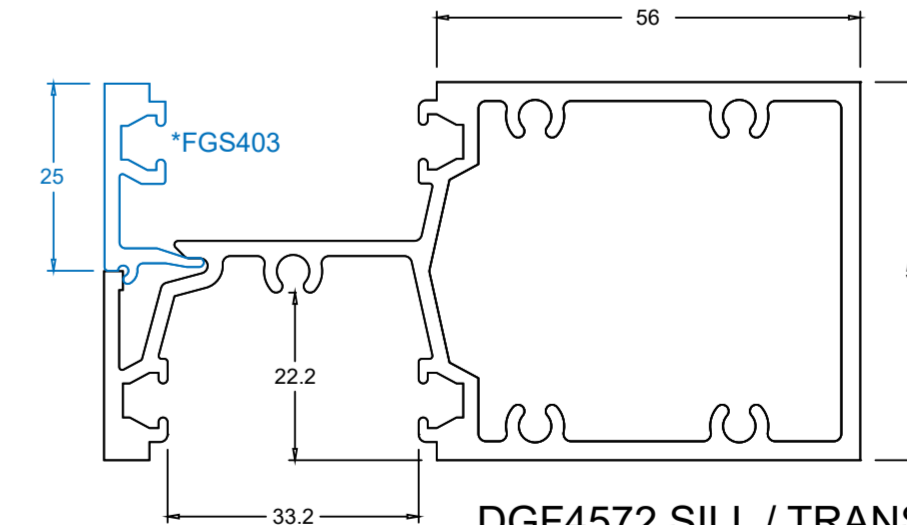
DGF4506
POCKET INFILL



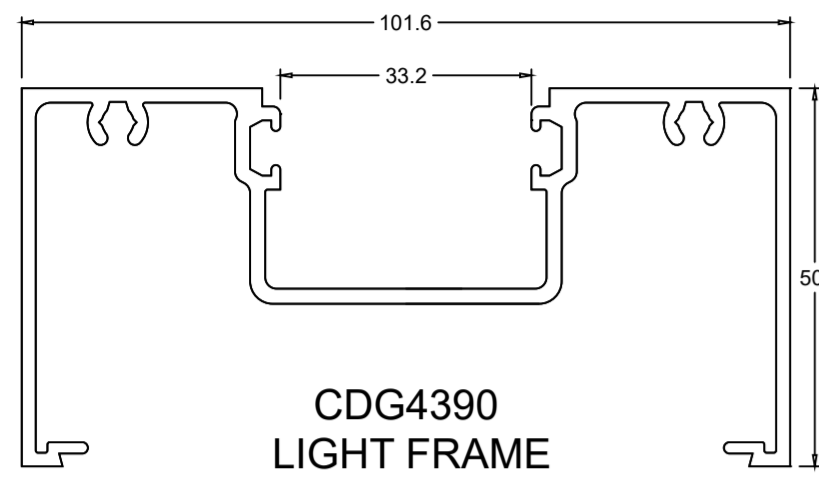
JM2809
DOOR STOP



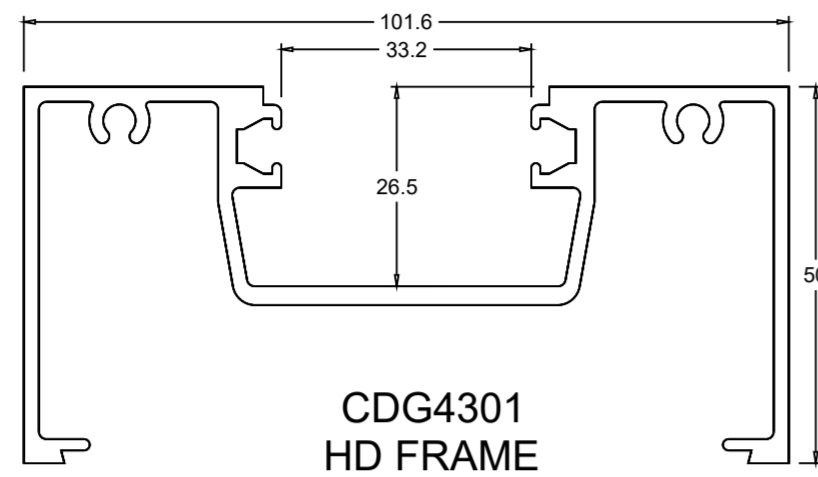
DGF4571 SILL / TRANSOM
*FGS412 FACE BEAD



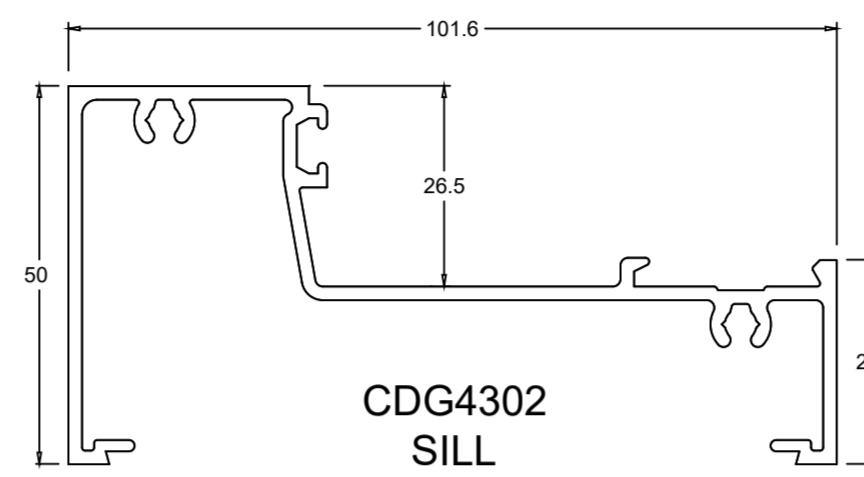
DGF4572 SILL / TRANSOM
*FGS403 BEAD



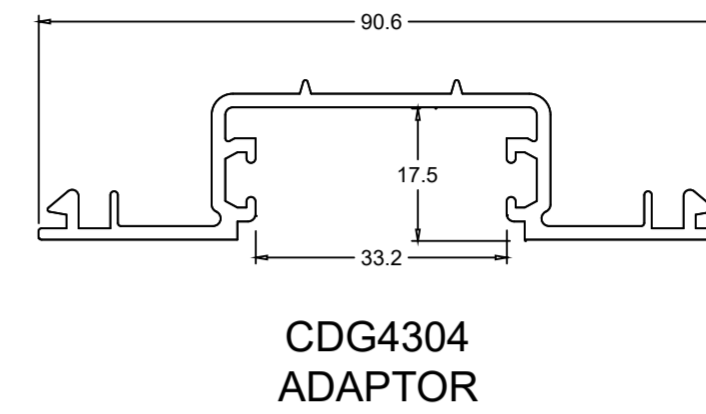
CDG4390
LIGHT FRAME



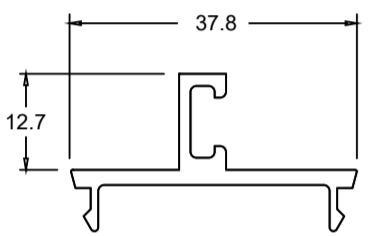
CDG4301
HD FRAME



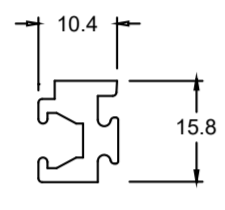
CDG4302
SILL



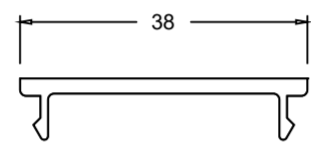
CDG4304
ADAPTOR



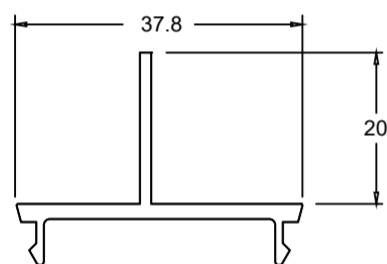
CDG4307
45MM DOOR STOP



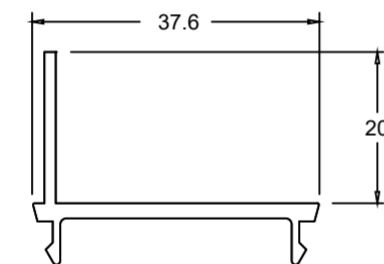
CDG4308
REDUCER



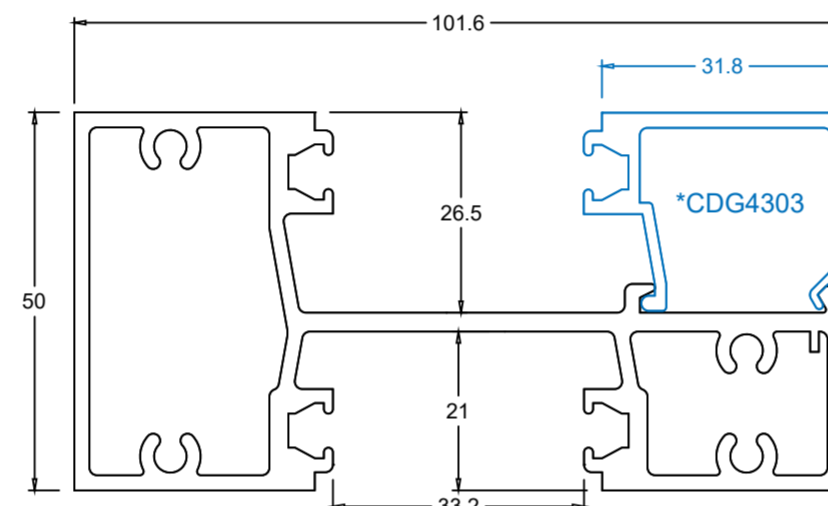
DGF4506
POCKET INFILL



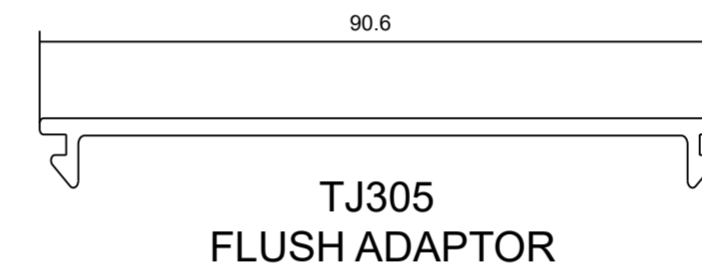
CDG4319
50 AWNING STOP



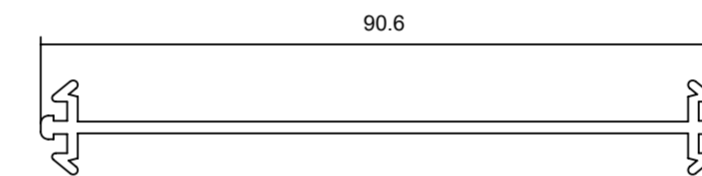
CDG4416
35 AWNING STOP



CDG4309 TRANSOM / SILL
*CDG4303 SILL BEAD

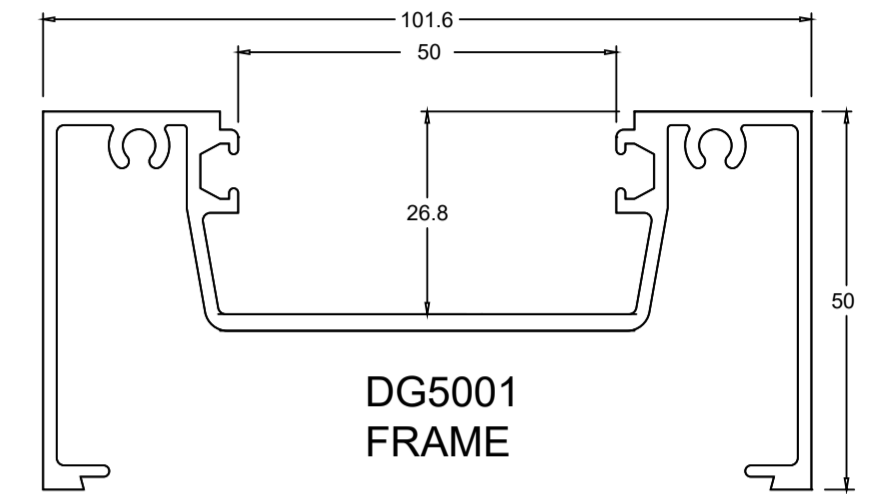


TJ305
FLUSH ADAPTOR

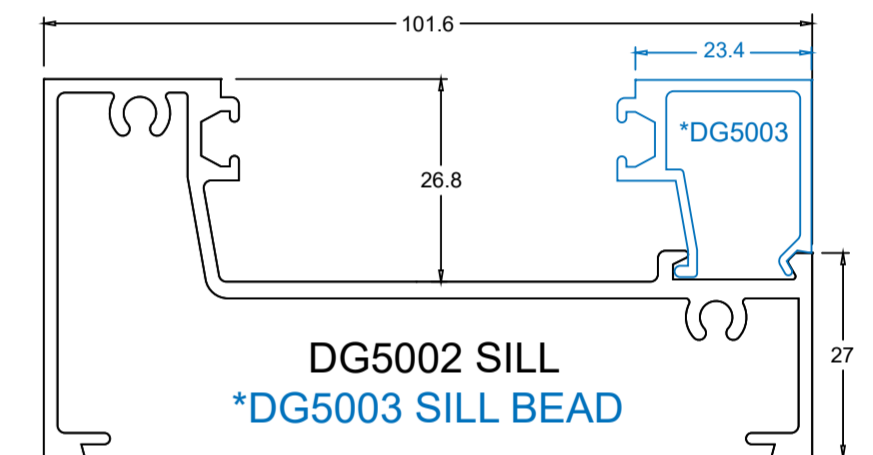


TJ385
BACK TO BACK ADAPTOR

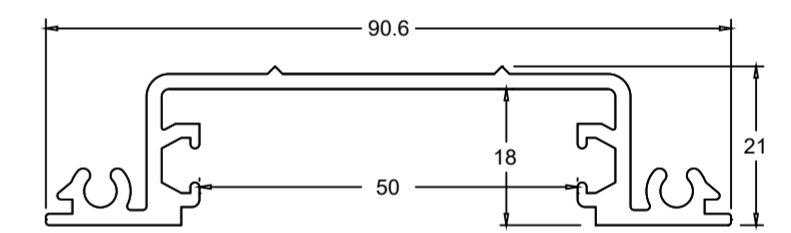
101.6 mm x 50 mm
CENTRE DOUBLE GLAZED
- 50 mm POCKET



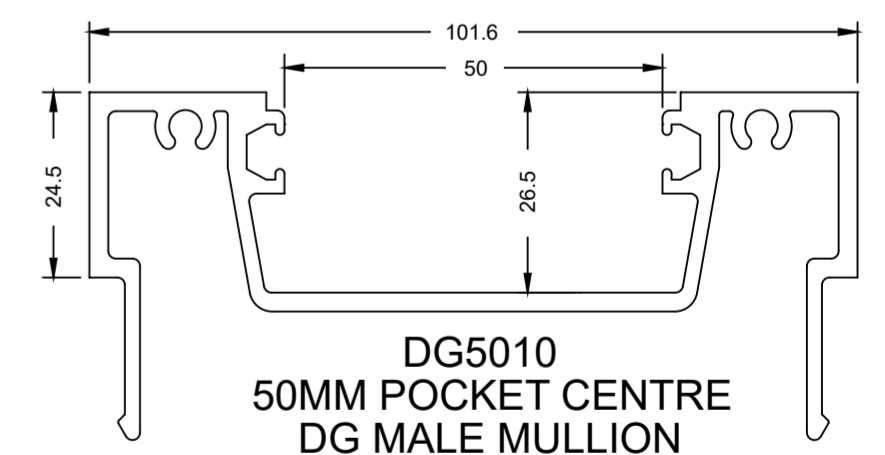
DG5001
FRAME



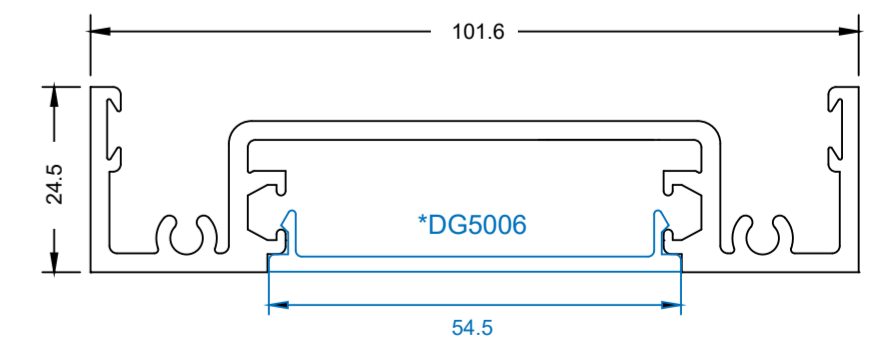
DG5002 SILL
*DG5003 SILL BEAD



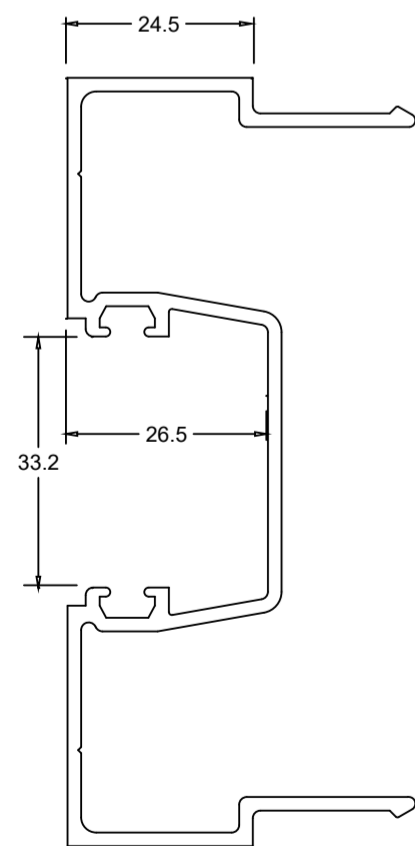
DG5004 ADAPTOR



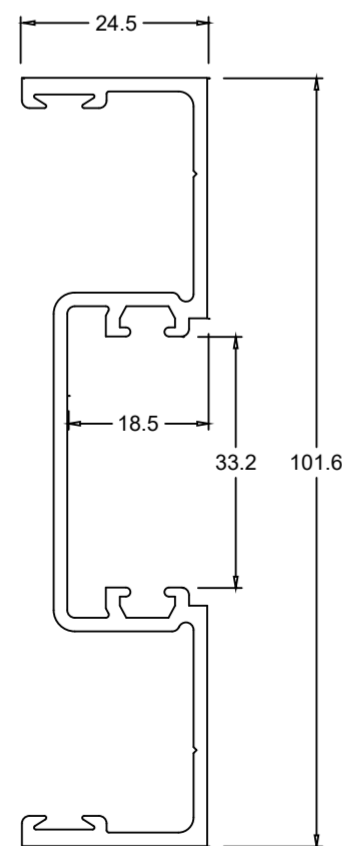
DG5010
50MM POCKET CENTRE
DG MALE MULLION



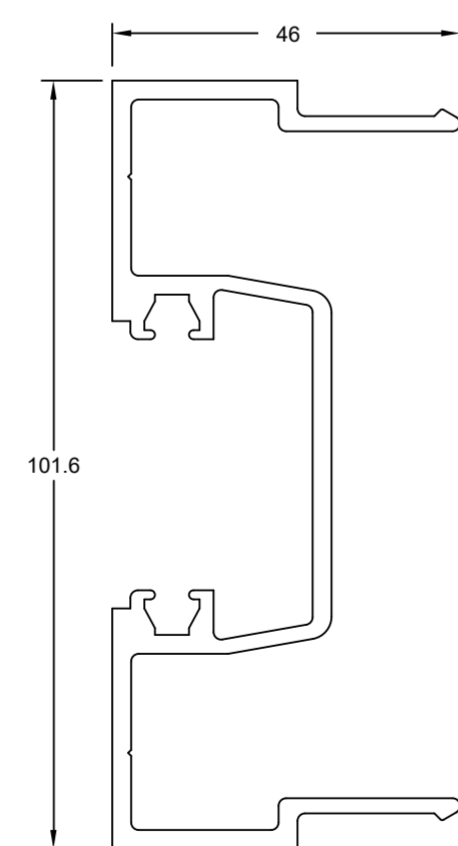
DG5011 50MM POCKET CENTRE
DG FEMALE MULLION
* DG5006 POCKET INFILL



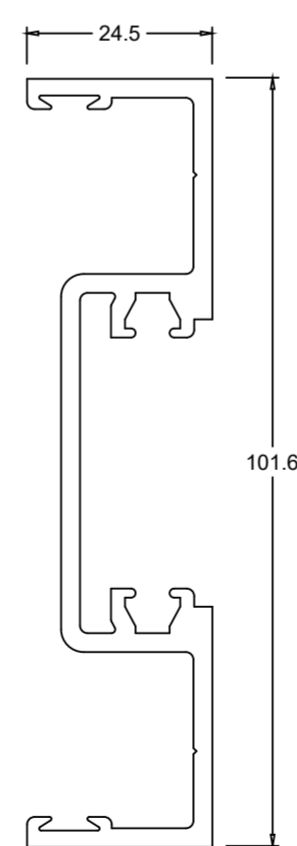
CDG4314
LIGHT SPLIT
MULLION MALE



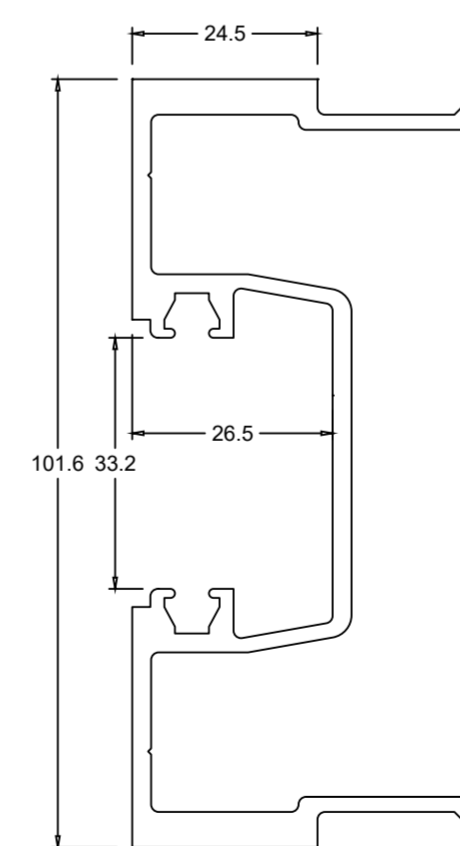
CDG4315
LIGHT SPLIT
MULLION FEMALE



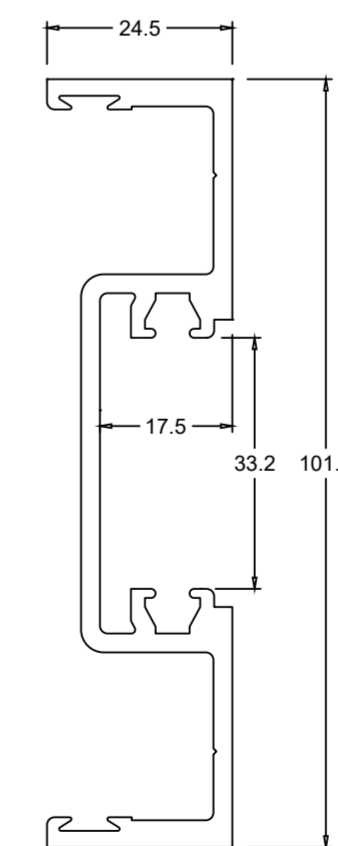
CDG4310
SPLIT MULLION MALE



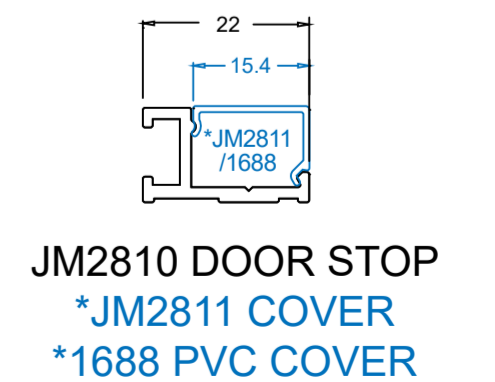
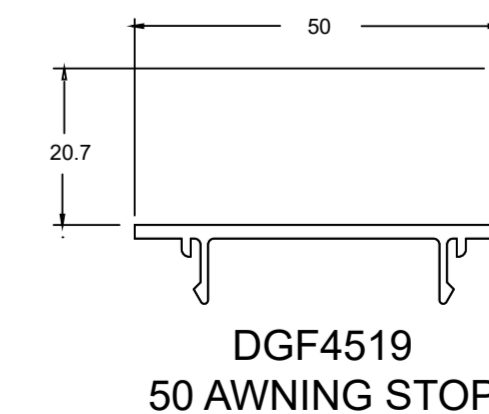
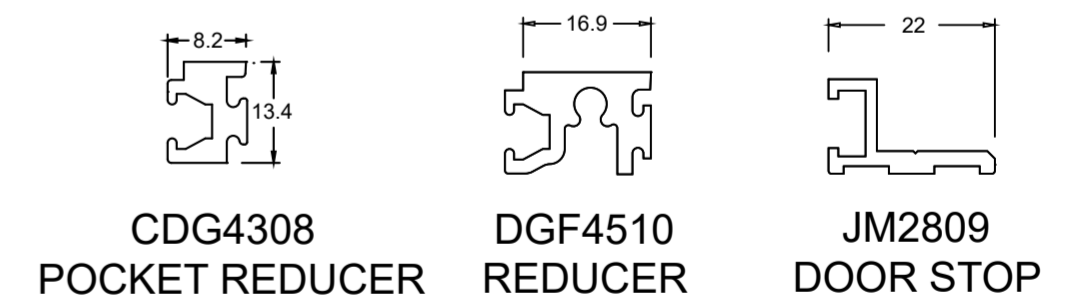
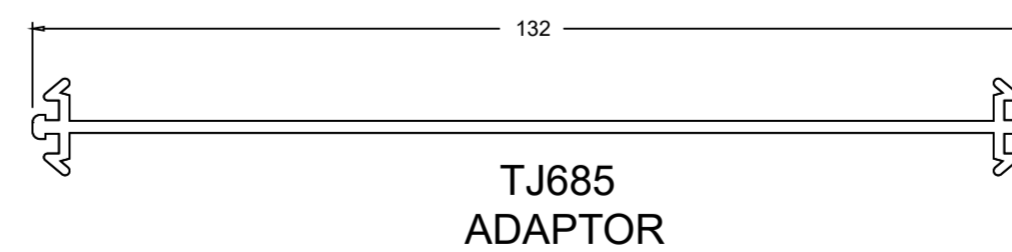
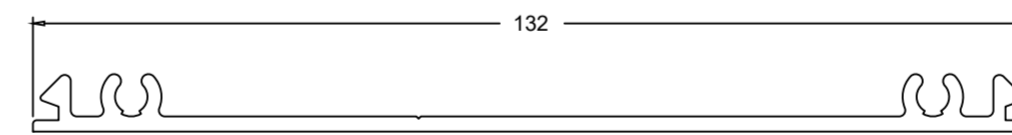
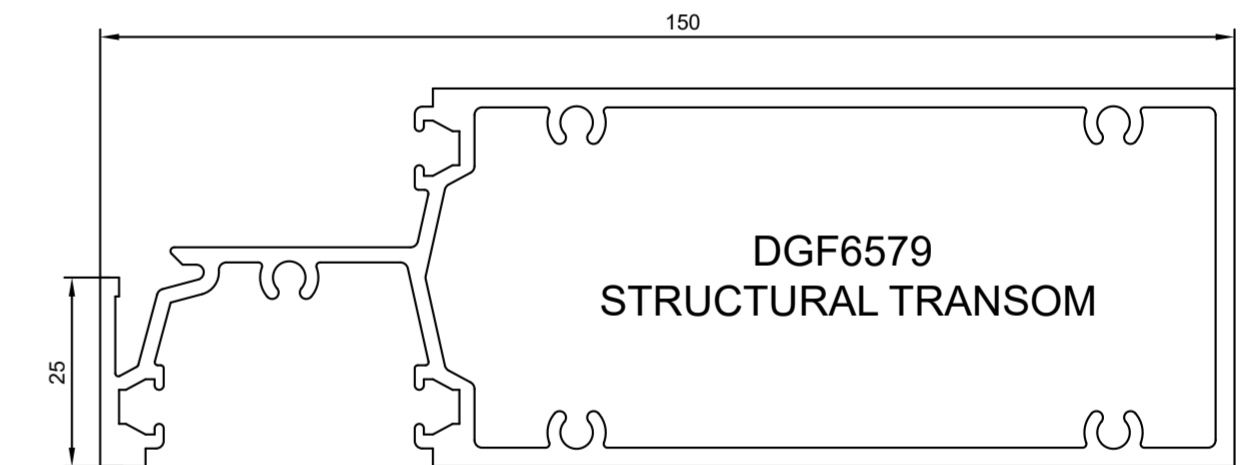
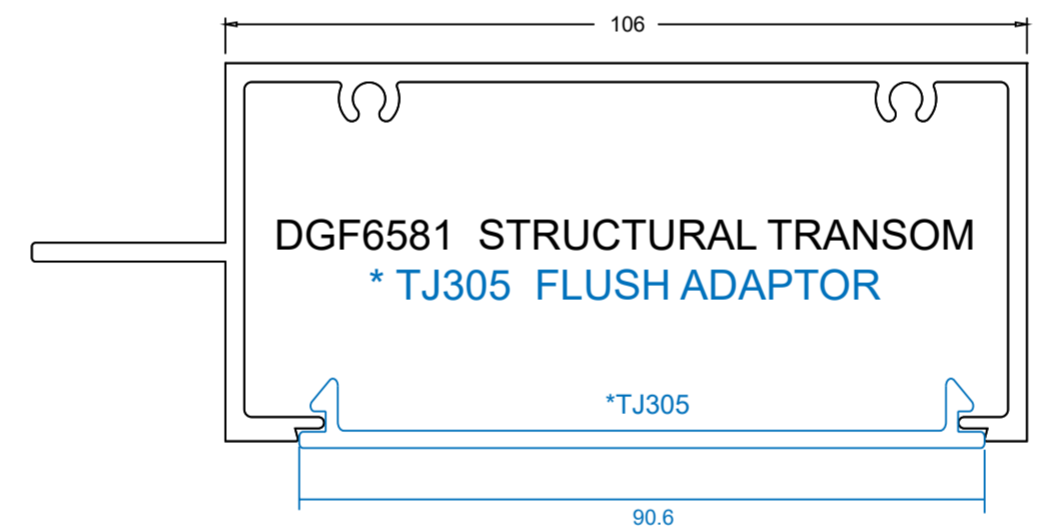
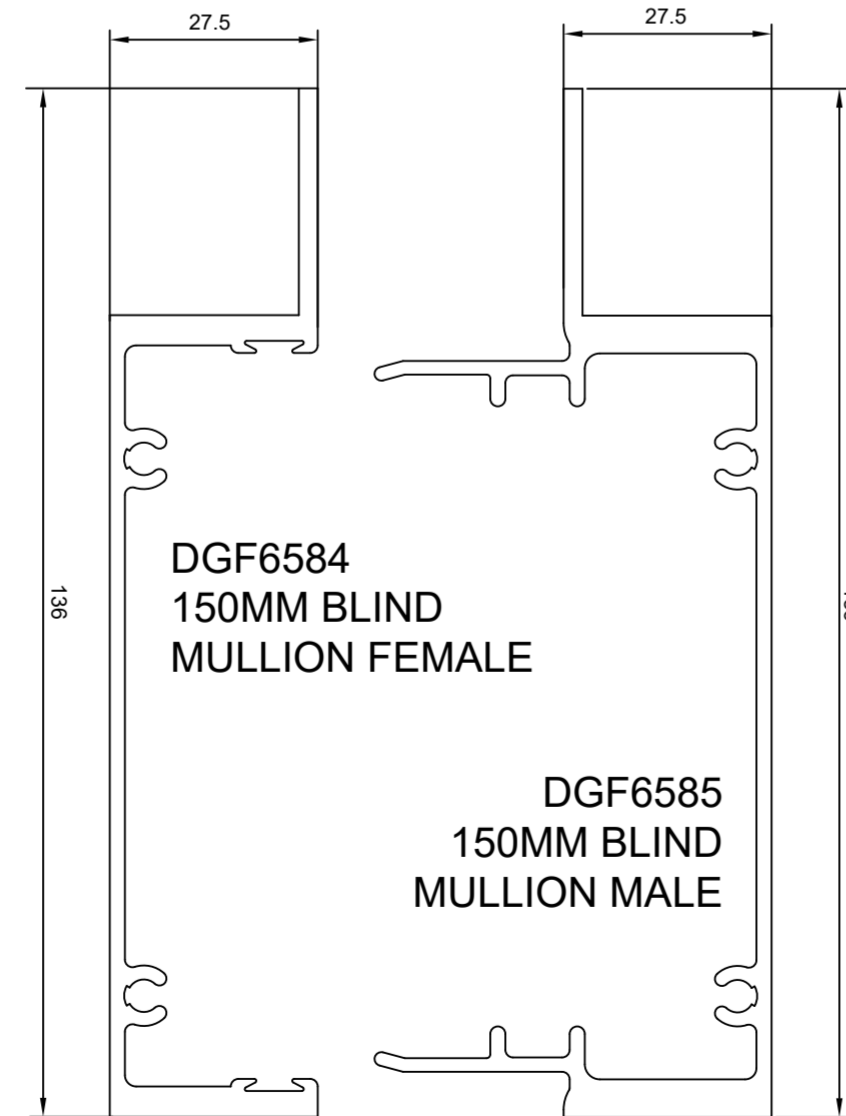
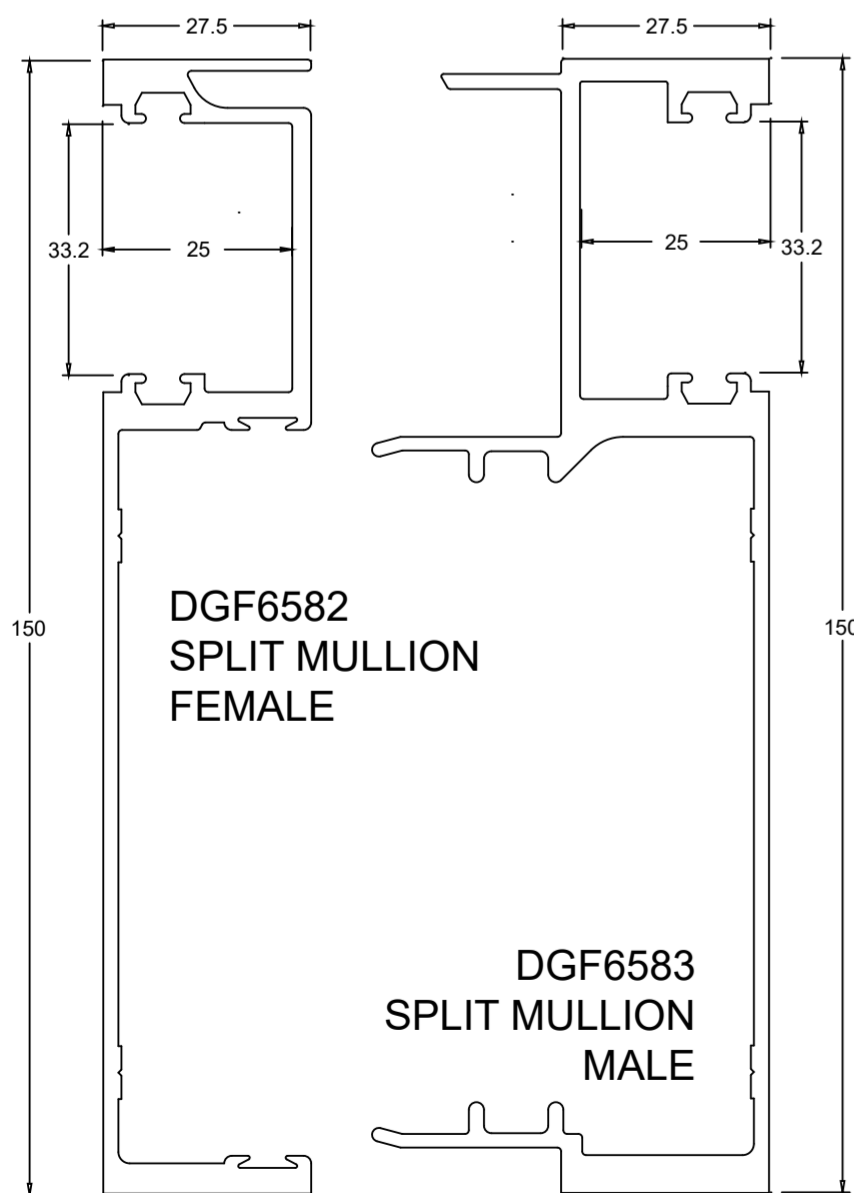
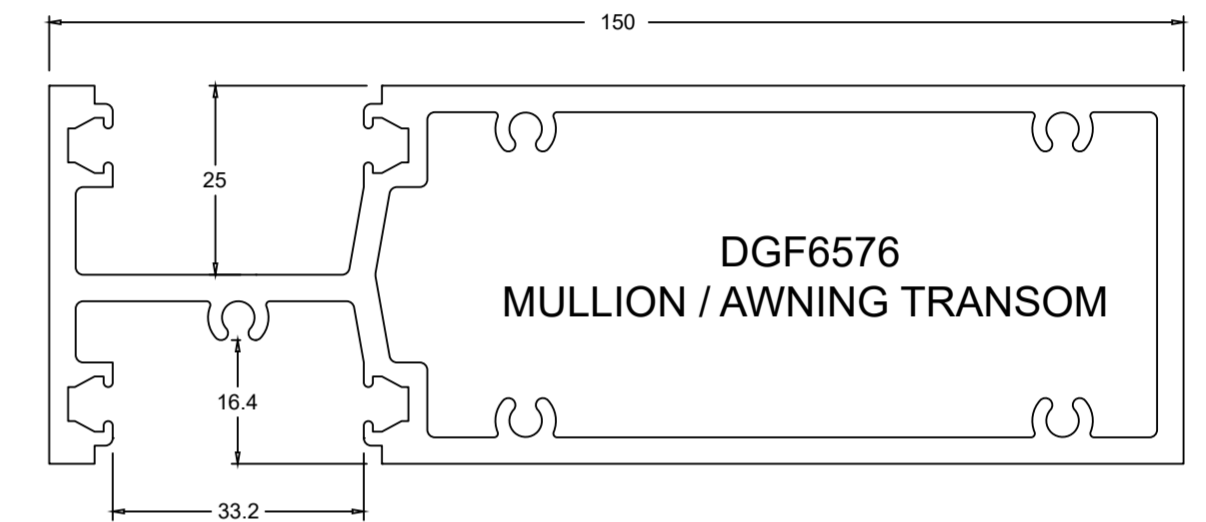
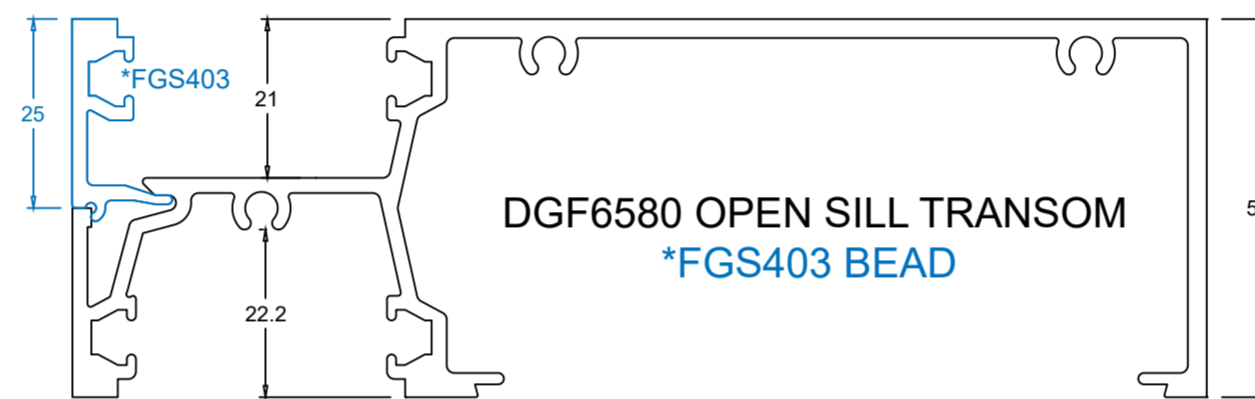
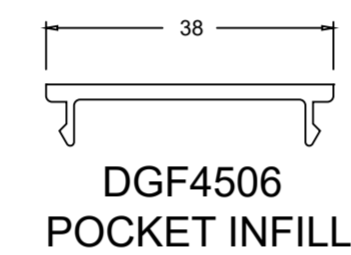
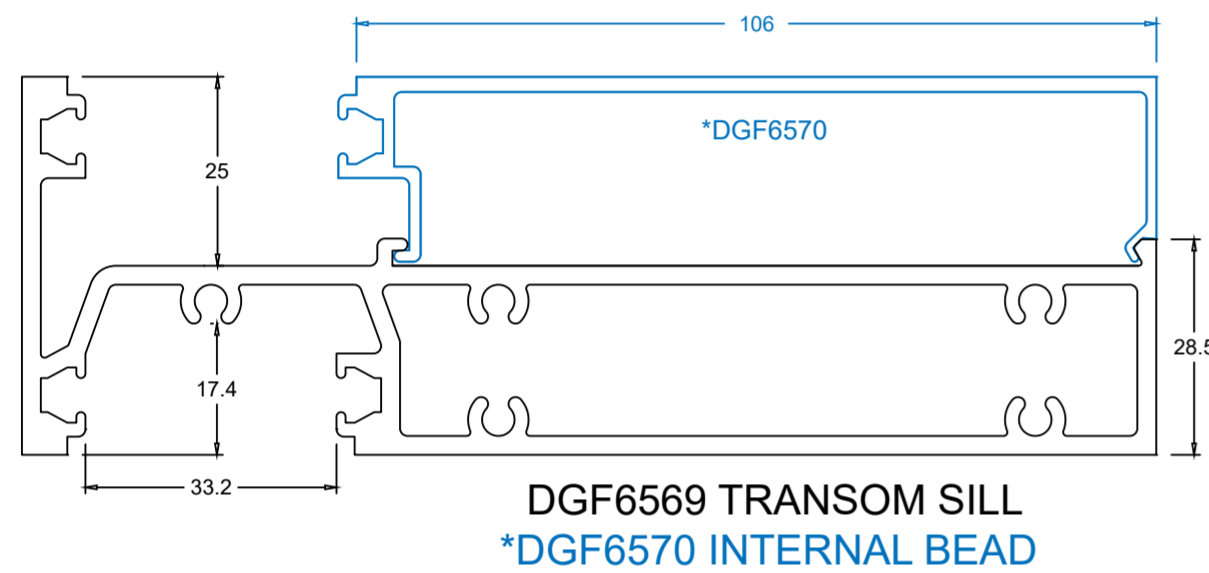
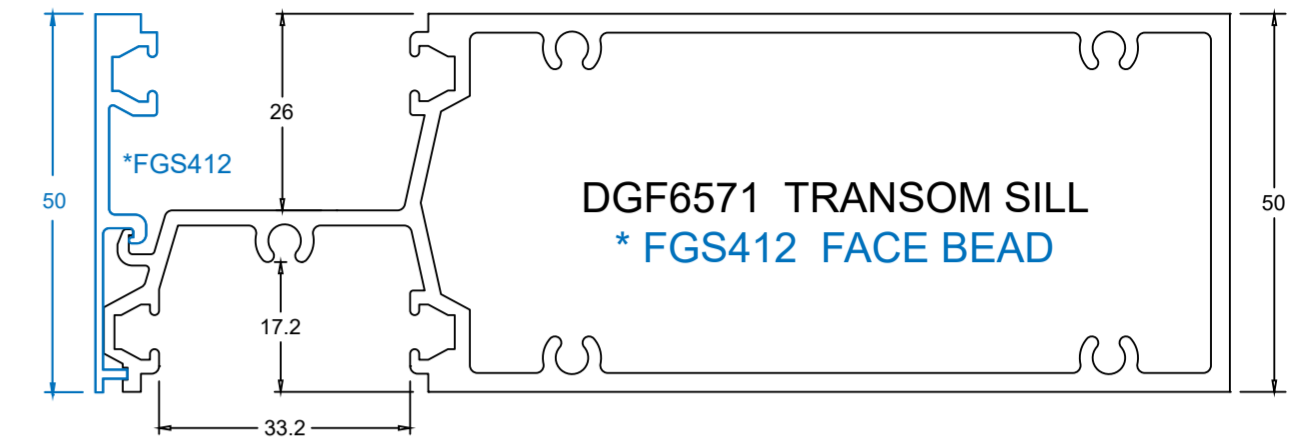
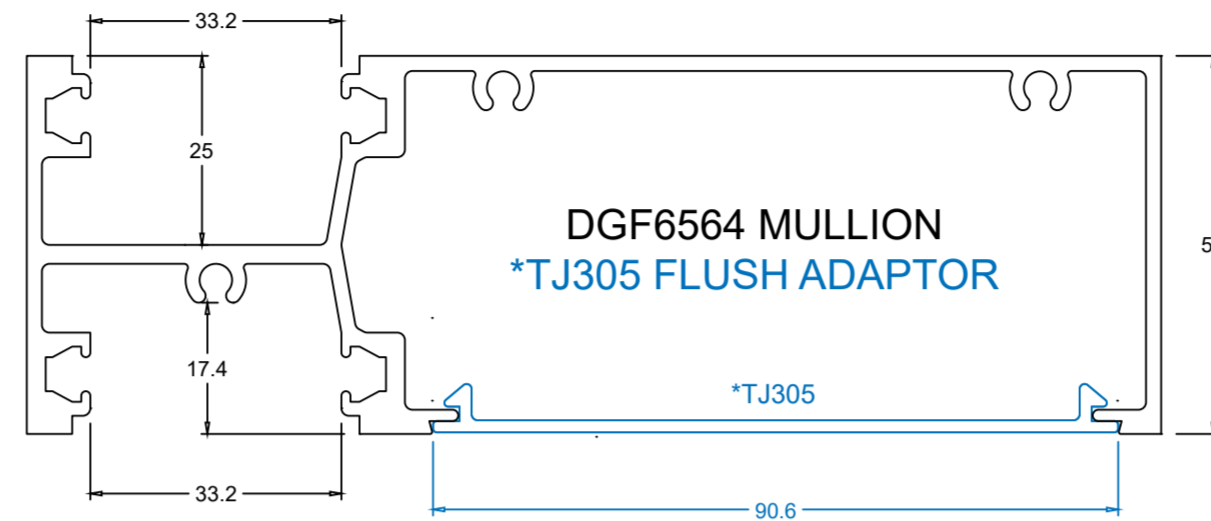
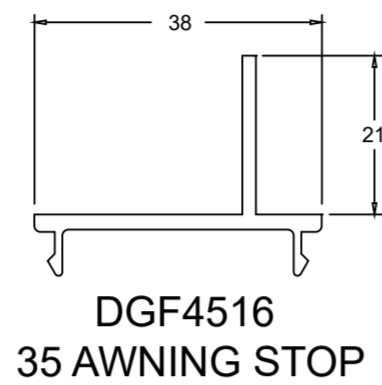
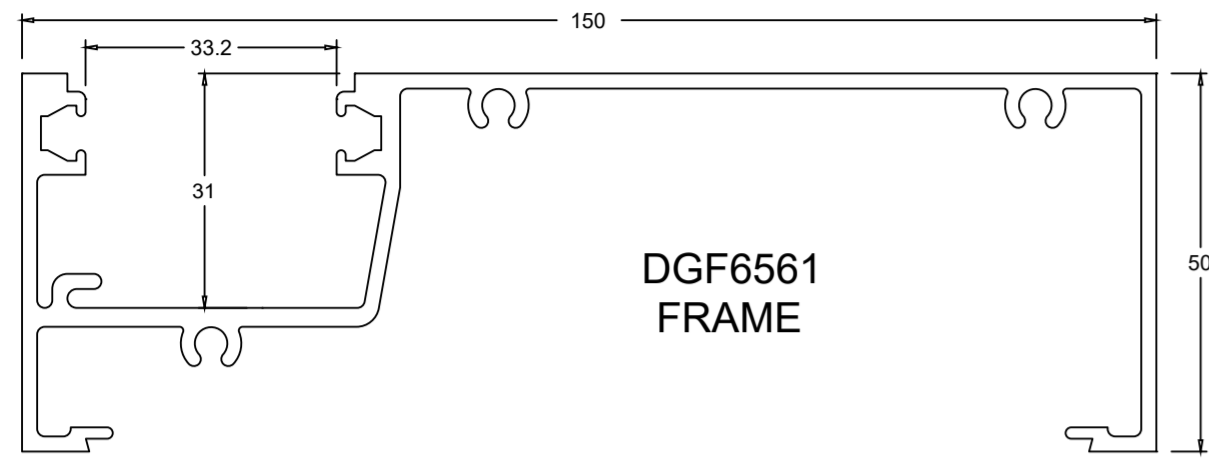
CDG4311
SPLIT MULLION FEMALE

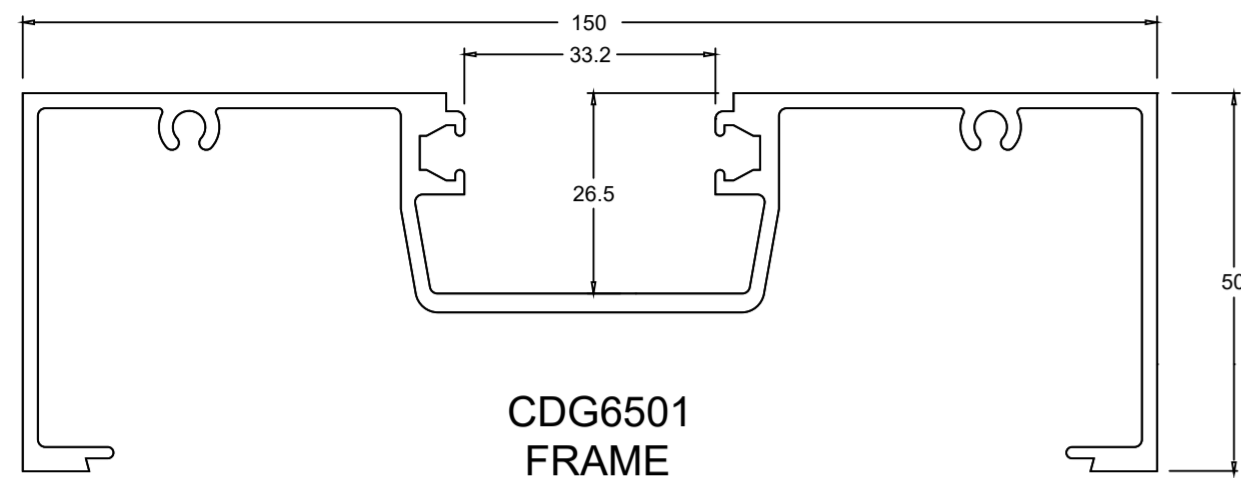


CDG4412
H/D SPLIT
MULLION MALE

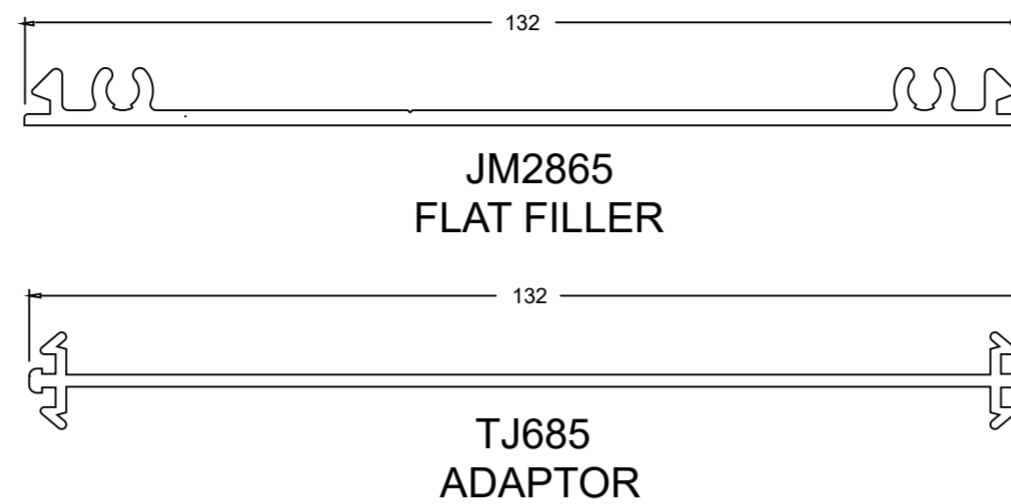


CDG4413
H/D SPLIT
MULLION FEMALE



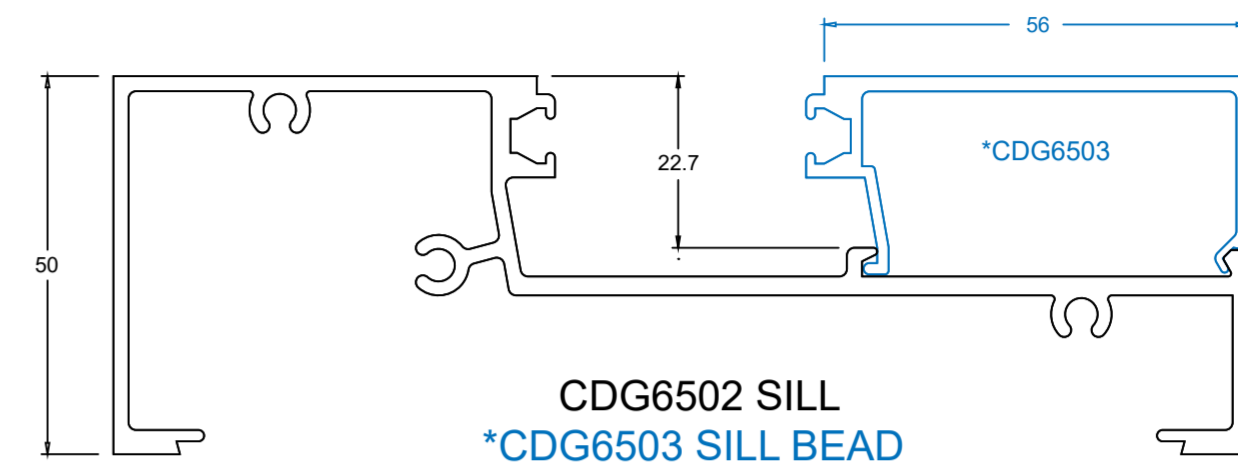


CDG6501
FRAME

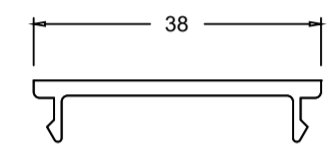


JM2865
FLAT FILLER

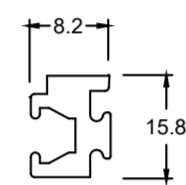
TJ685
ADAPTOR



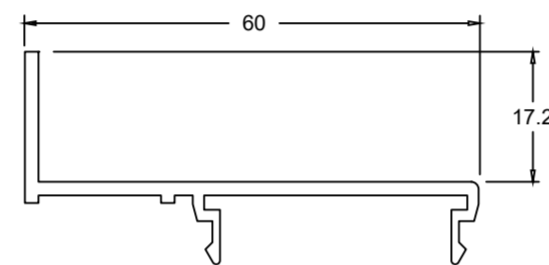
CDG6502 SILL
*CDG6503 SILL BEAD



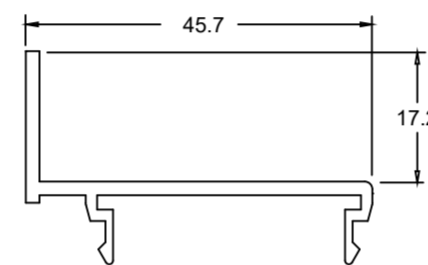
DGF4506
POCKET INFILL



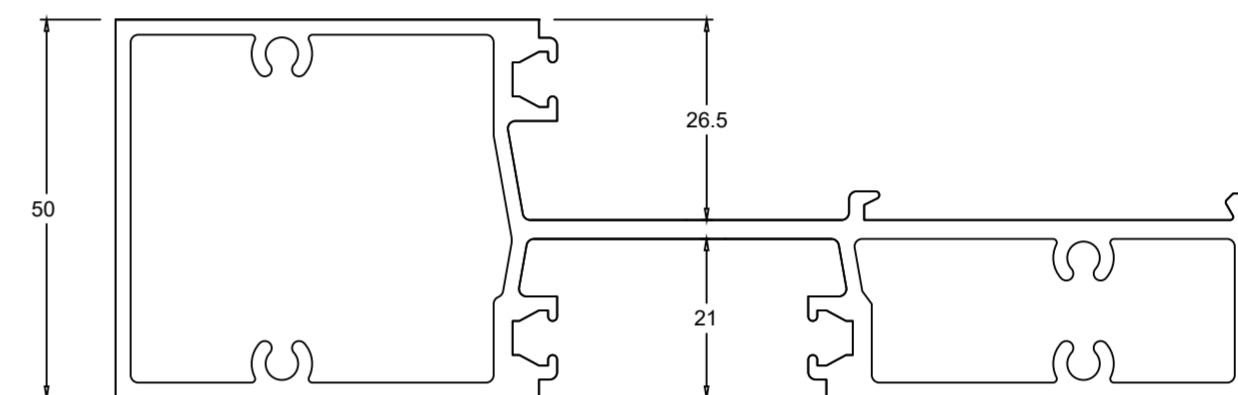
CDG4308
REDUCER



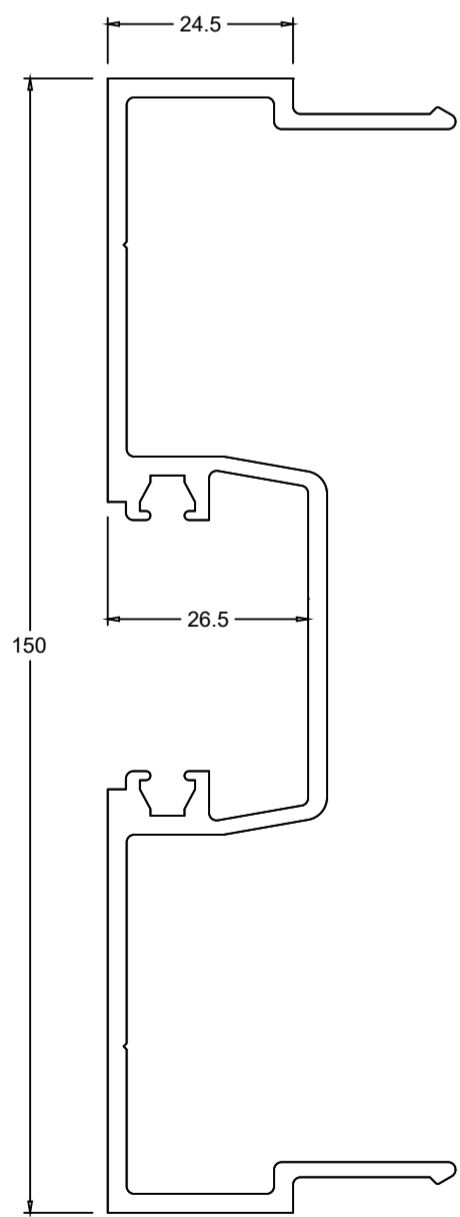
CDG6516
35 AWNING STOP



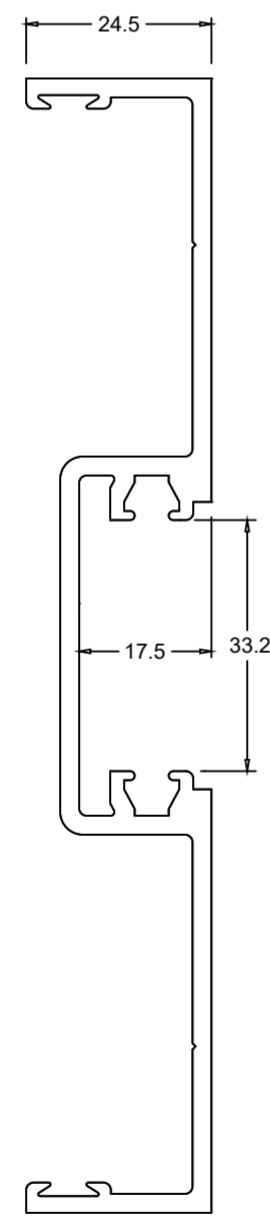
CDG6519
50 AWNING STOP



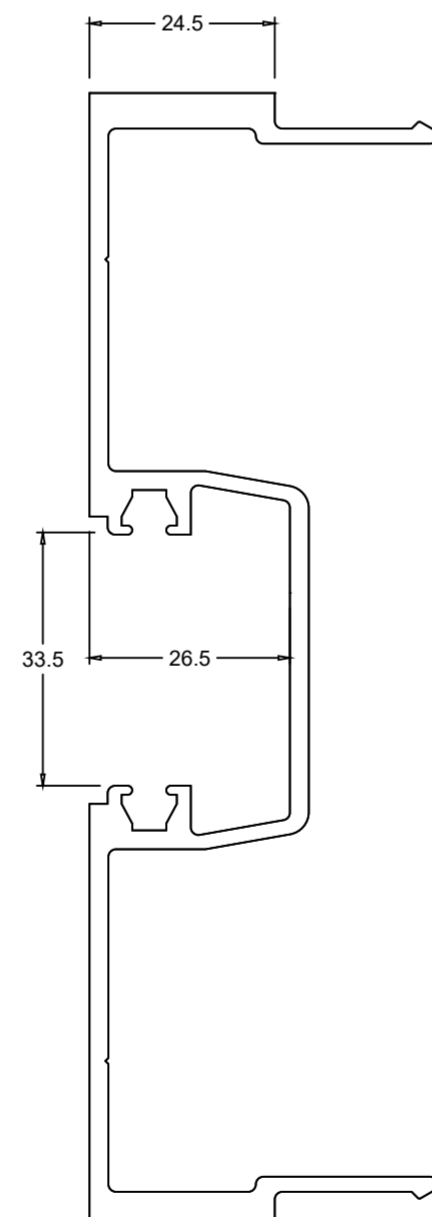
CDG6509
TRANSOM / SILL



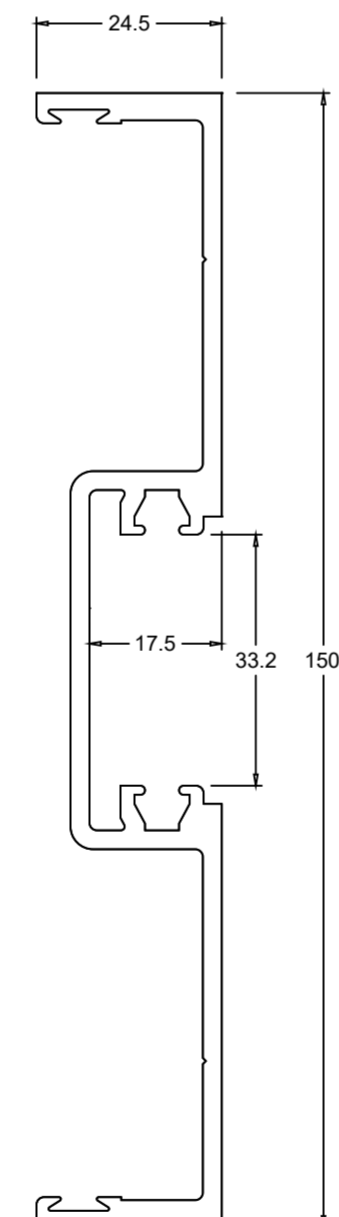
CDG6510
SPLIT
MULLION MALE



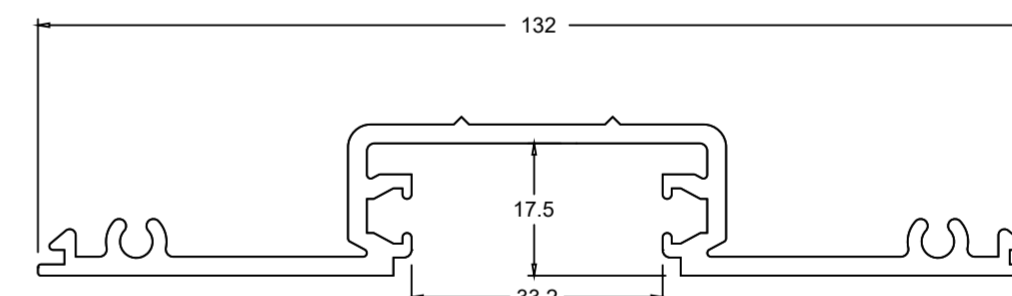
CDG6511
SPLIT
MULLION FEMALE



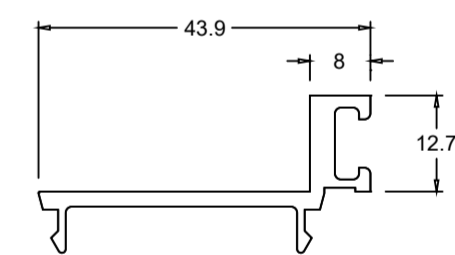
CDG6512
H/D SPLIT
MULLION MALE



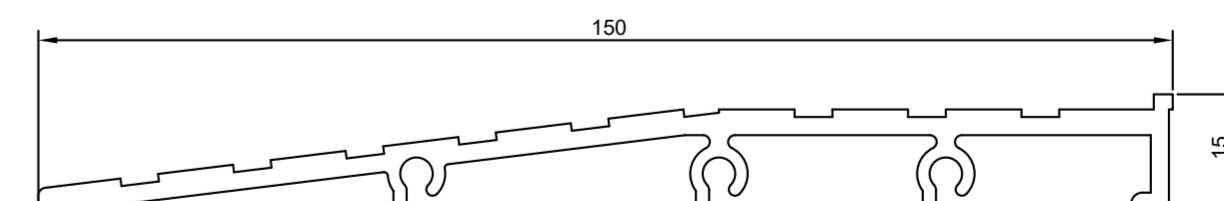
CDG6513
H/D SPLIT
MULLION FEMALE



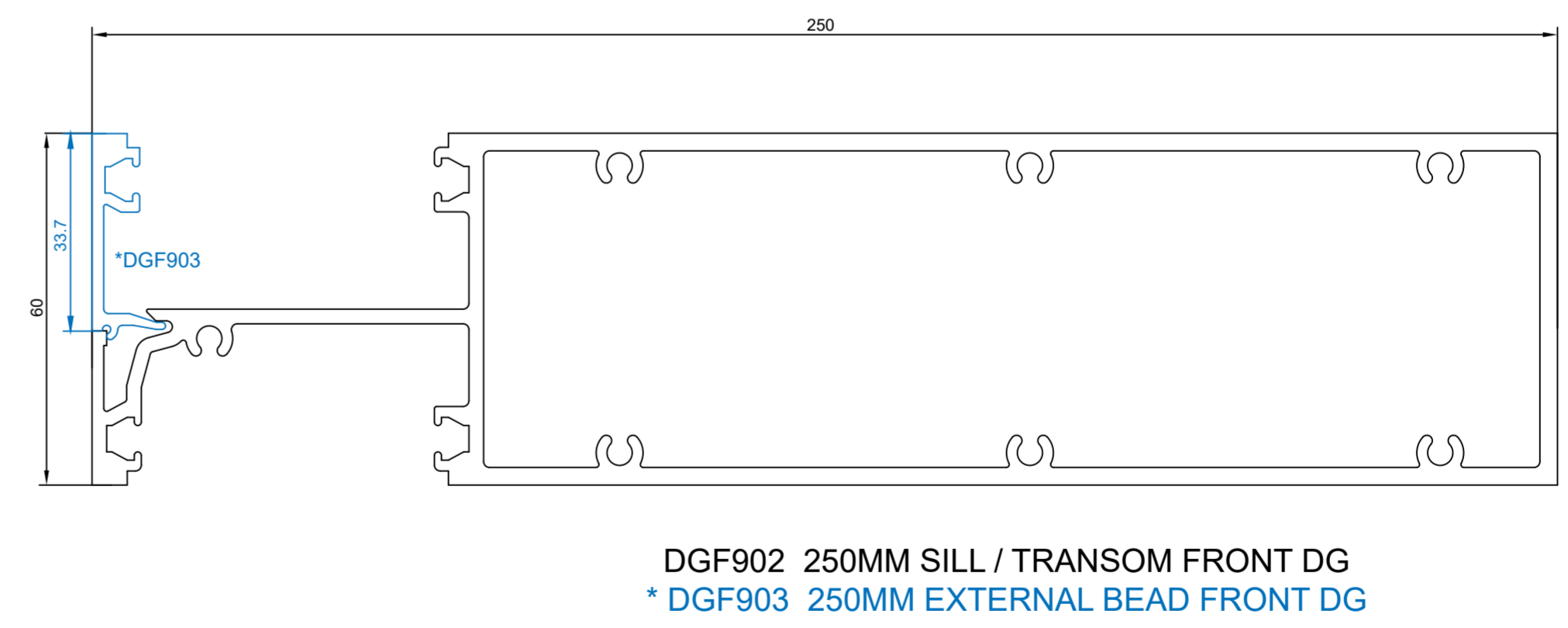
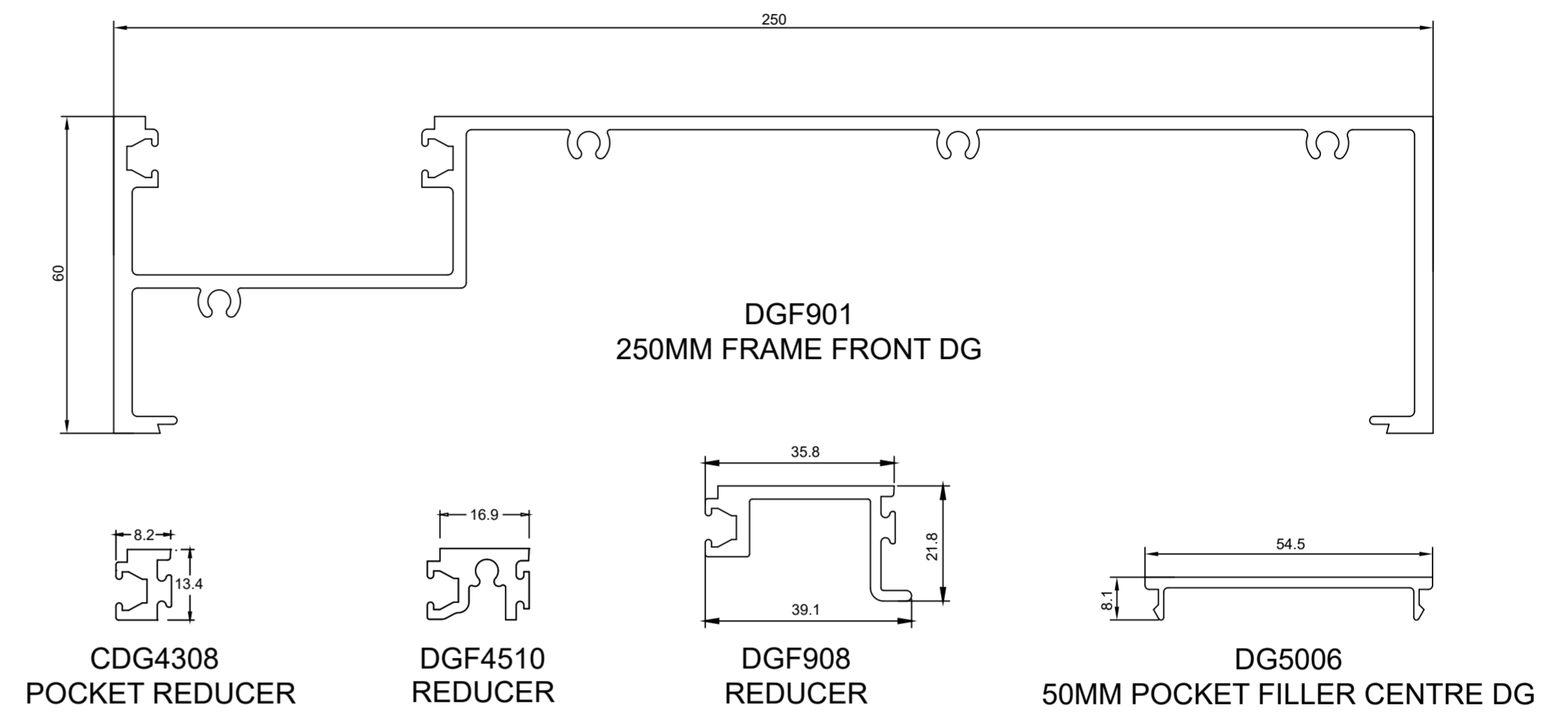
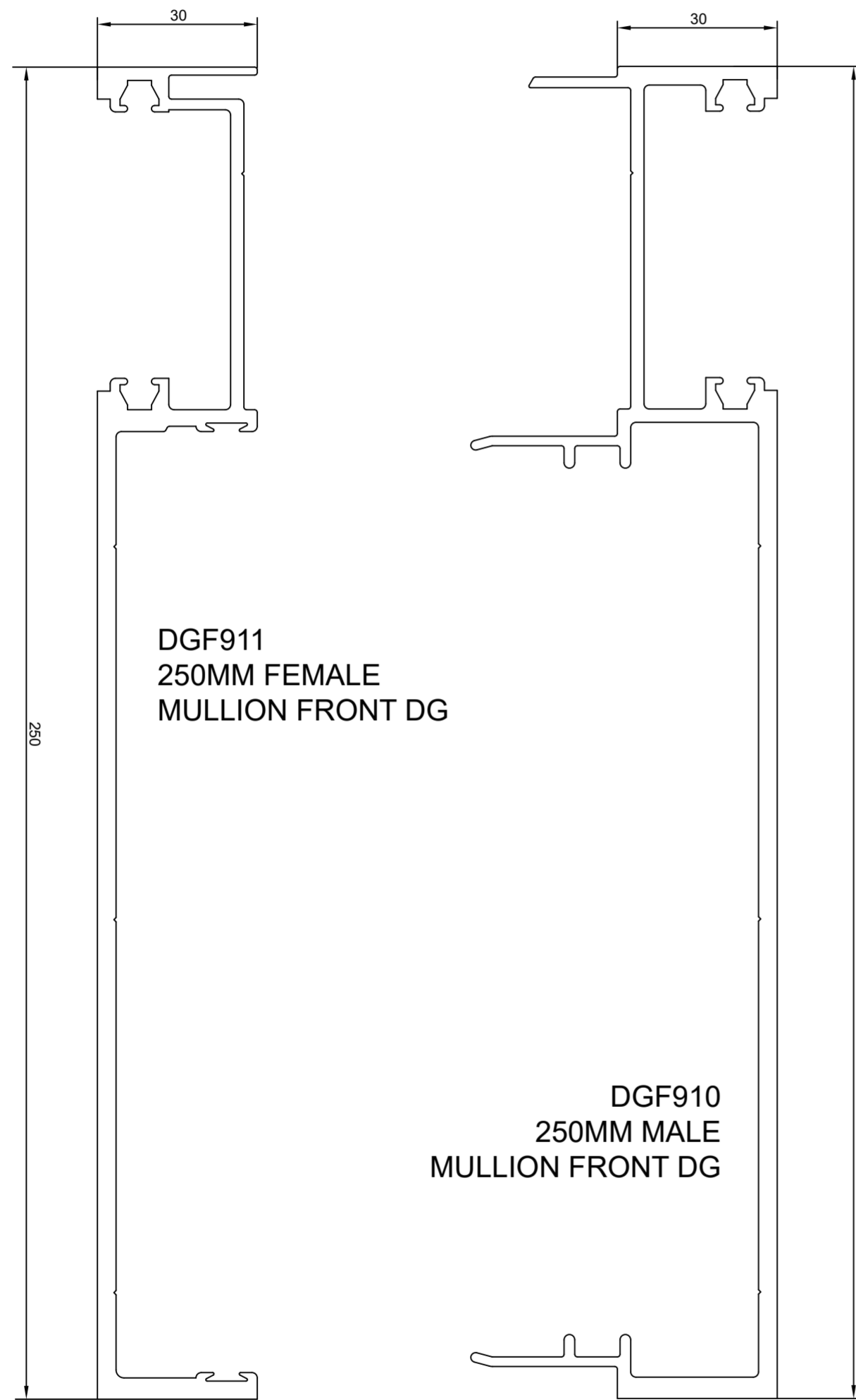
CDG6504
GLAZING ADAPTOR

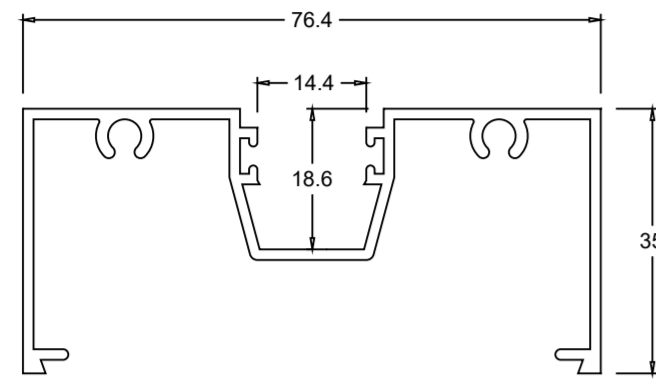


CDG6507
45MM DOOR STOP

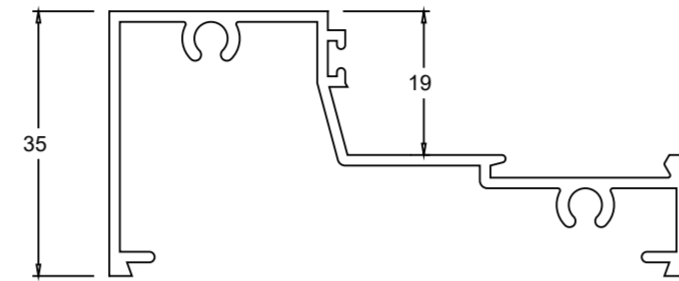


TJ339
WHEELCHAIR THRESHOLD

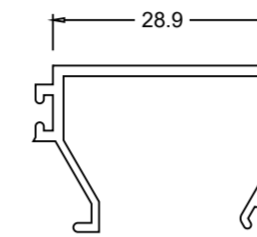




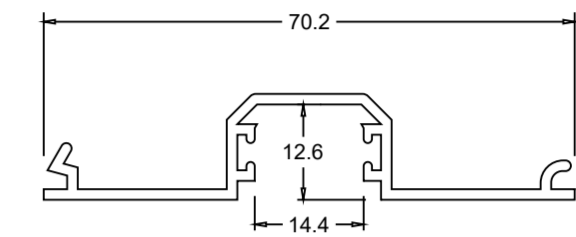
TJ701
MAIN FRAME



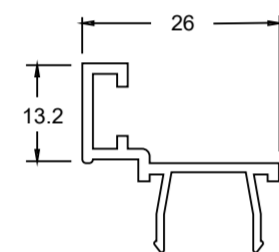
TJ702
SILL



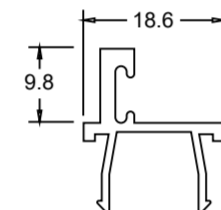
TJ703
SILL BEAD



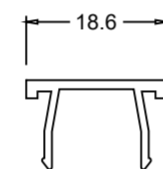
TJ704
GLAZING ADAPTOR



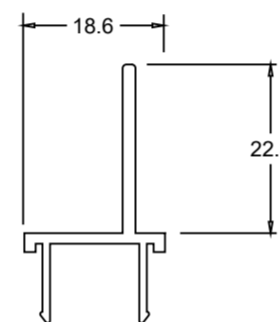
TJ706
45mm DOOR STOP



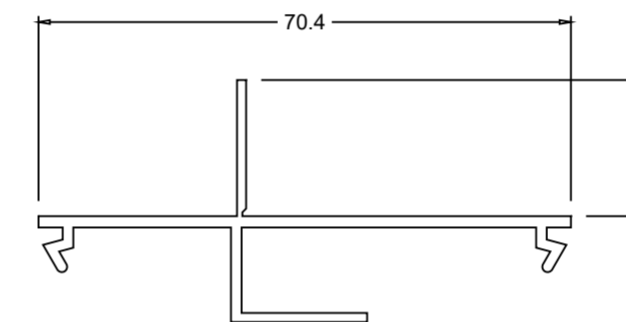
TJ735
35 mm DOOR STOP



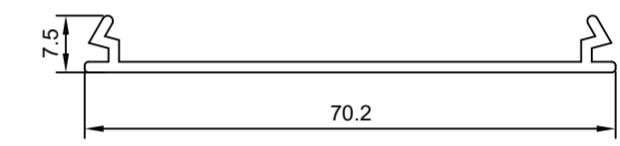
TJ707
POCKET FILLER



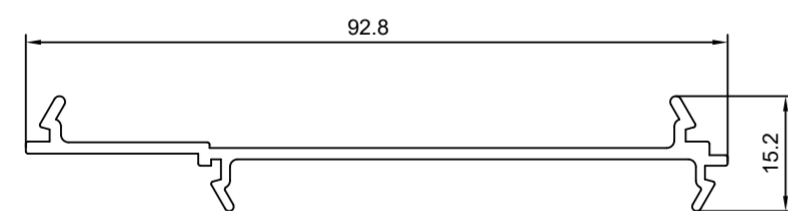
TJ730
35 AWNING STOP



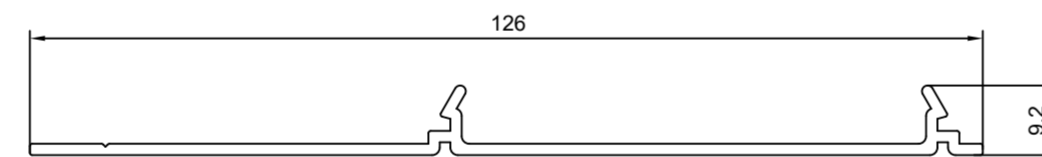
TJ751
REVEAL CLIP IN



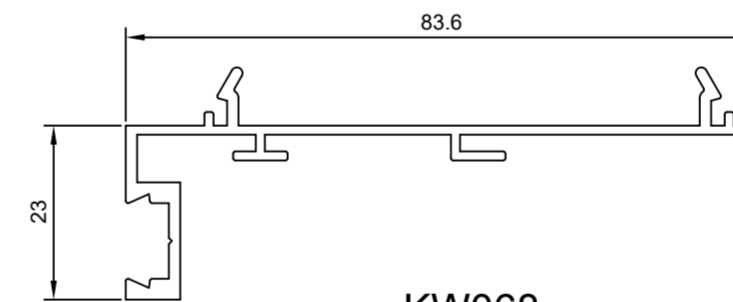
TJ705
FLUSH ADAPTOR



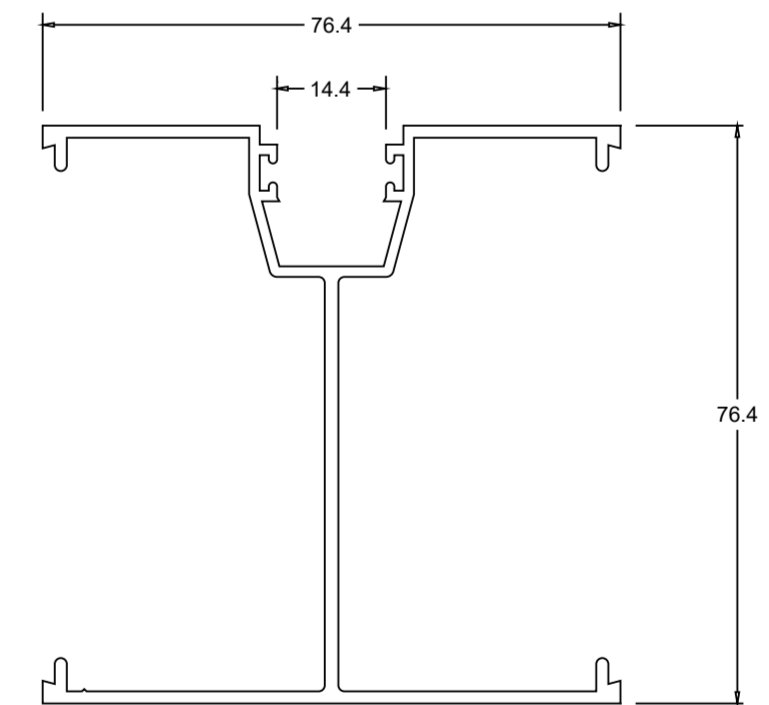
KW039
101.6MM TO 76MM FLAT JOINER



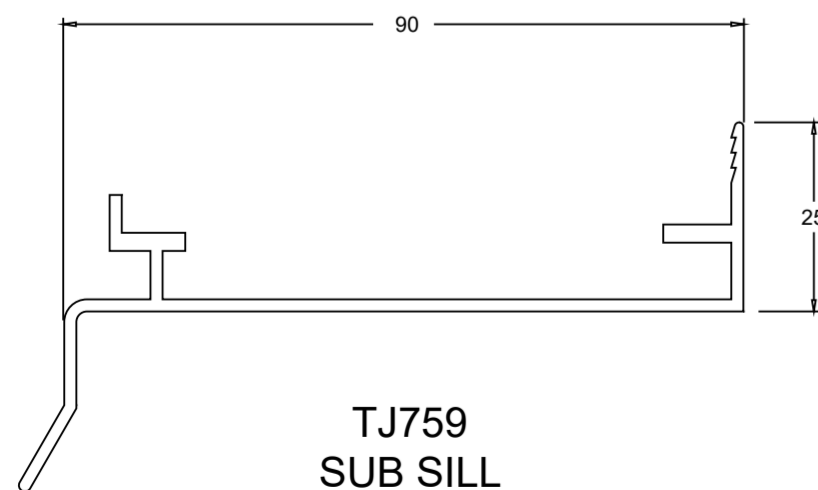
KW041
76MM FIXING PLATE



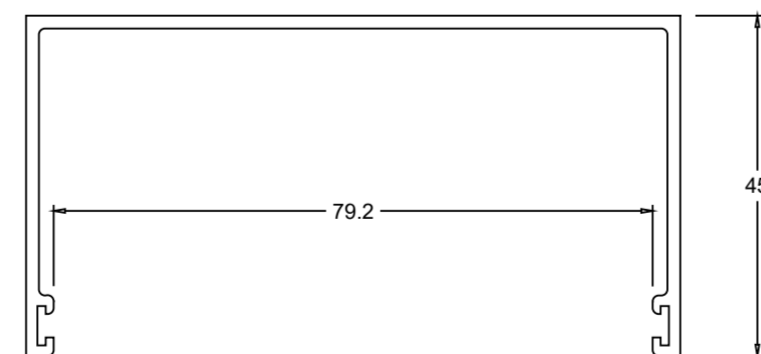
KW068
76MM CONCEALED FACE
FIX ADAPTOR



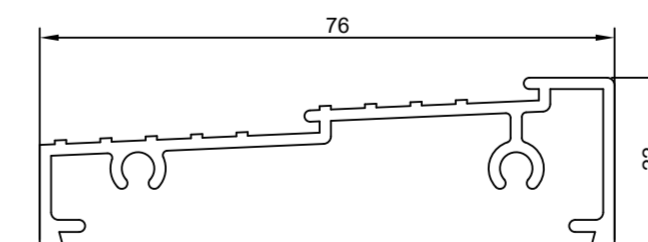
TJ718
CORNER POST



TJ759
SUB SILL

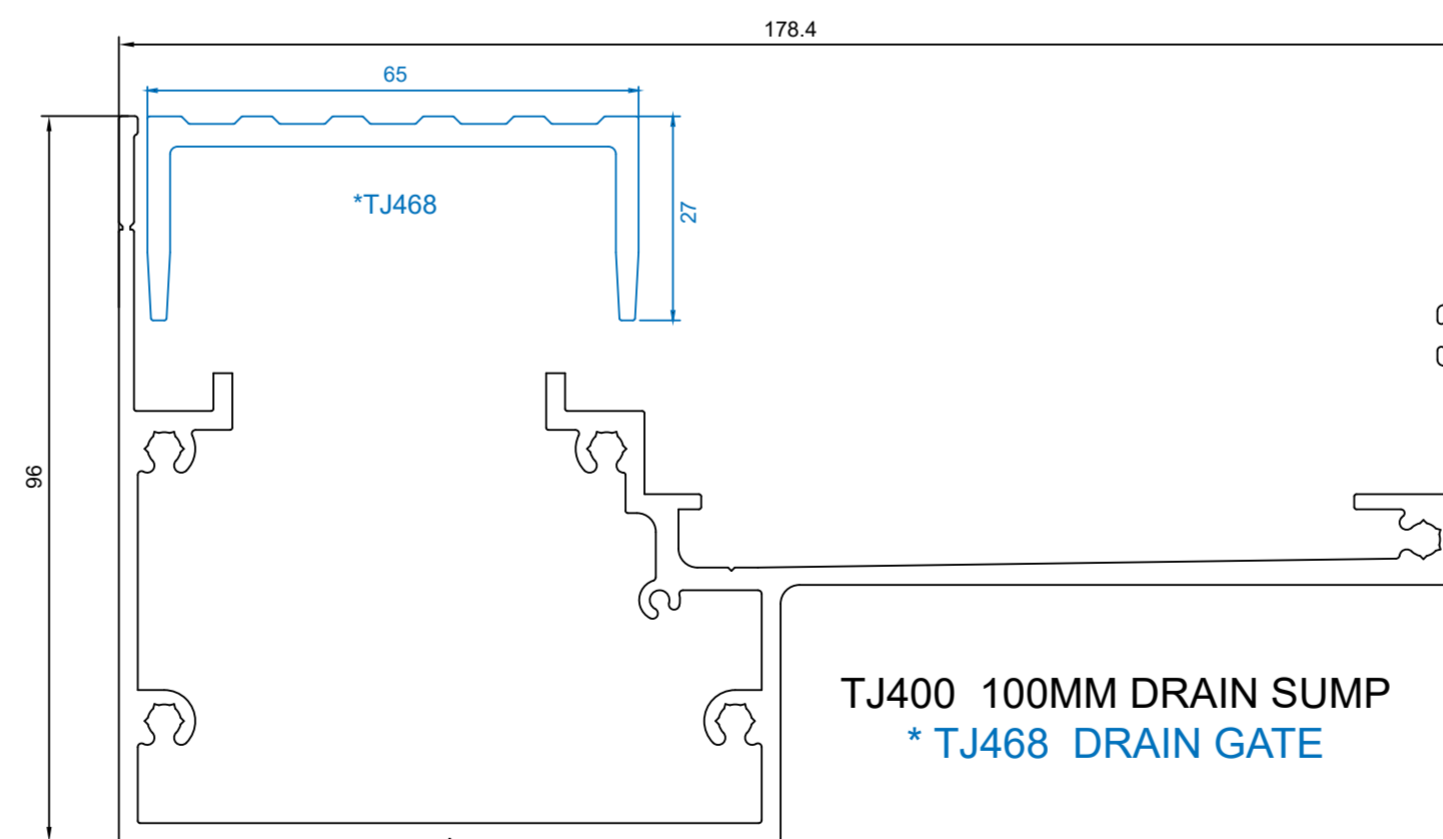
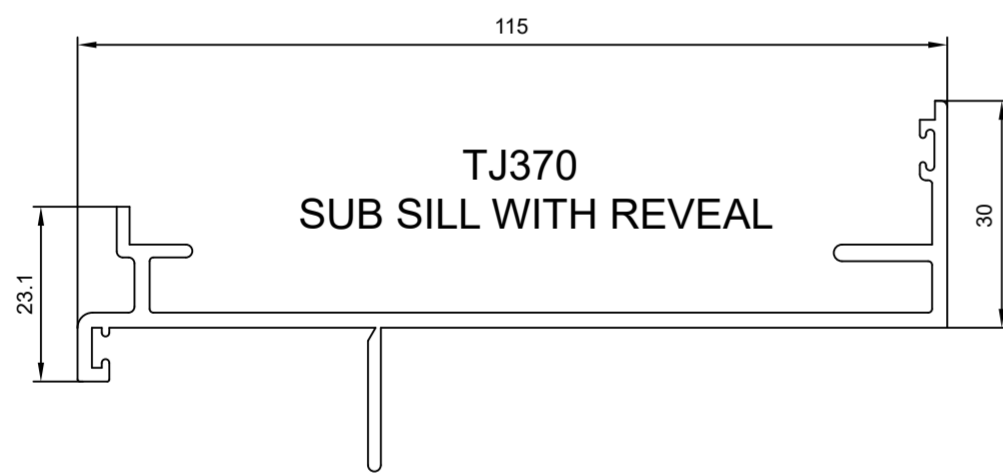
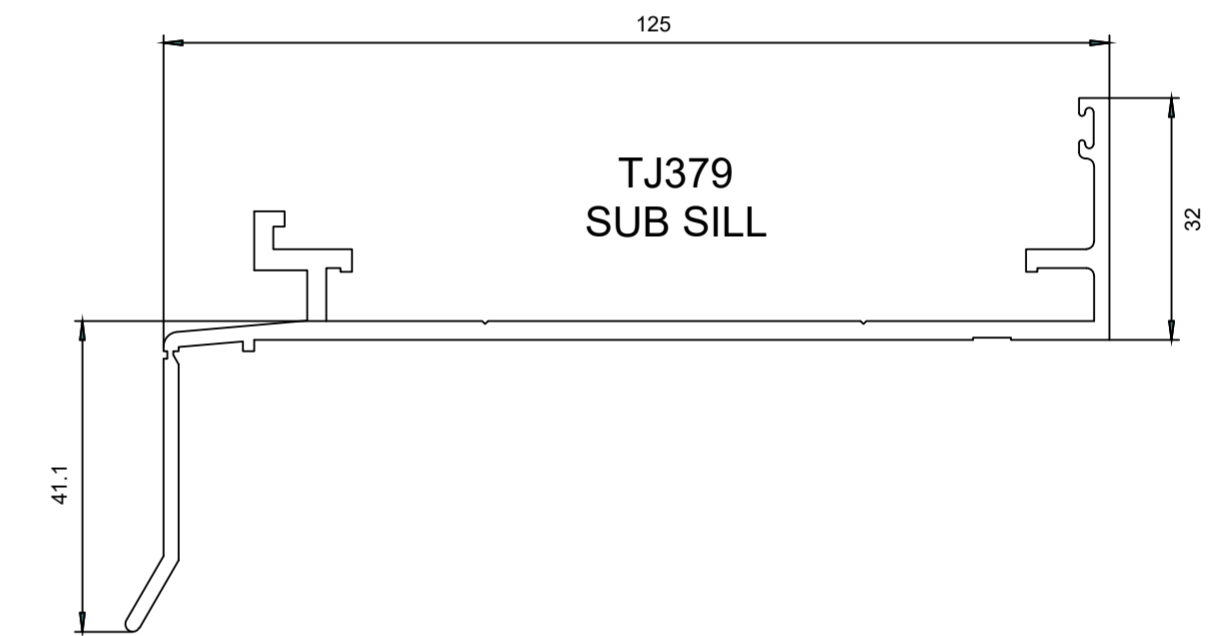
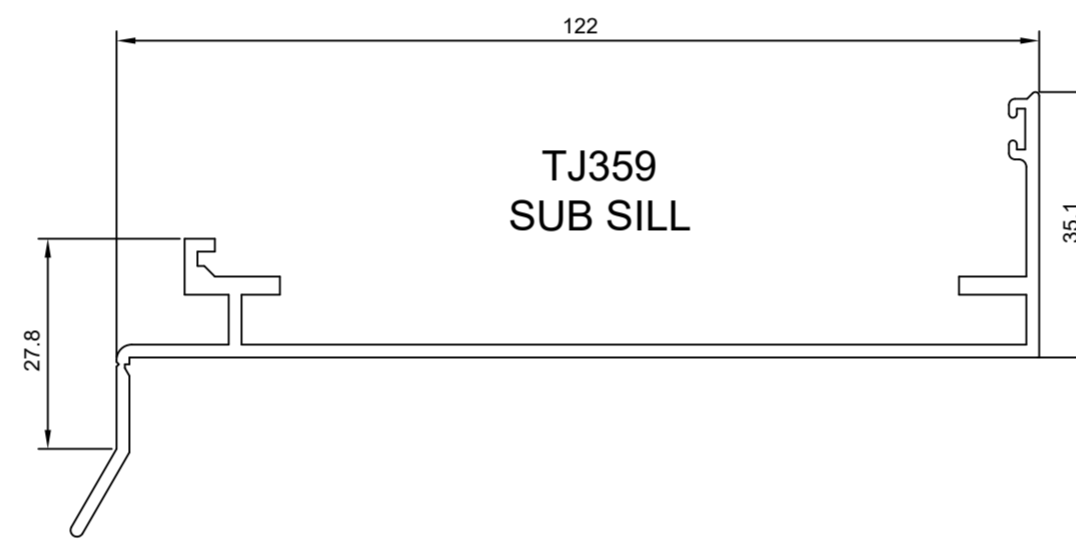
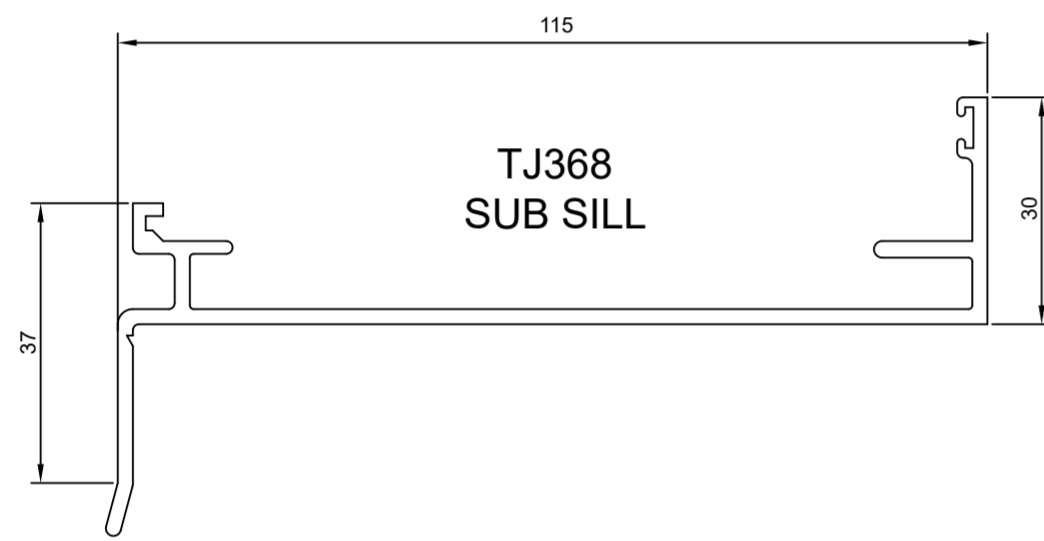
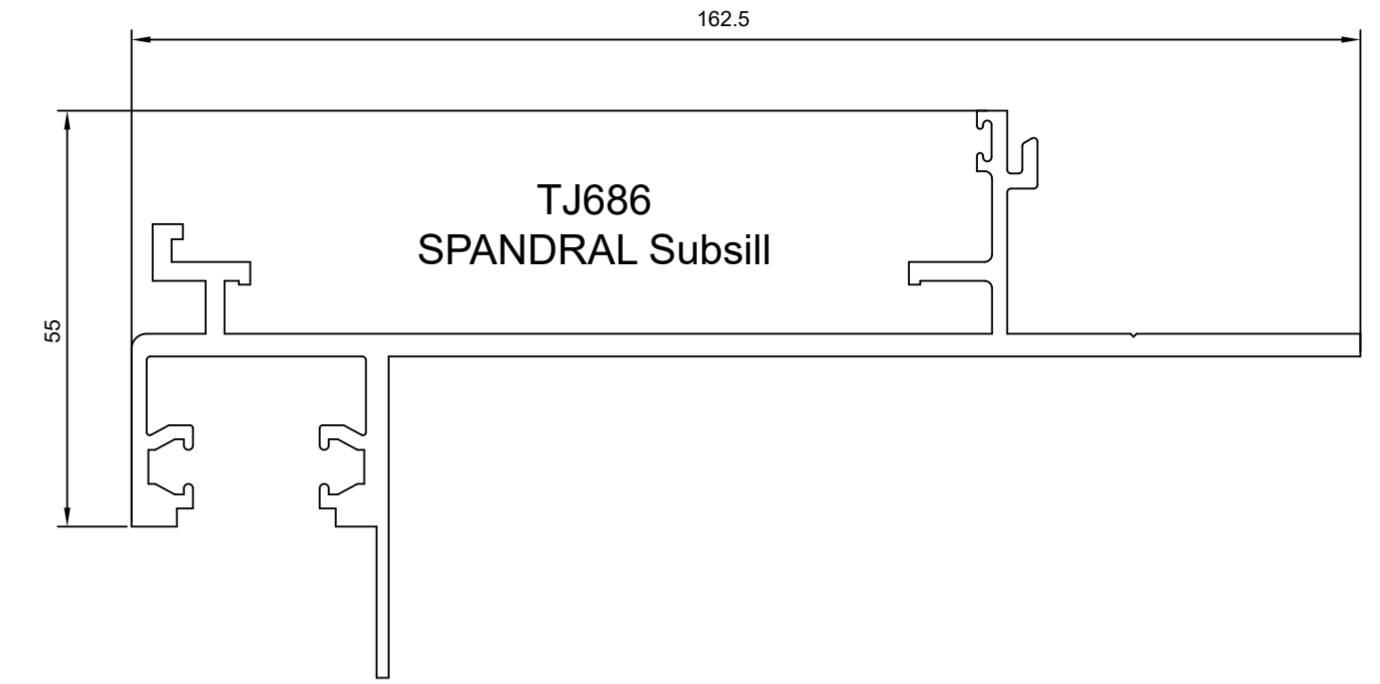
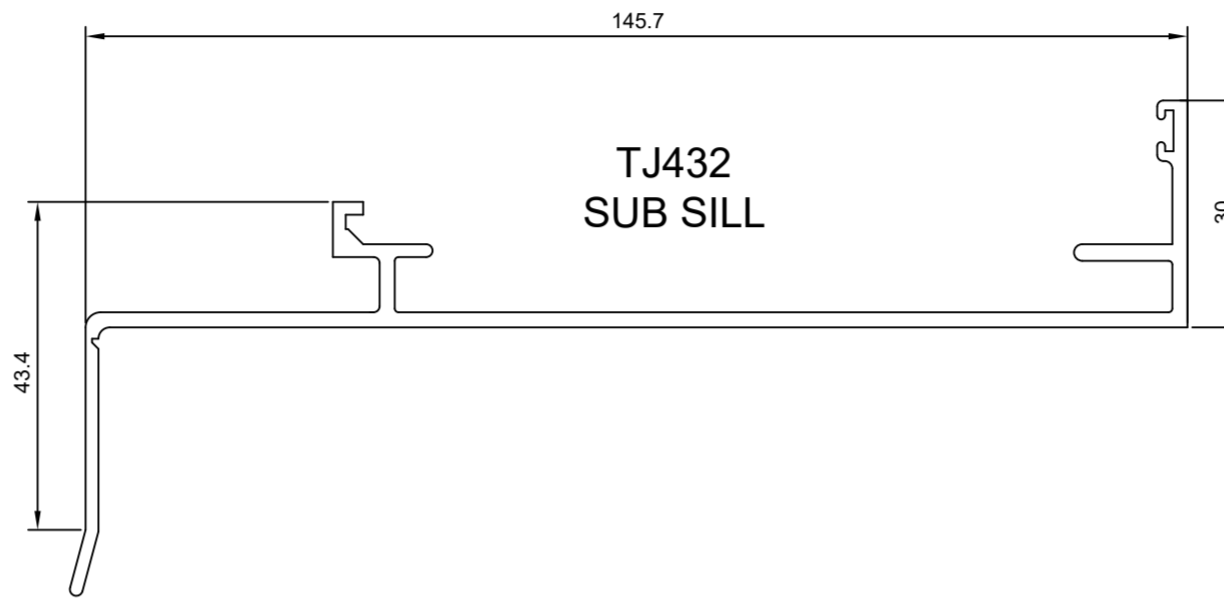
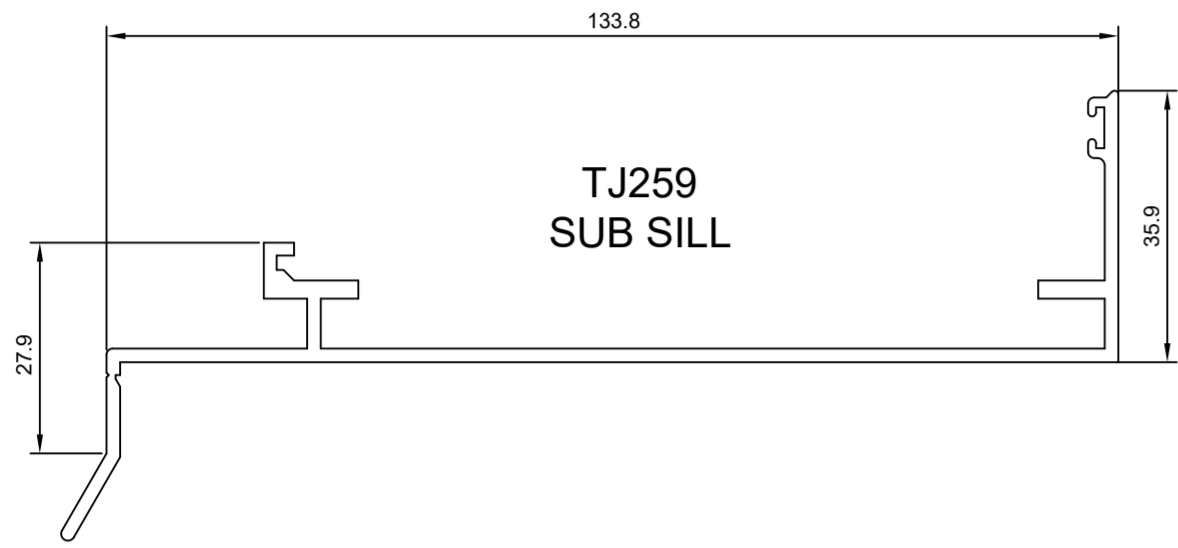


TJ760
76MM SUB HEAD 45MM TALL

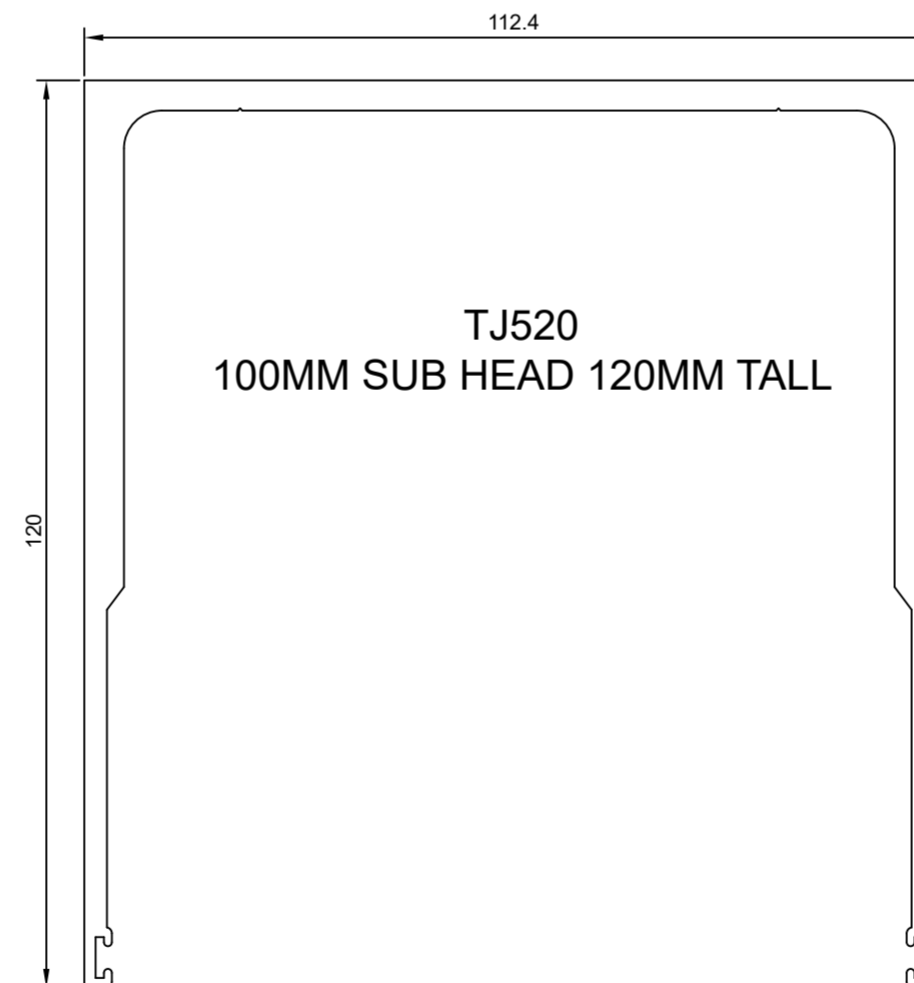
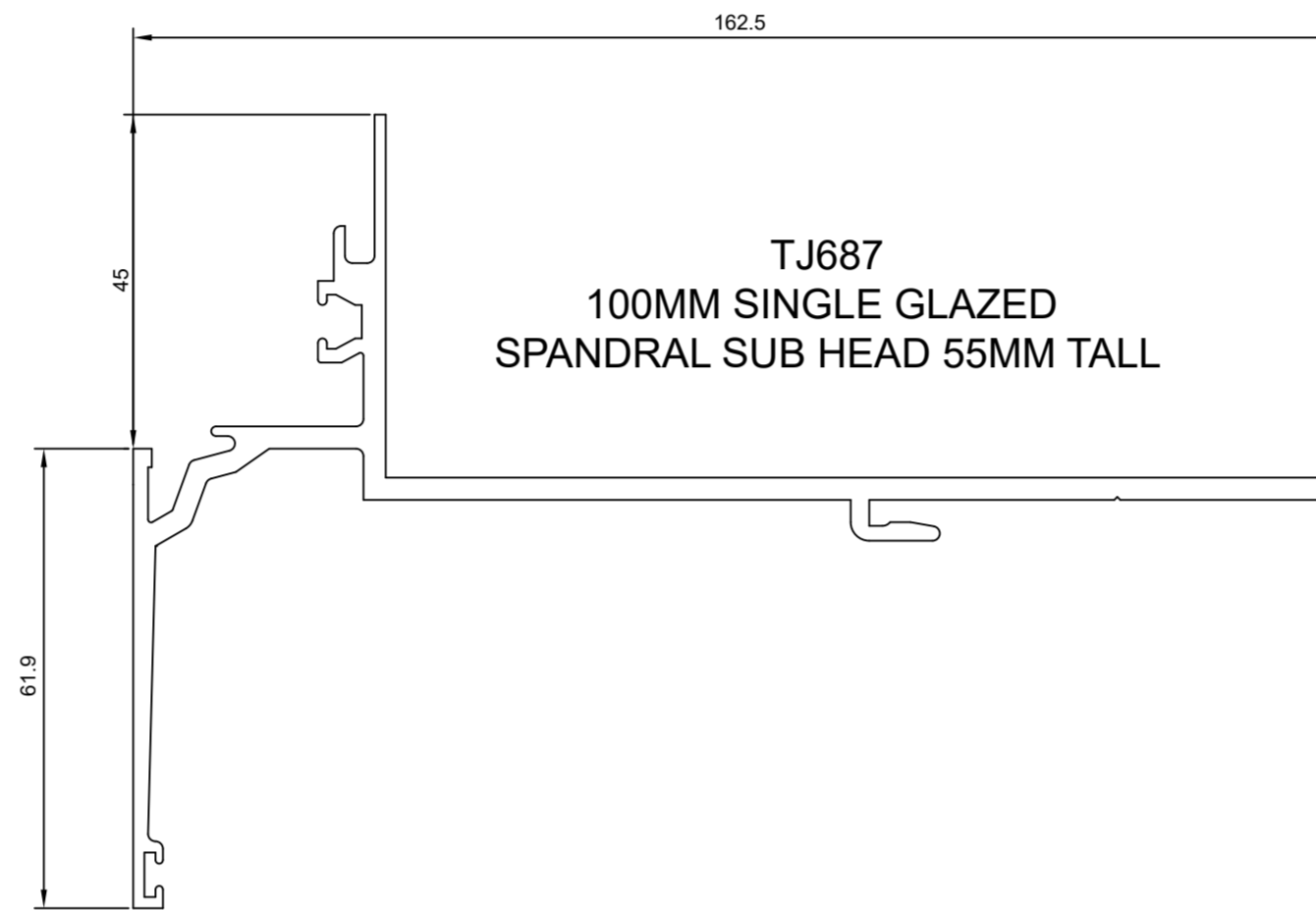
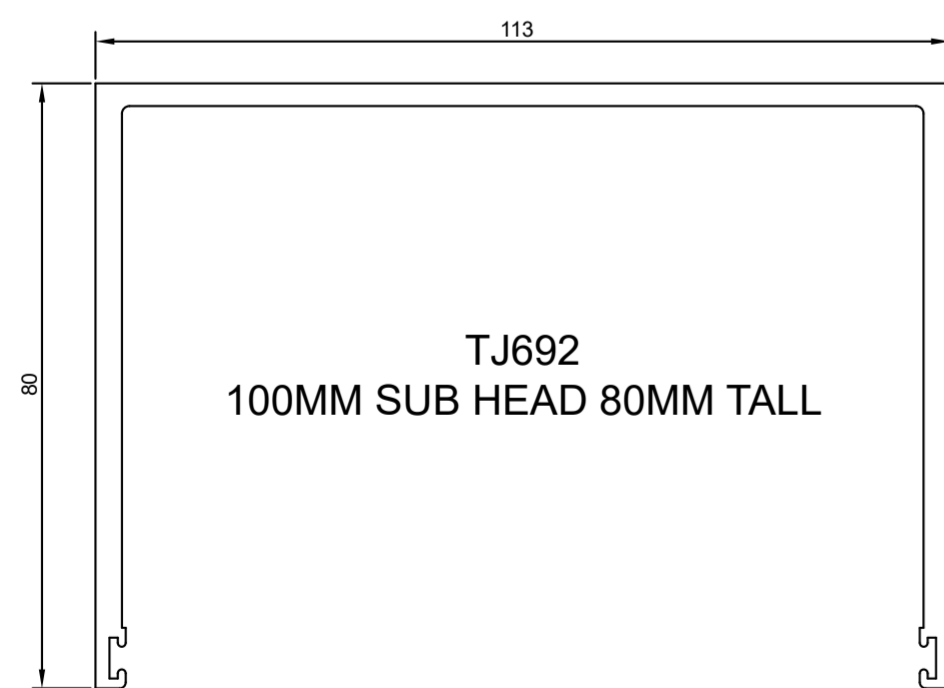
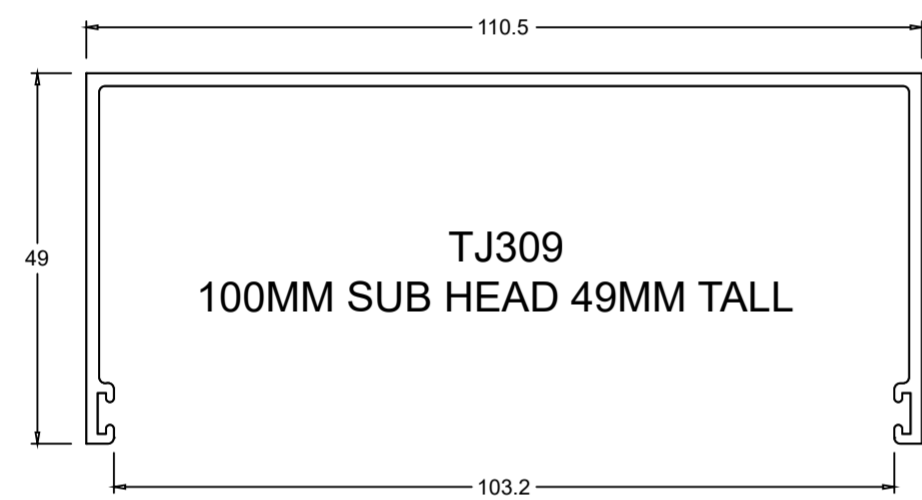
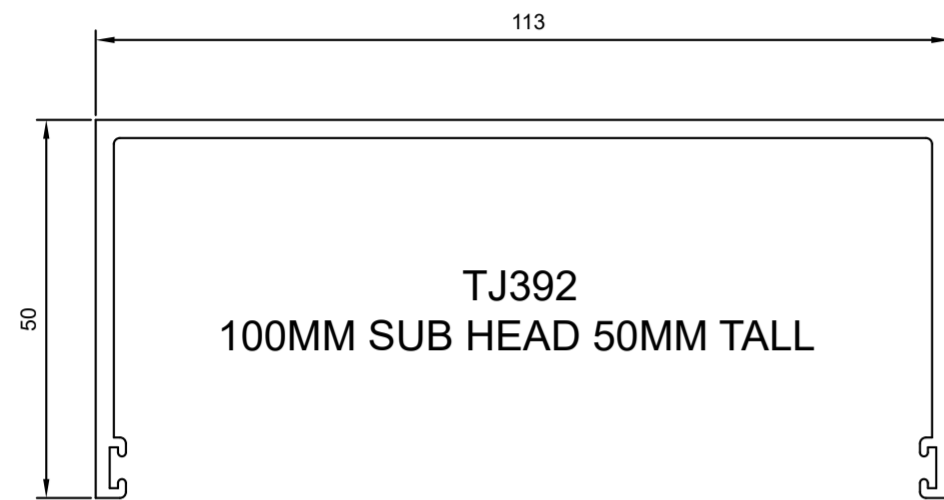


TJ711
THRESHOLD

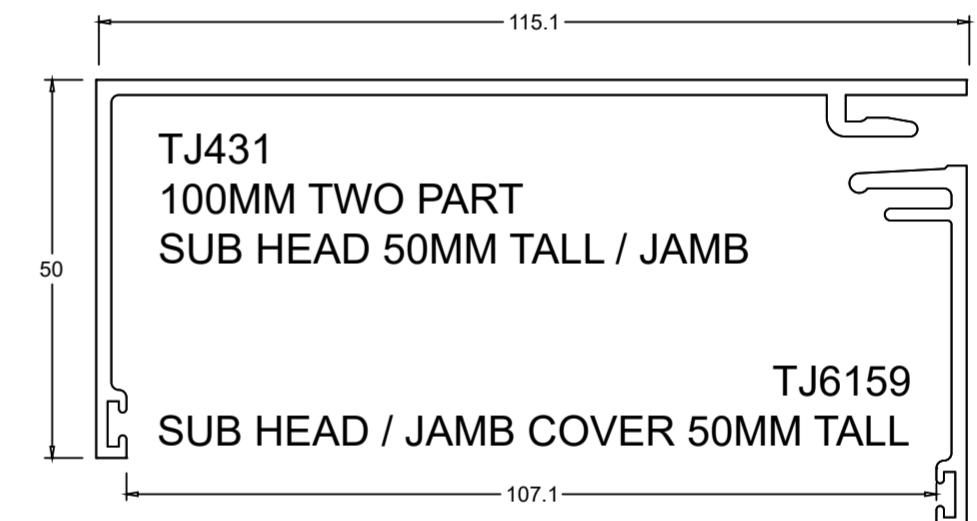
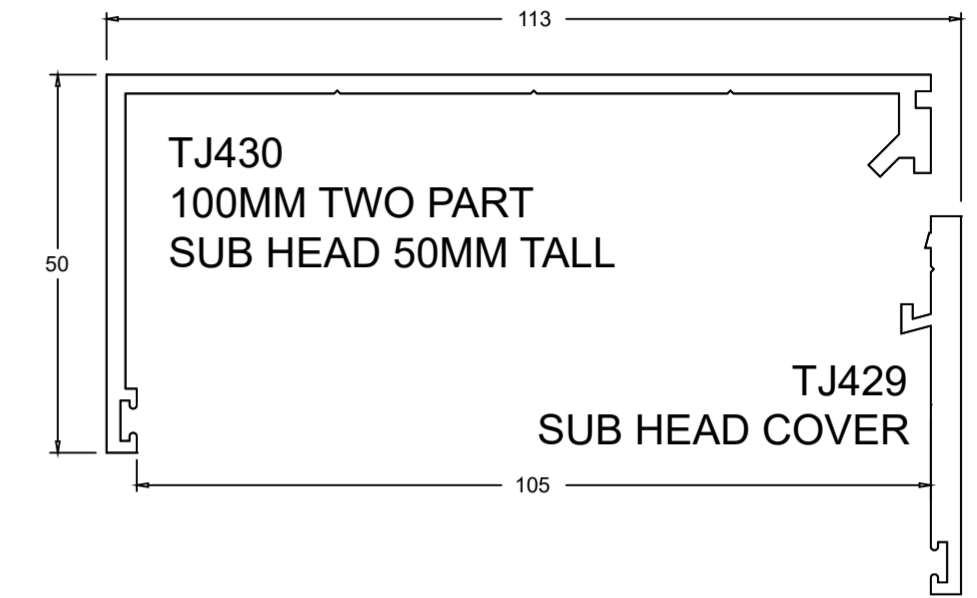
SUB SILLS

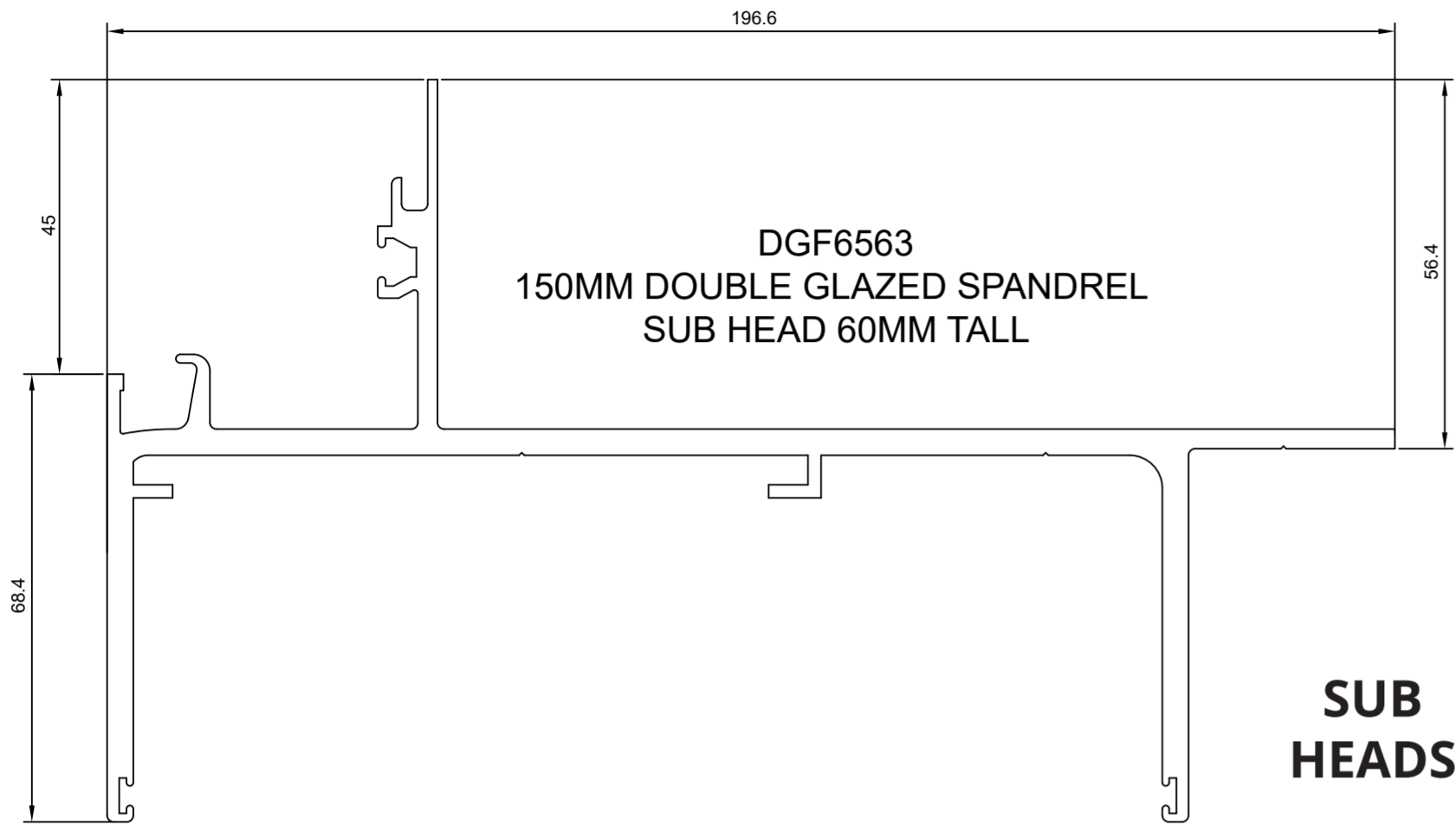


SUB HEADS

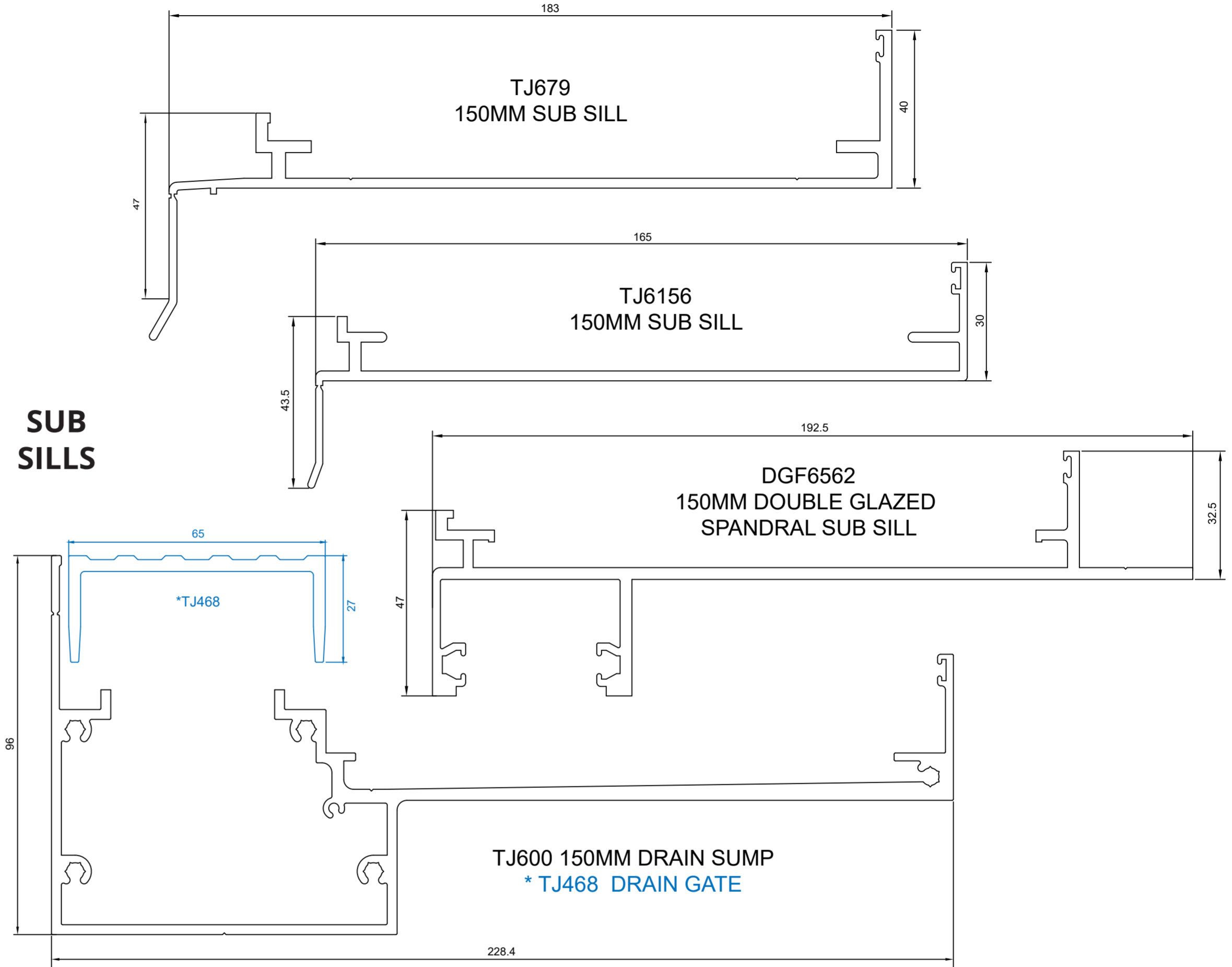
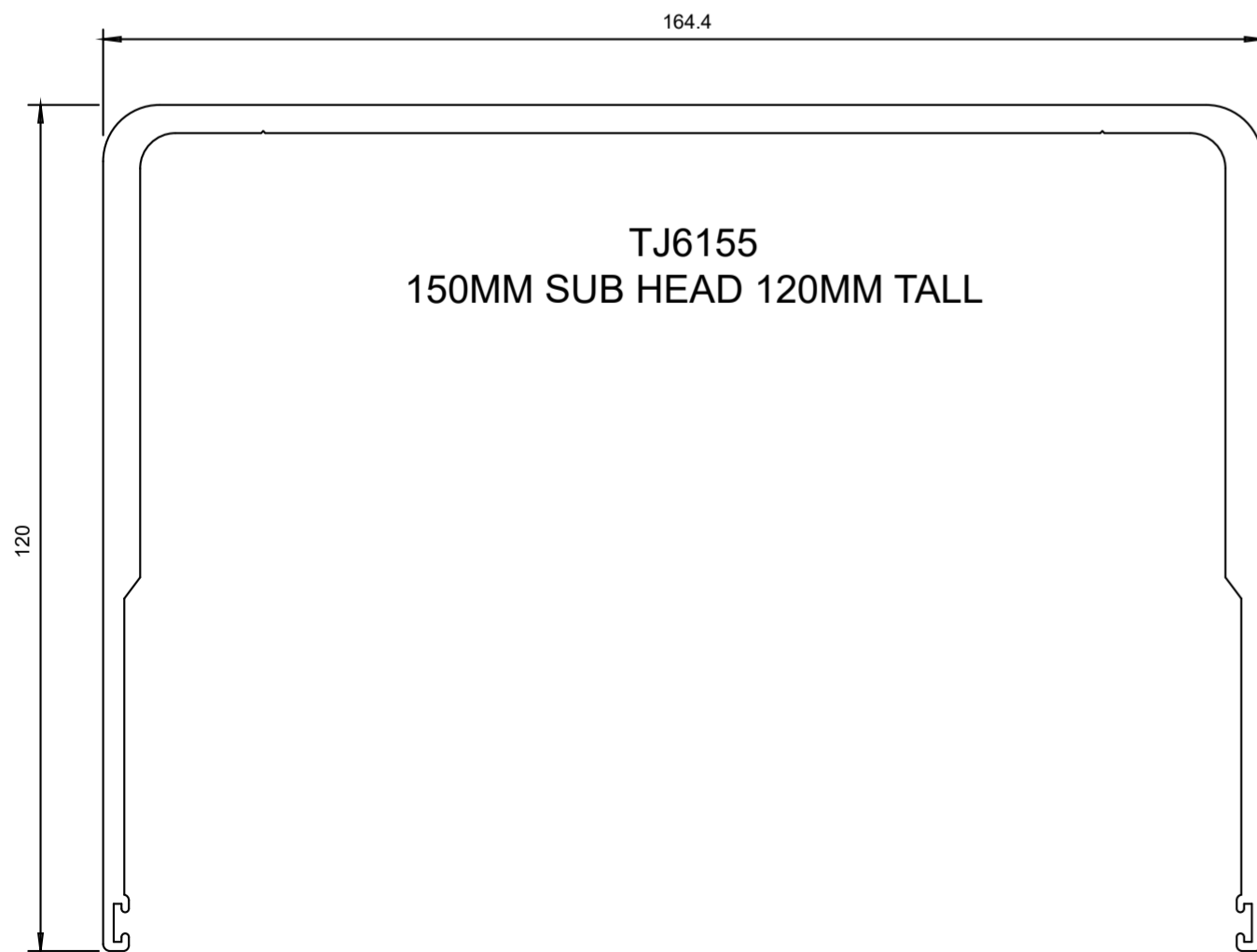


SUB HEADS / JAMBS



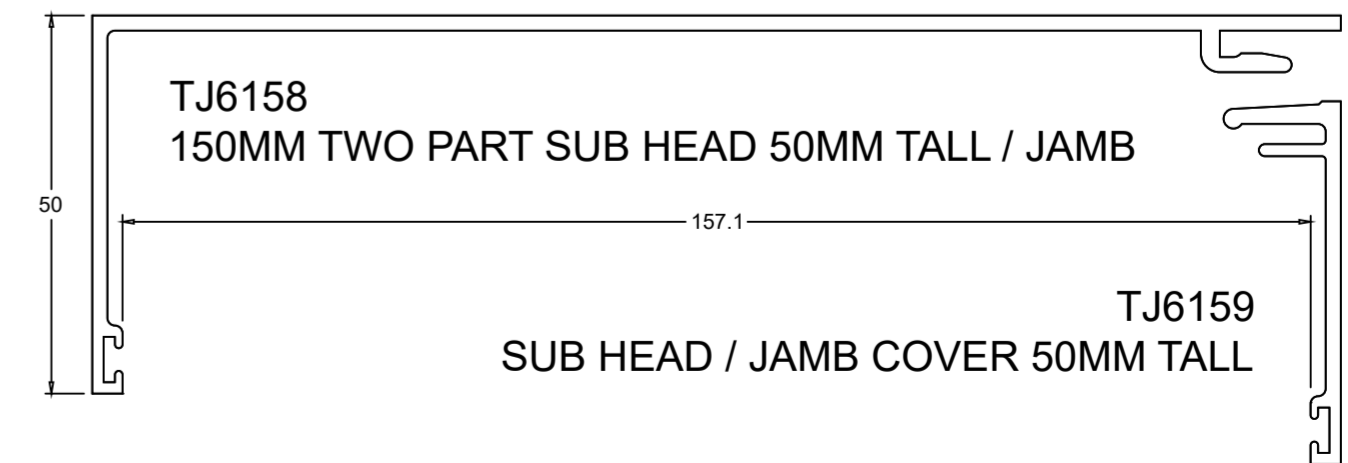


SUB HEADS

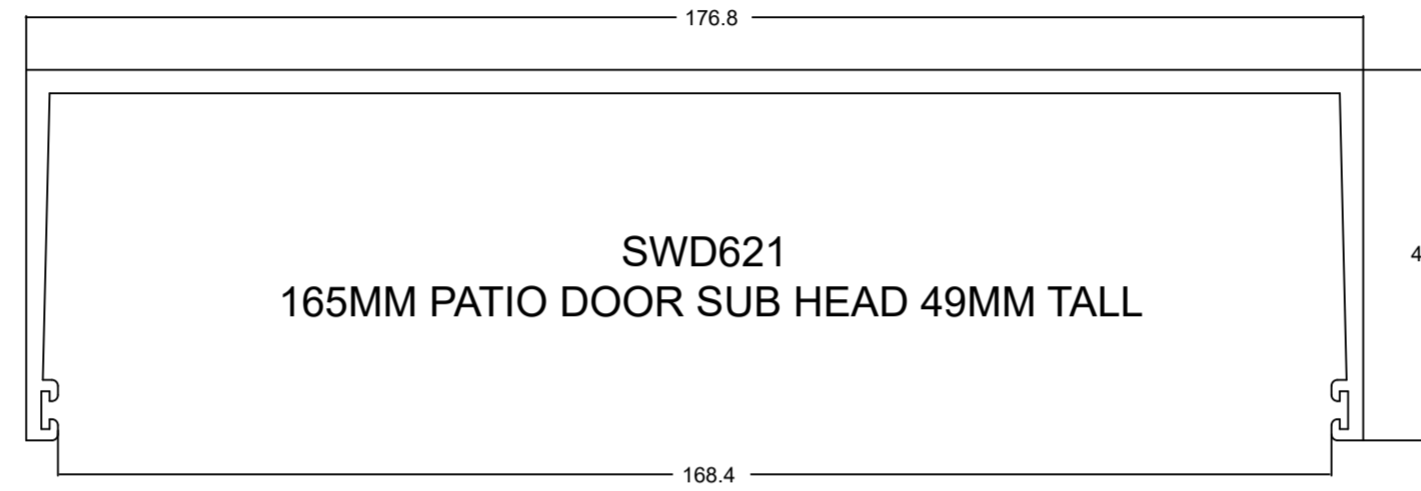


SUB SILLS

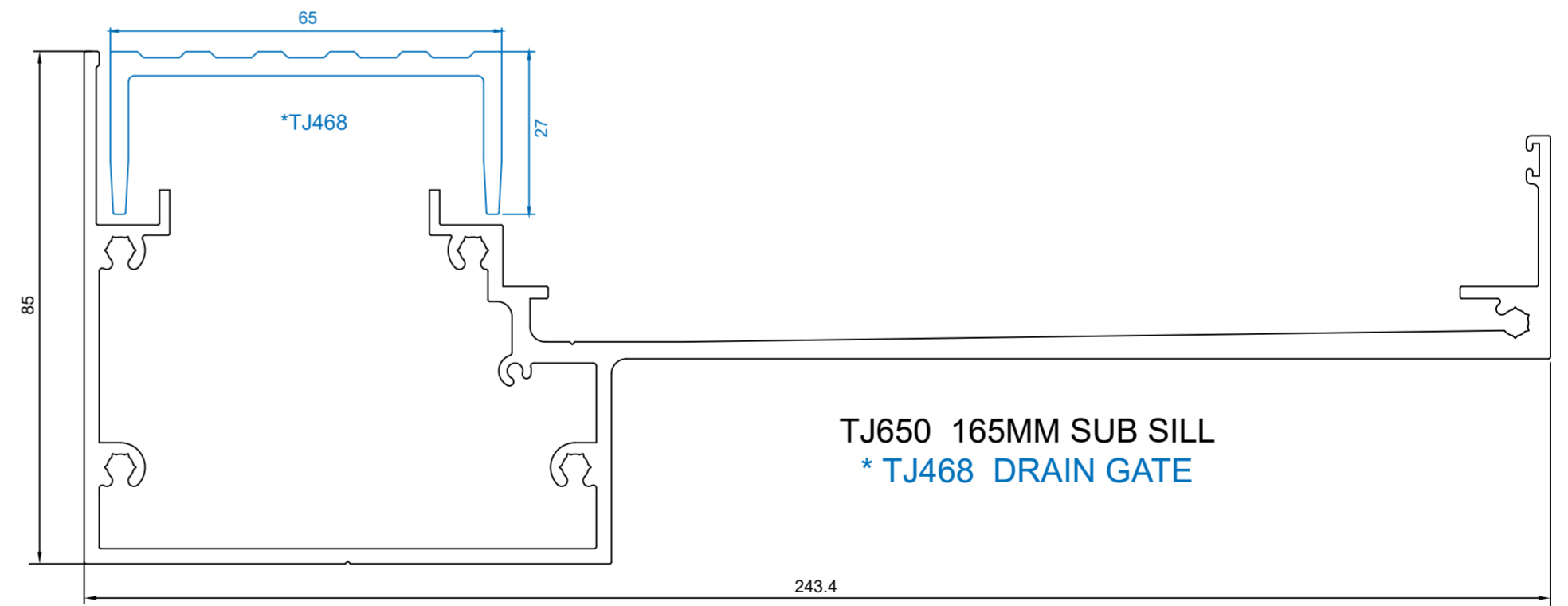
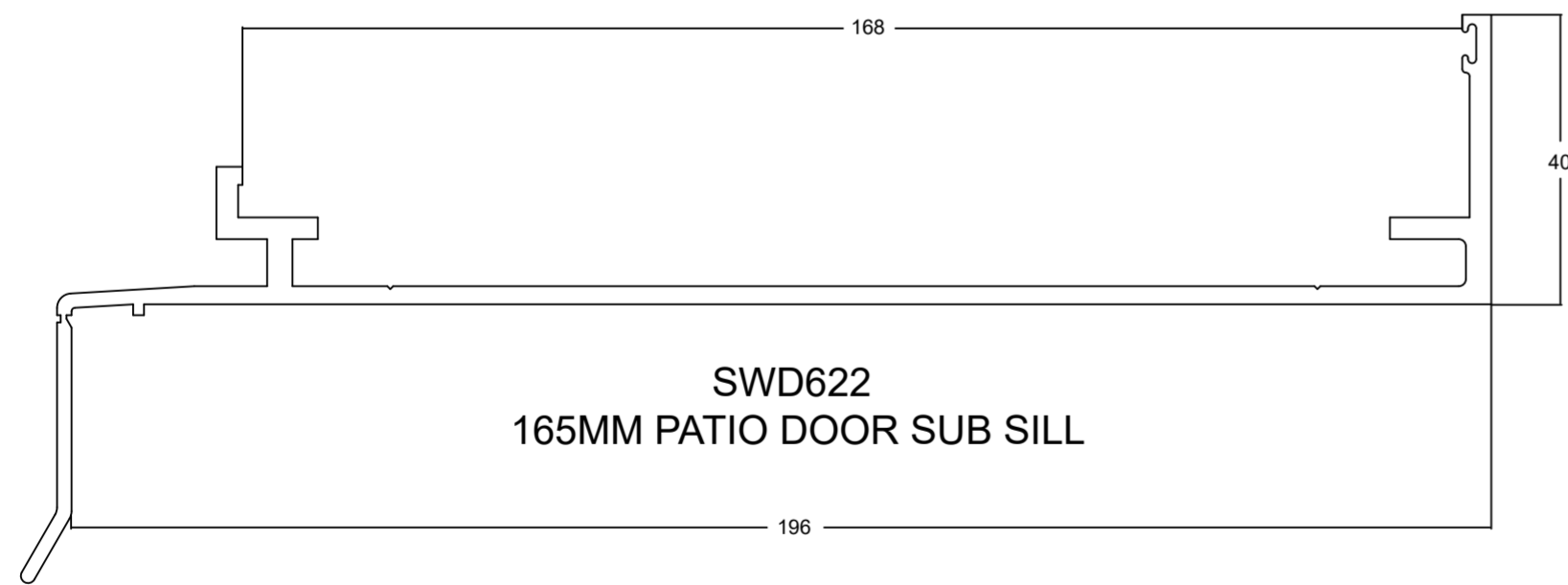
SUB HEADS / JAMBS

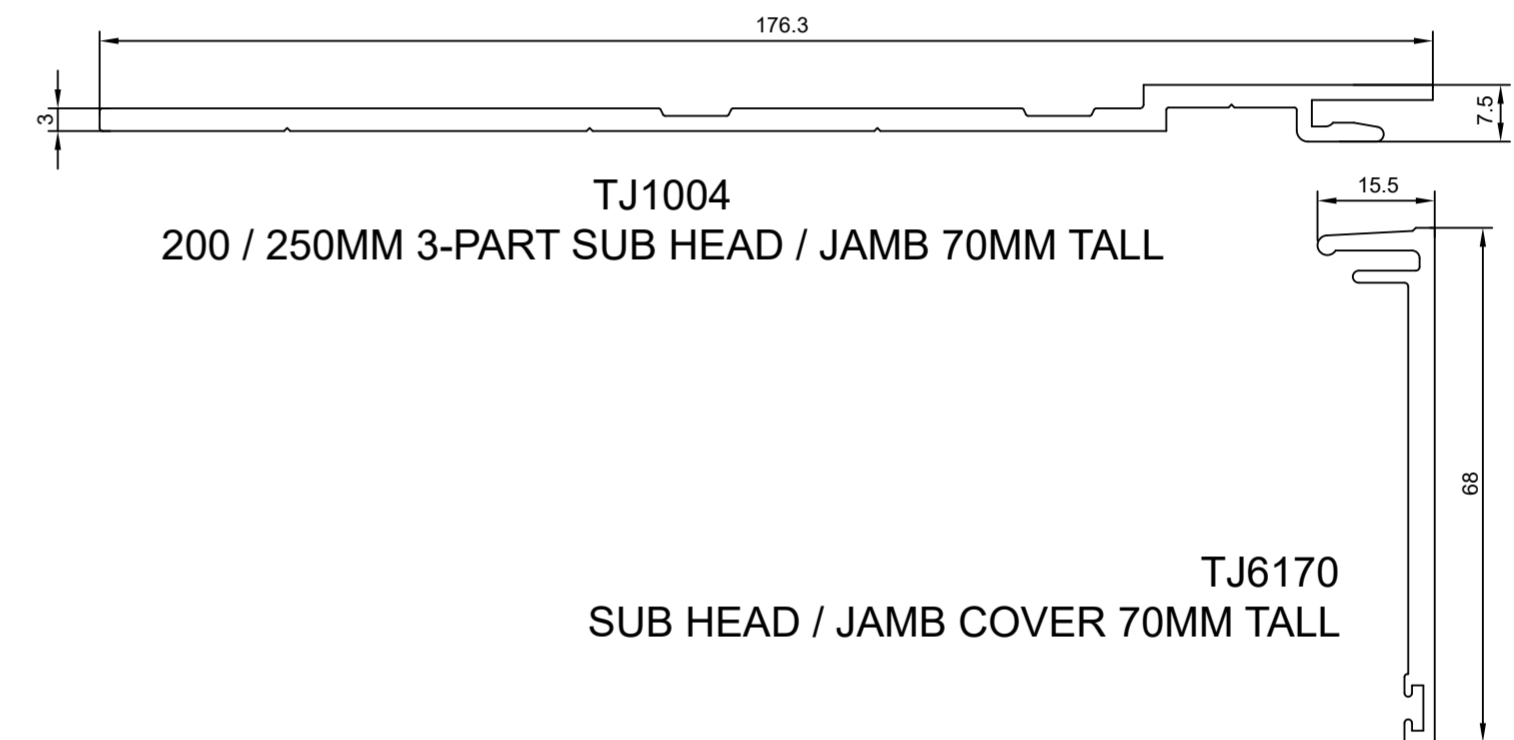
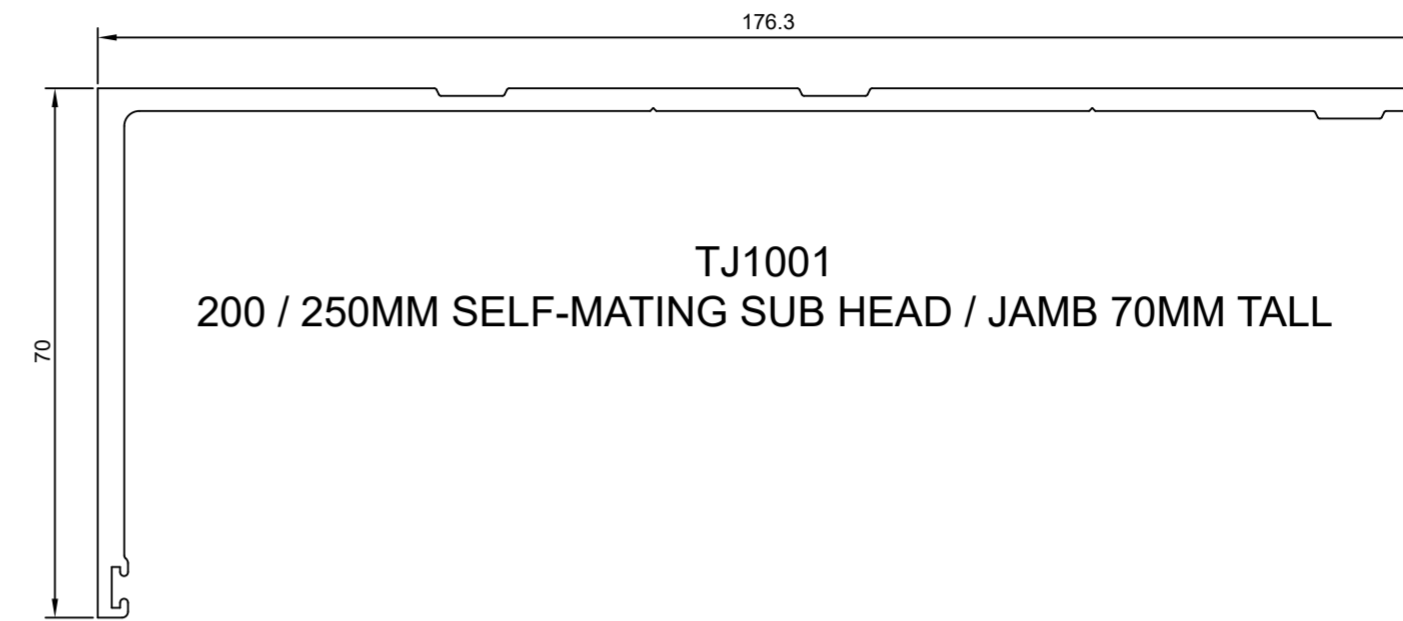
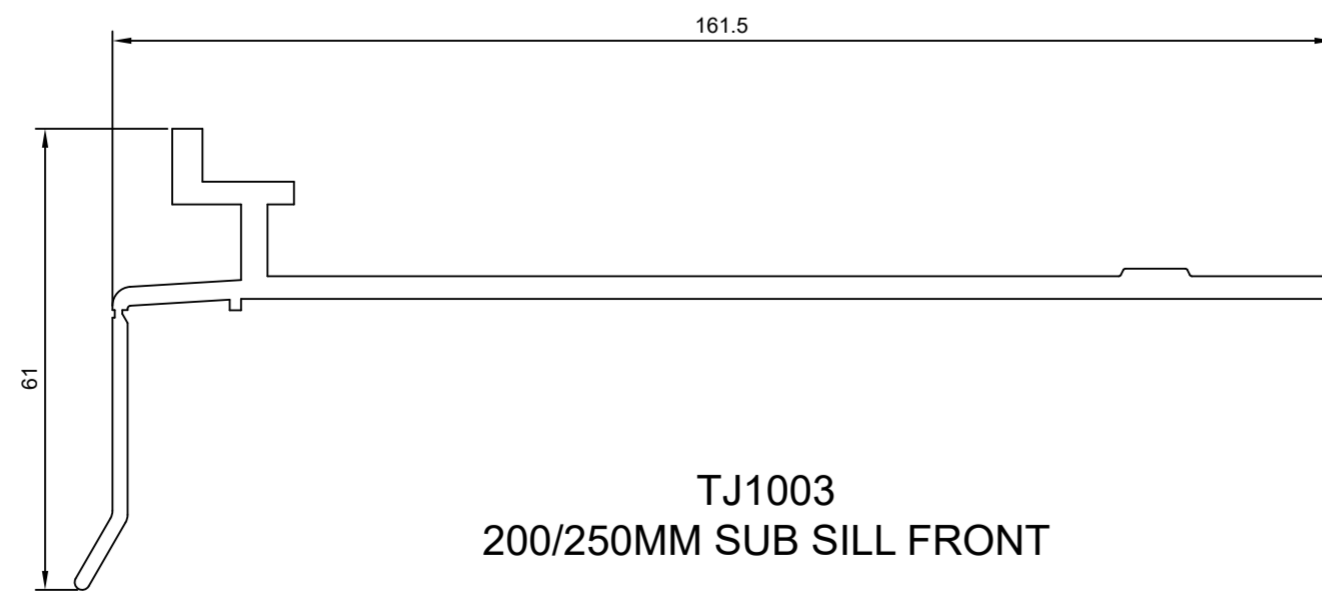
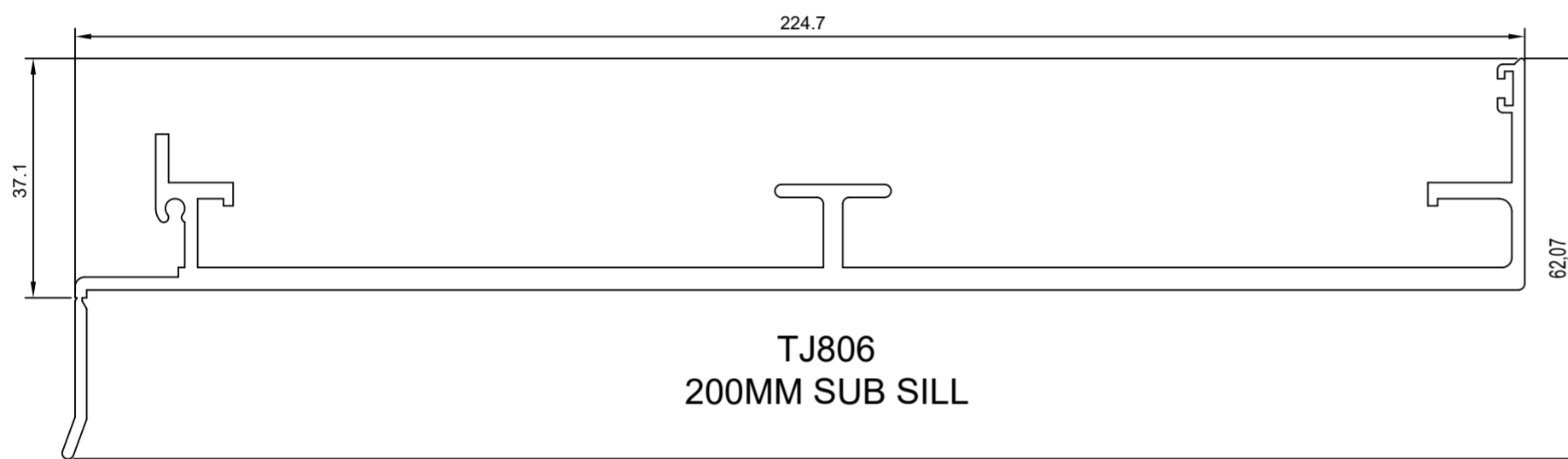
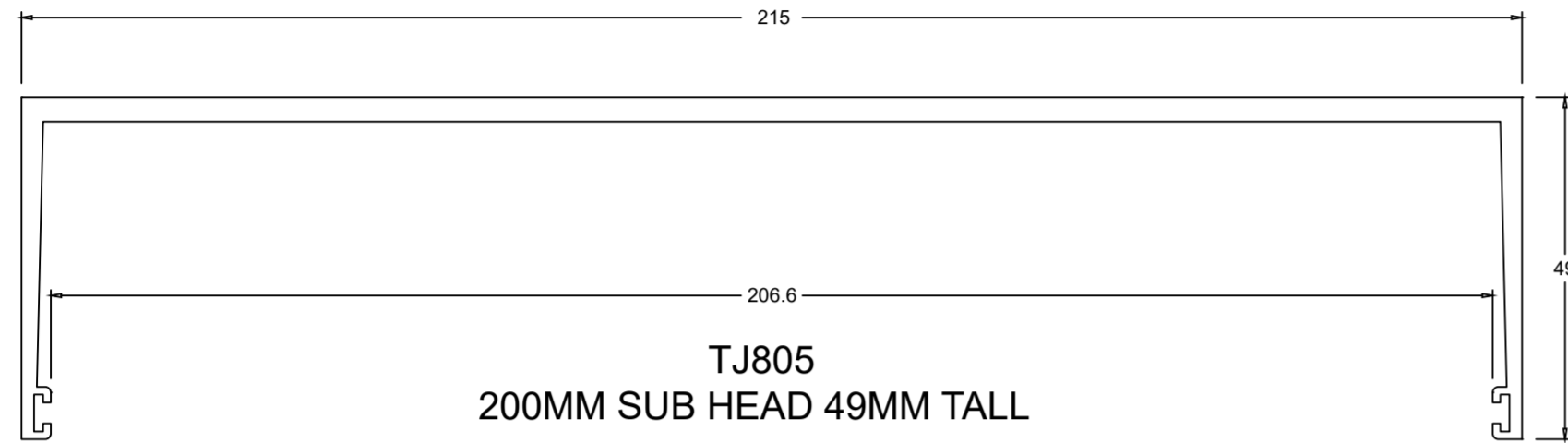


SUB HEADS

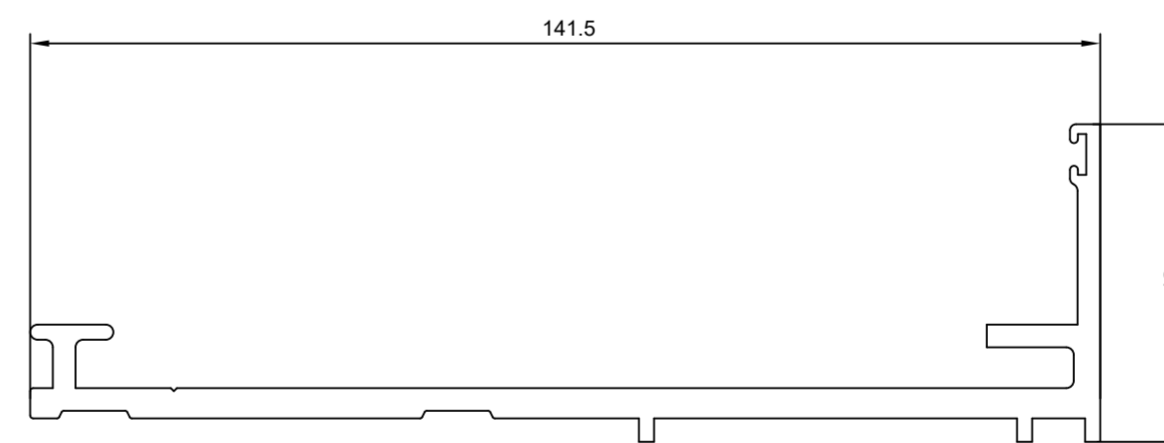


SUB SILLS

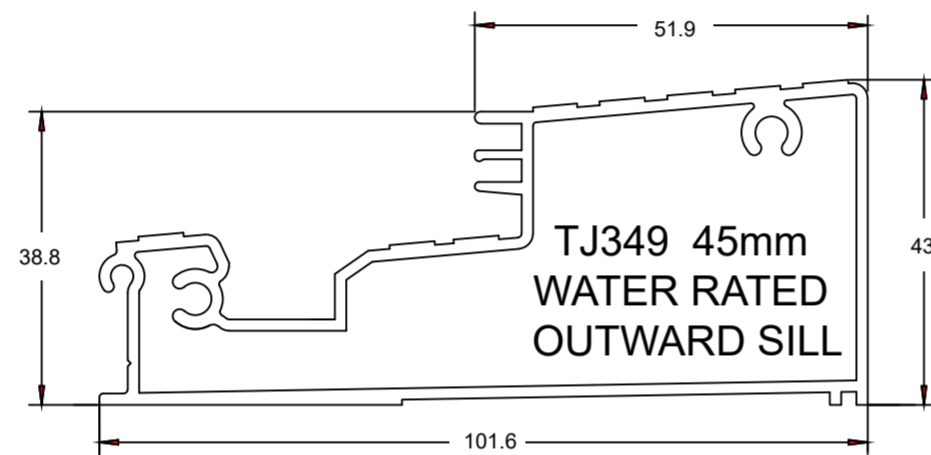
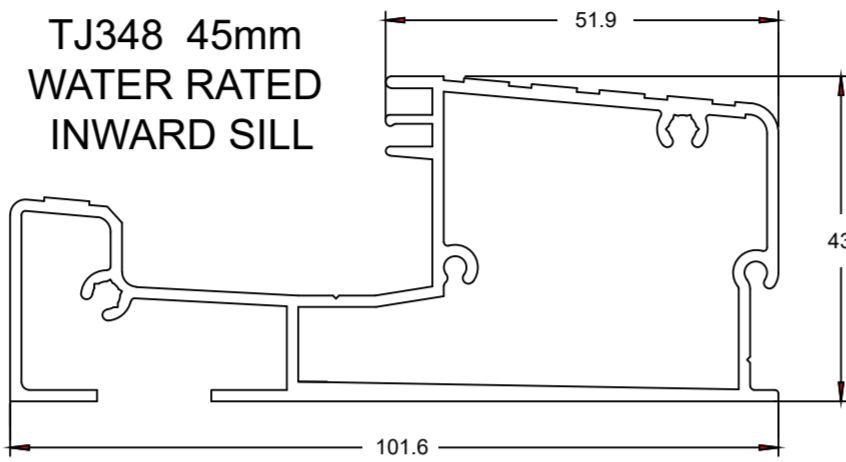
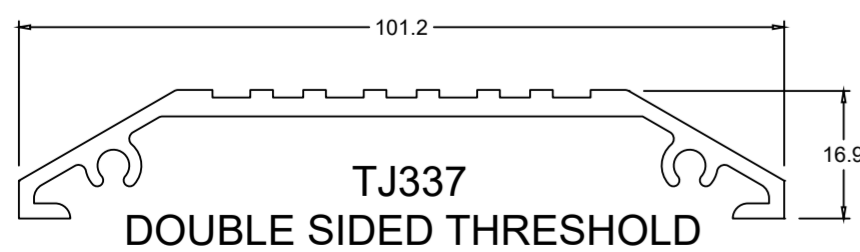
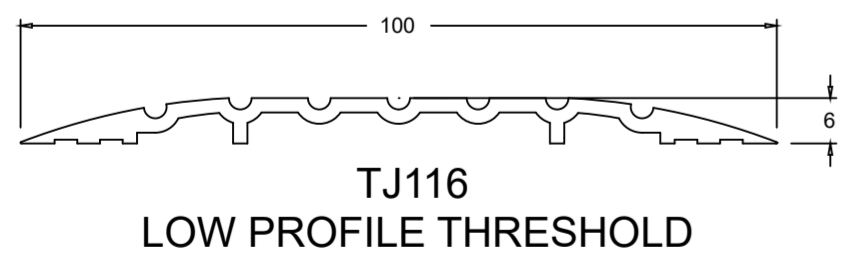
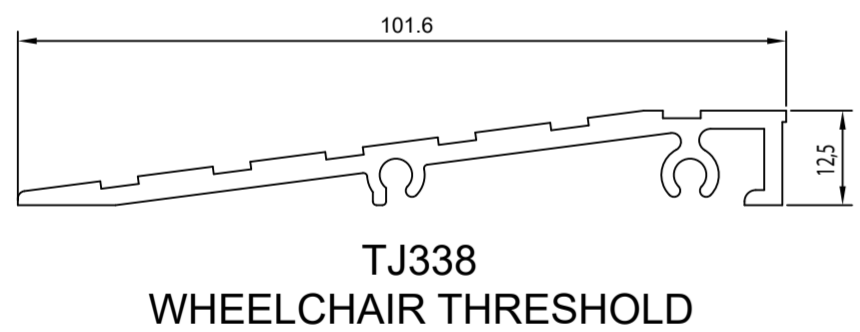
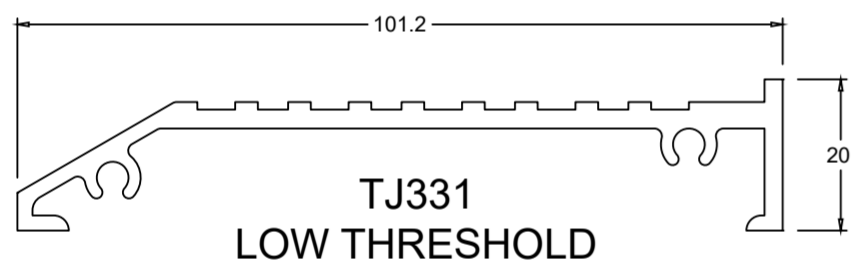
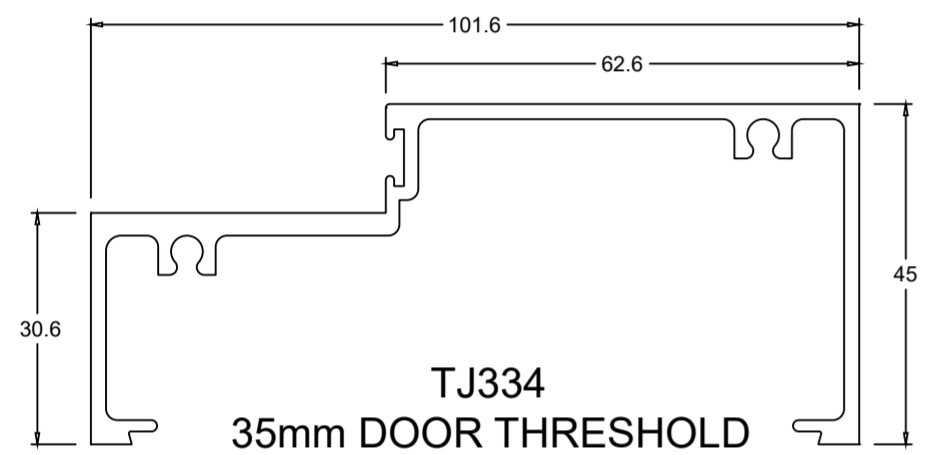
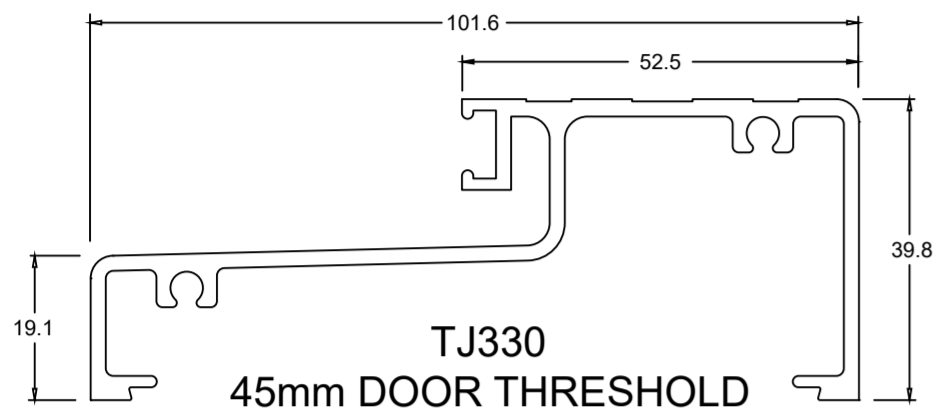




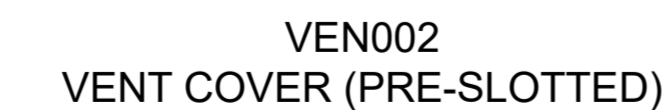
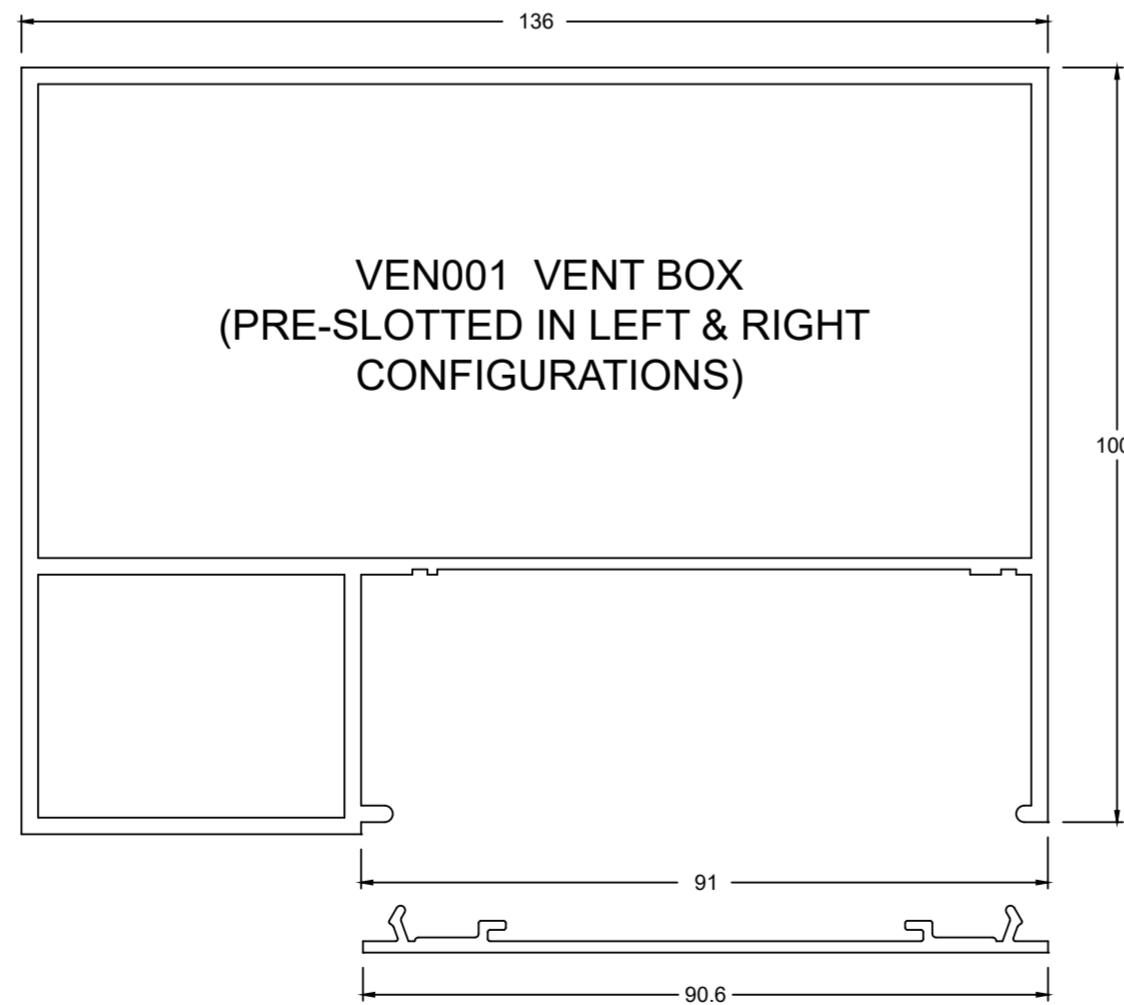
TJ6170
SUB HEAD / JAMB COVER 70MM TALL



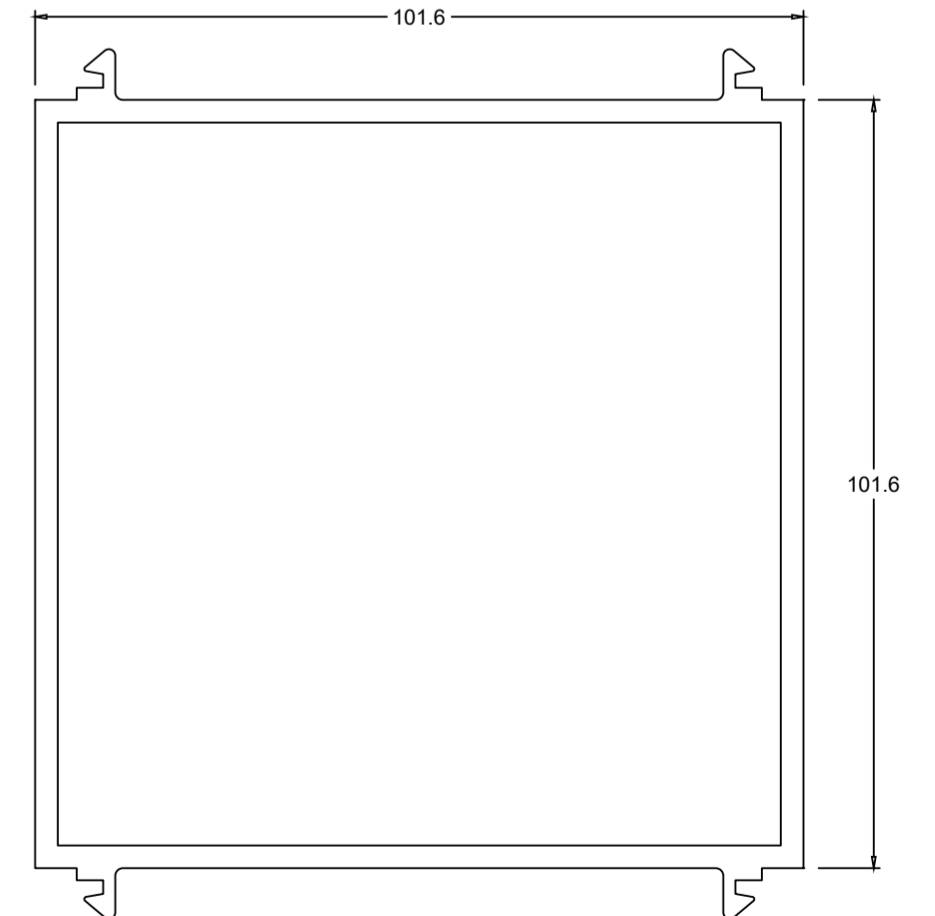
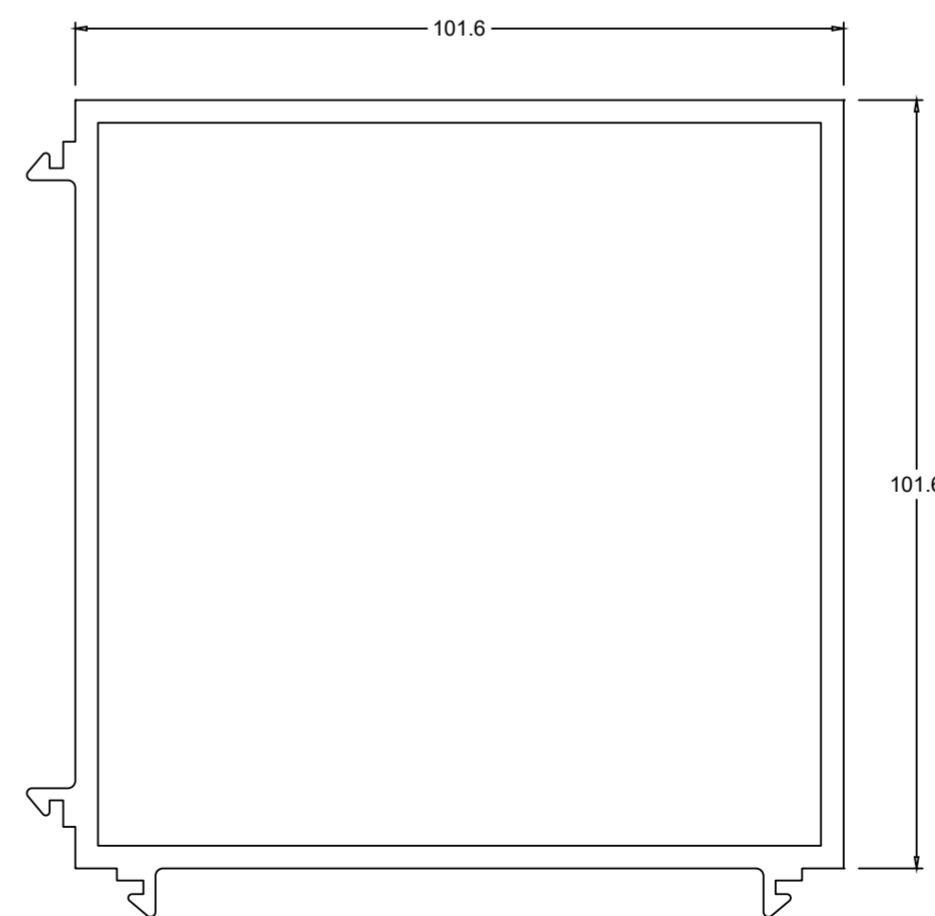
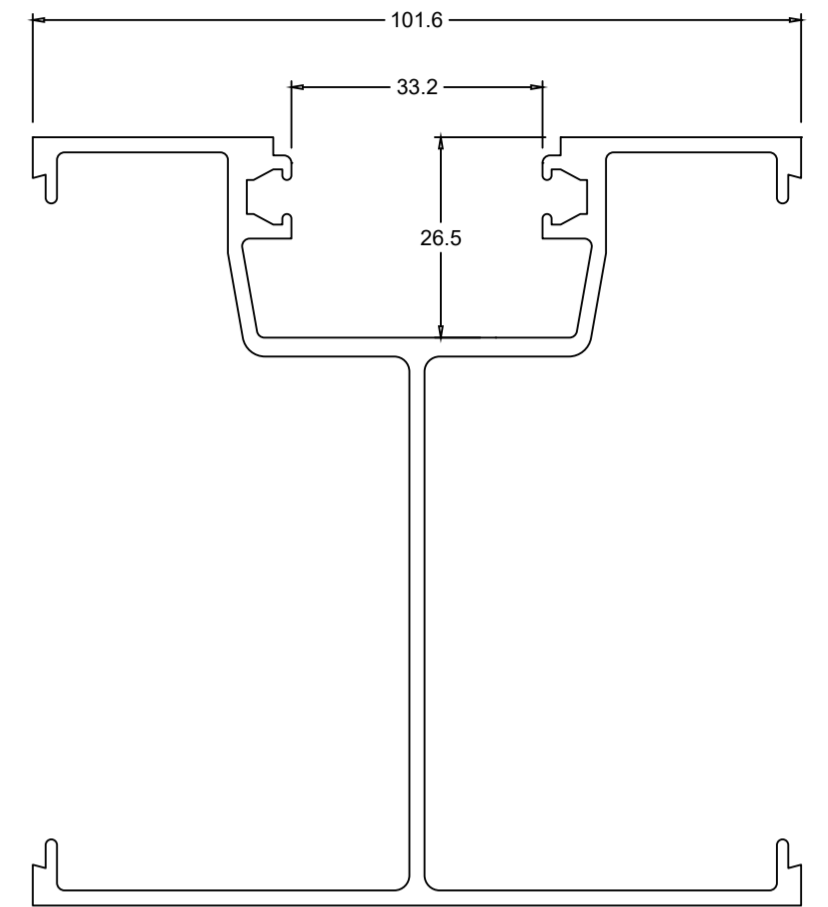
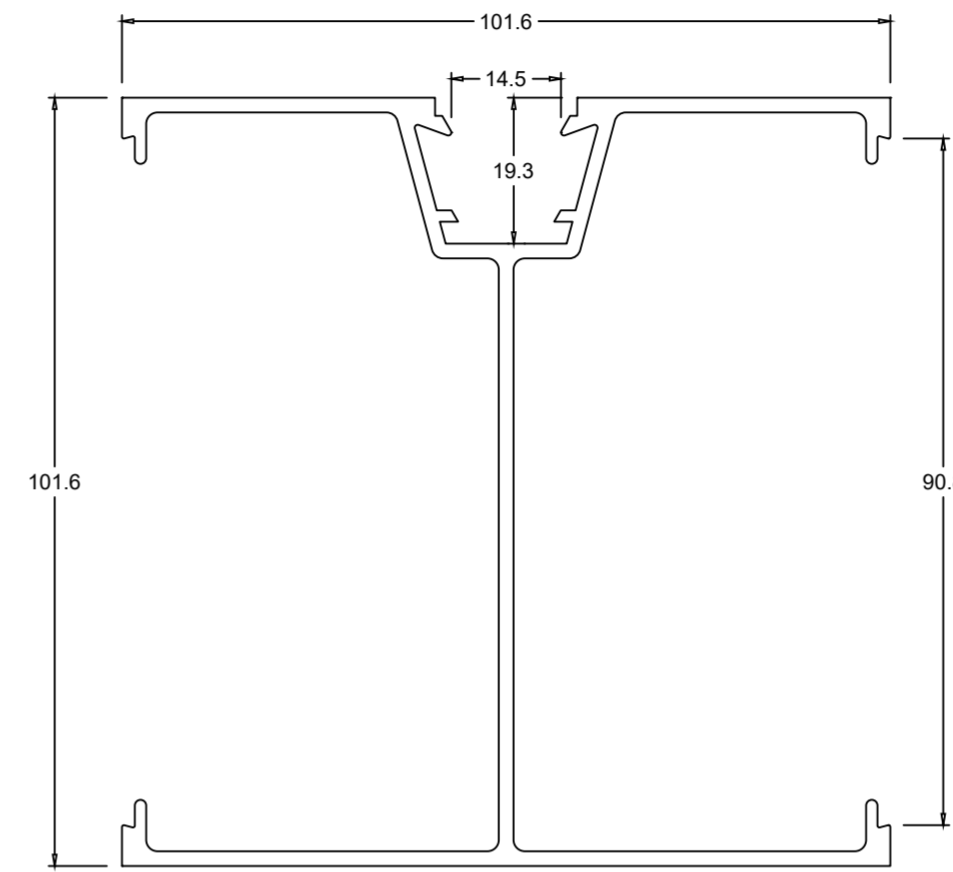
THRESHOLDS



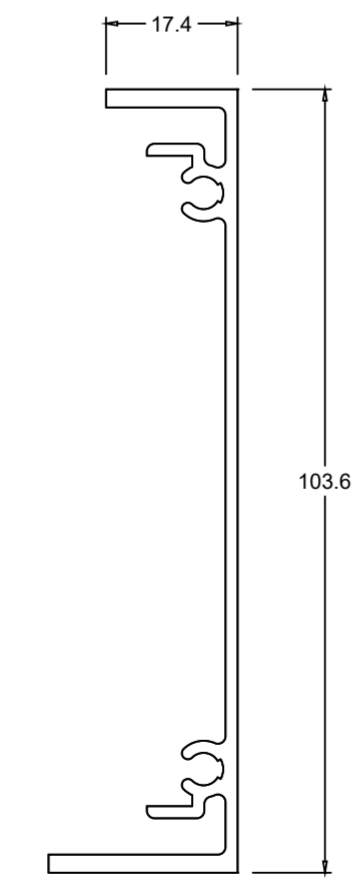
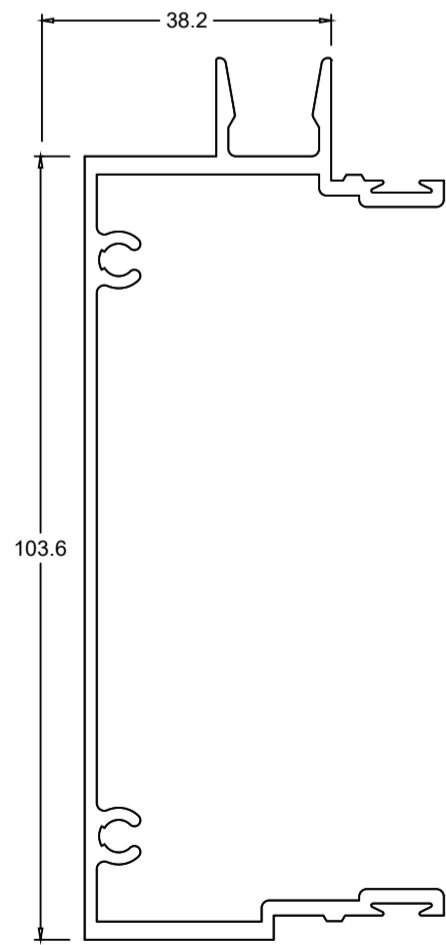
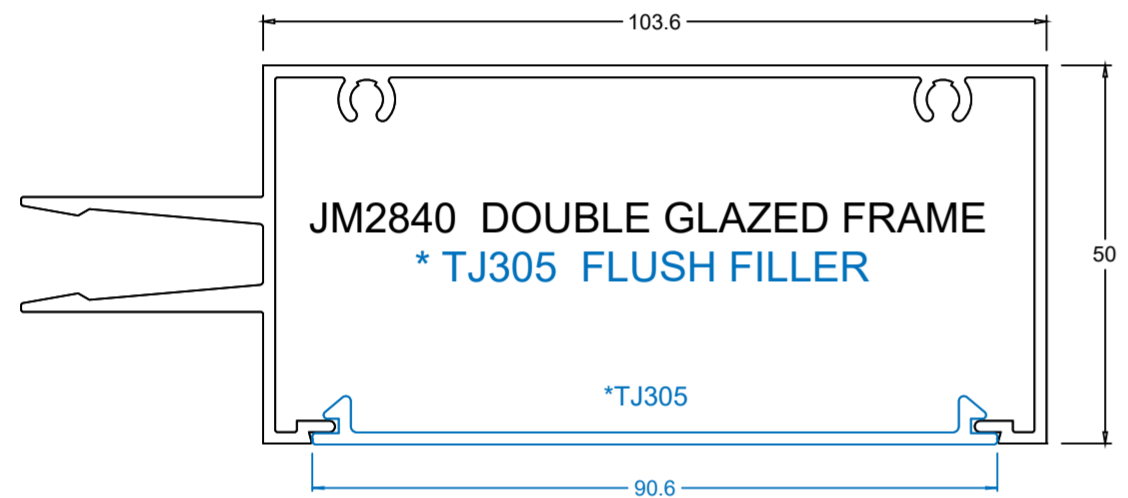
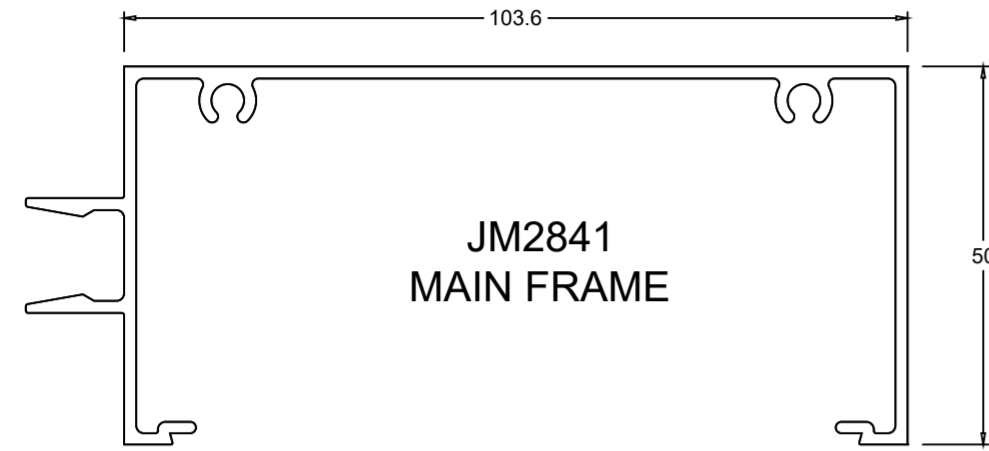
VENTIENT



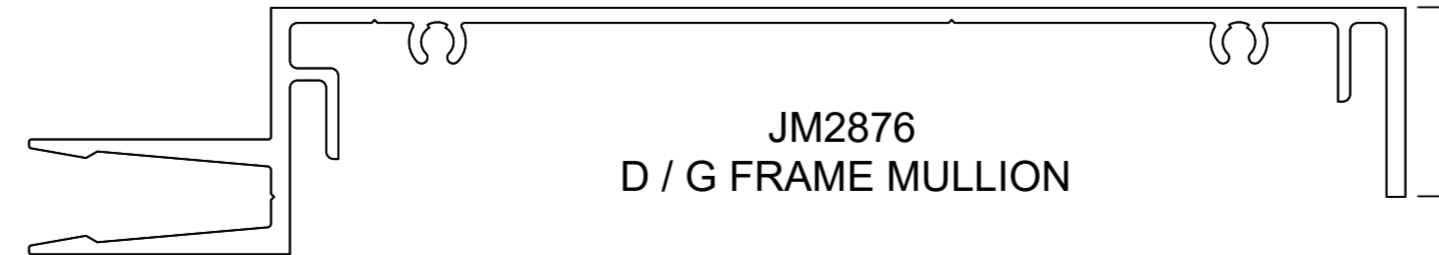
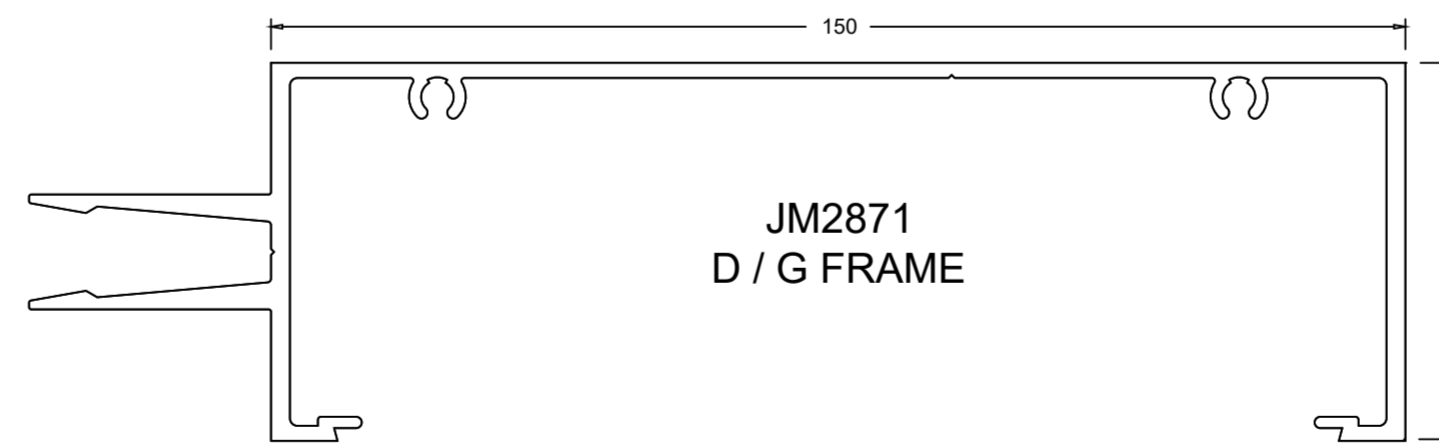
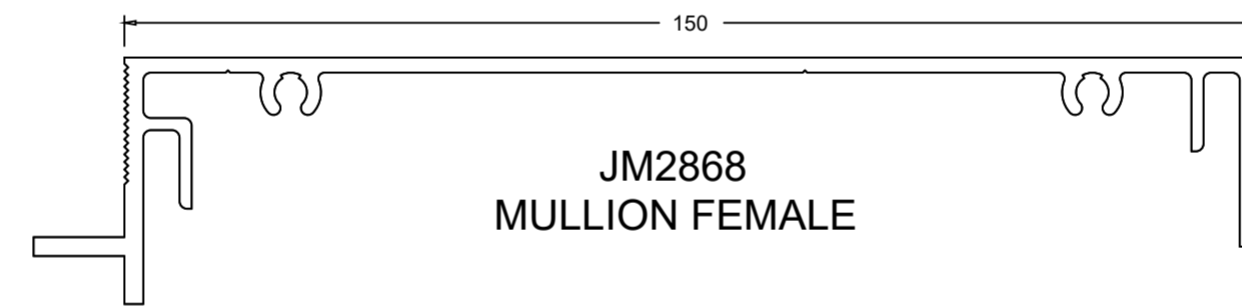
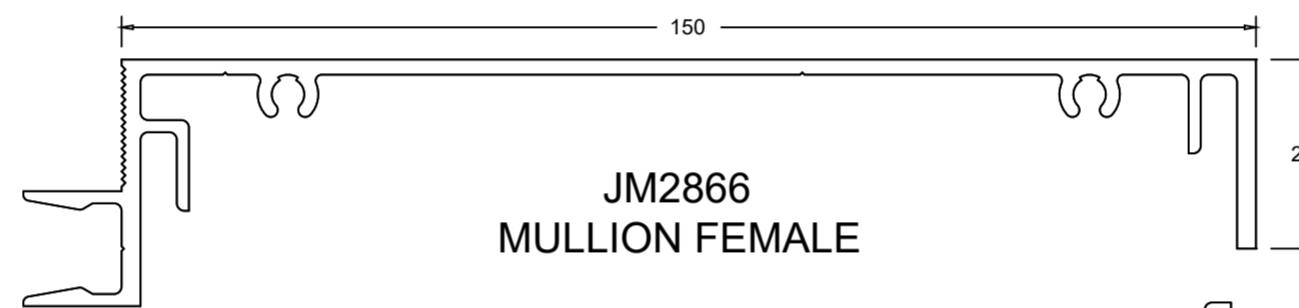
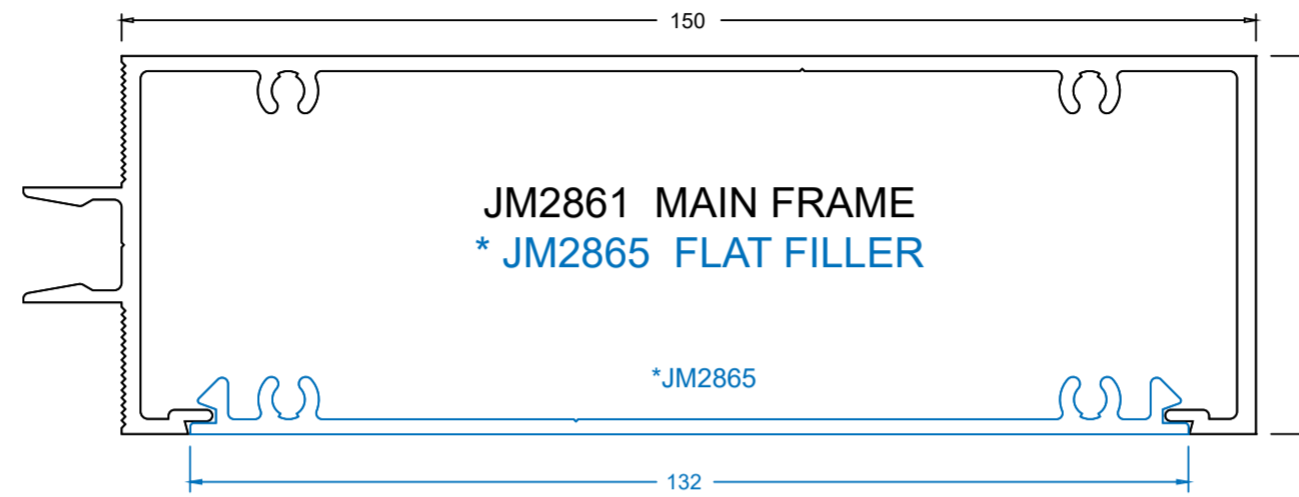
POSTS



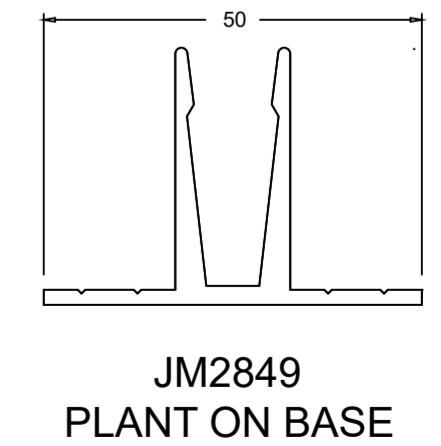
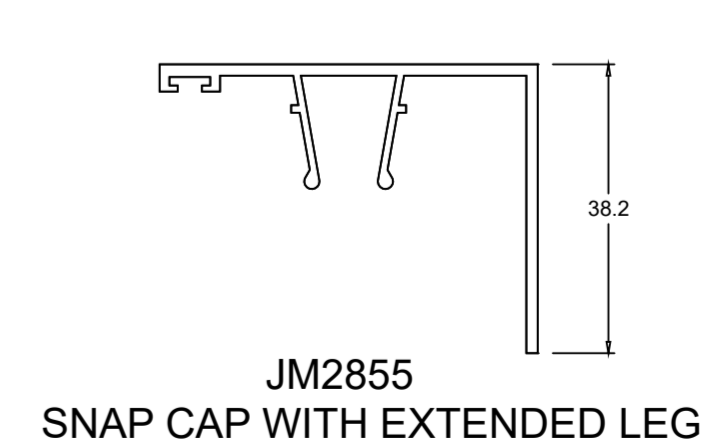
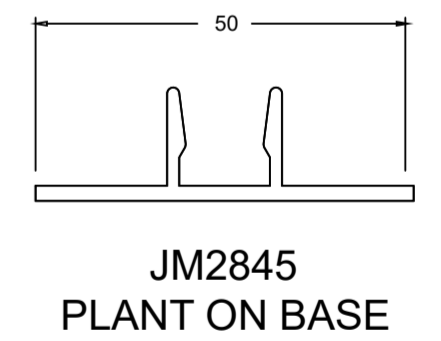
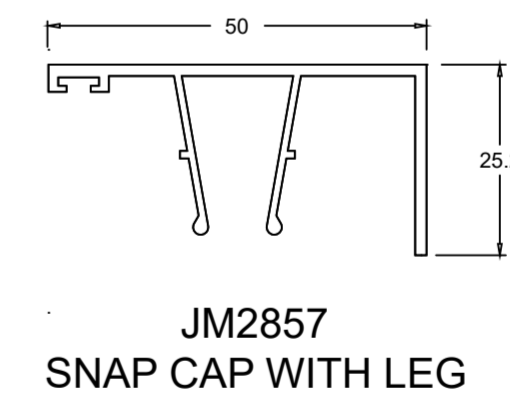
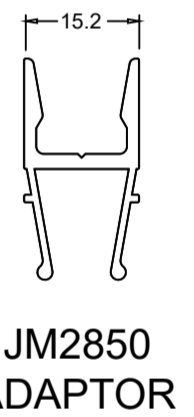
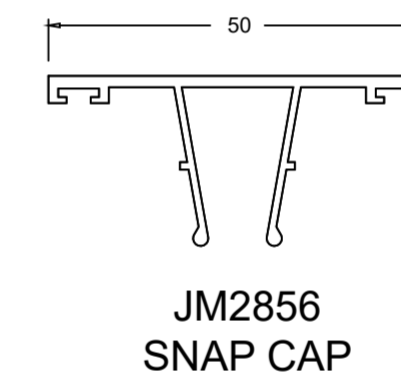
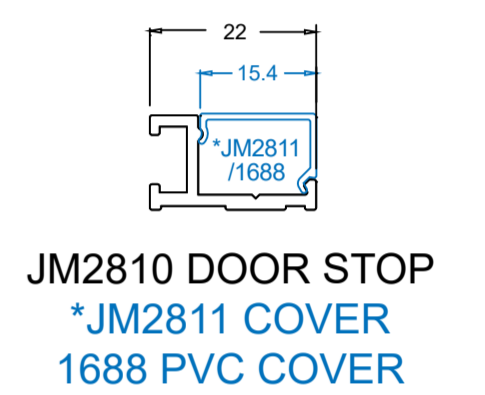
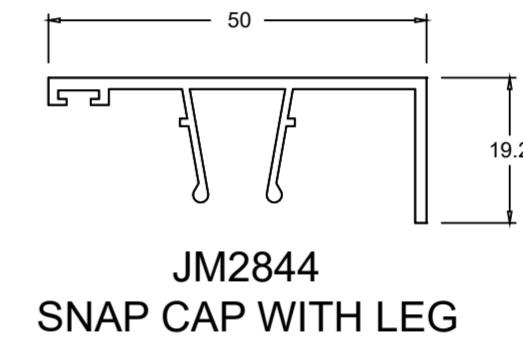
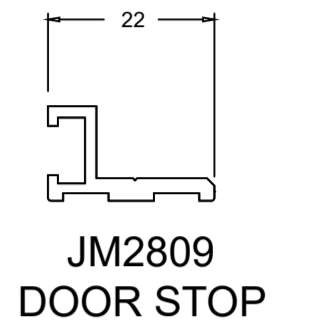
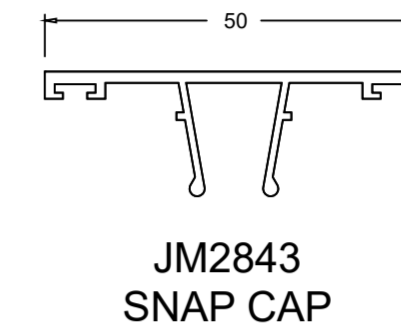
100mm x 50mm RANGE



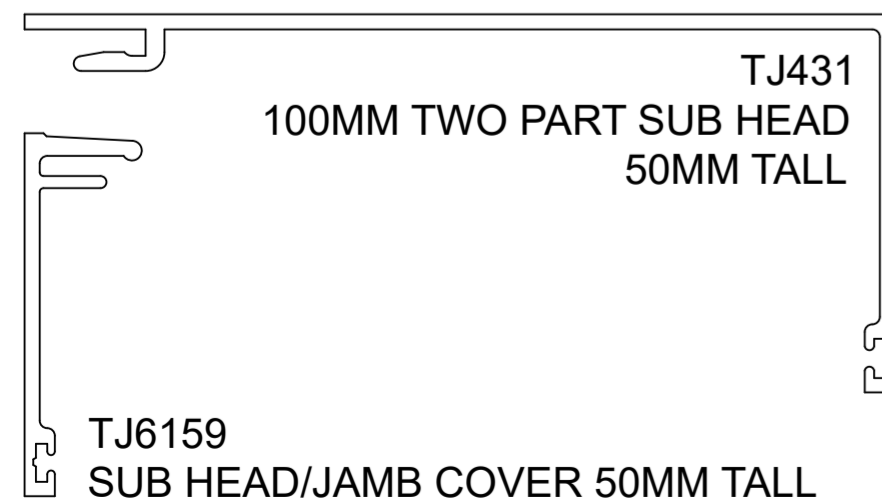
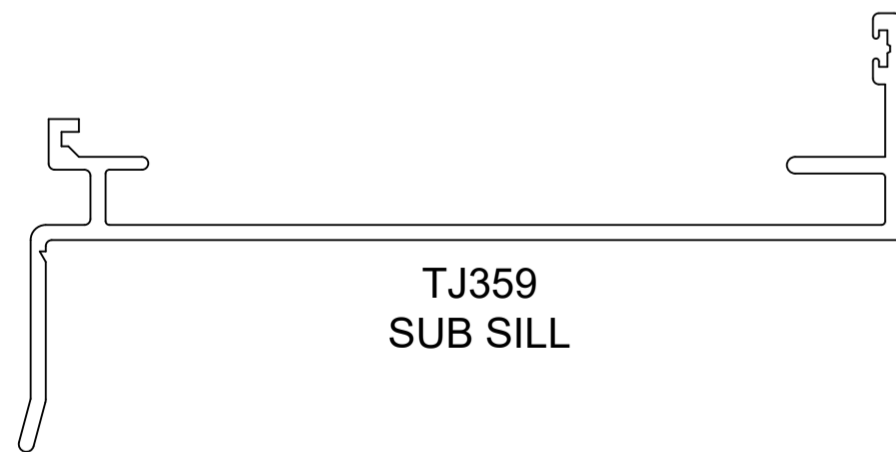
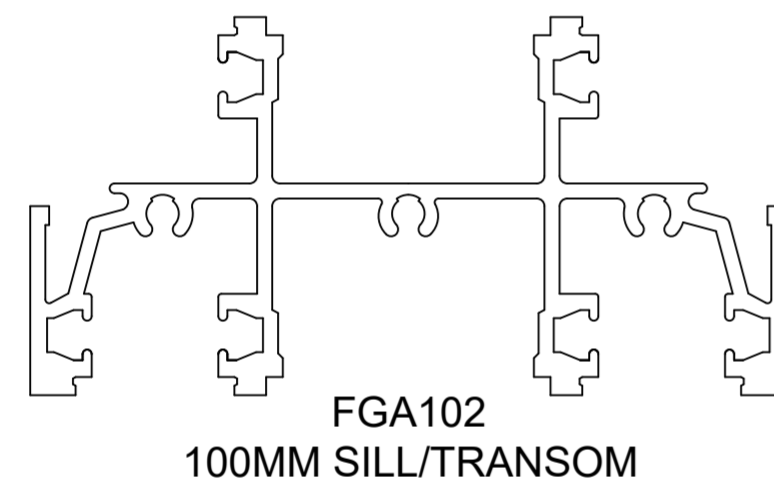
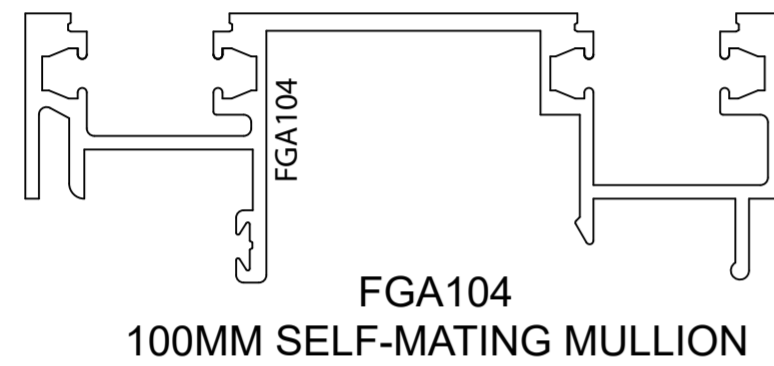
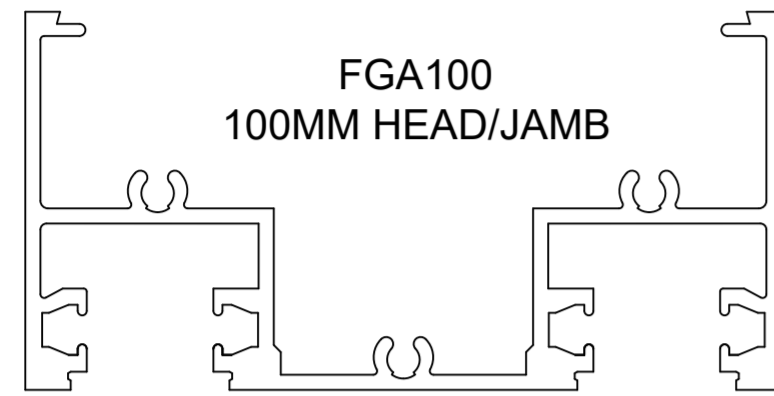
150mm x 50mm RANGE



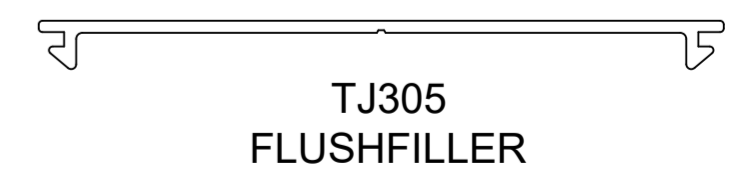
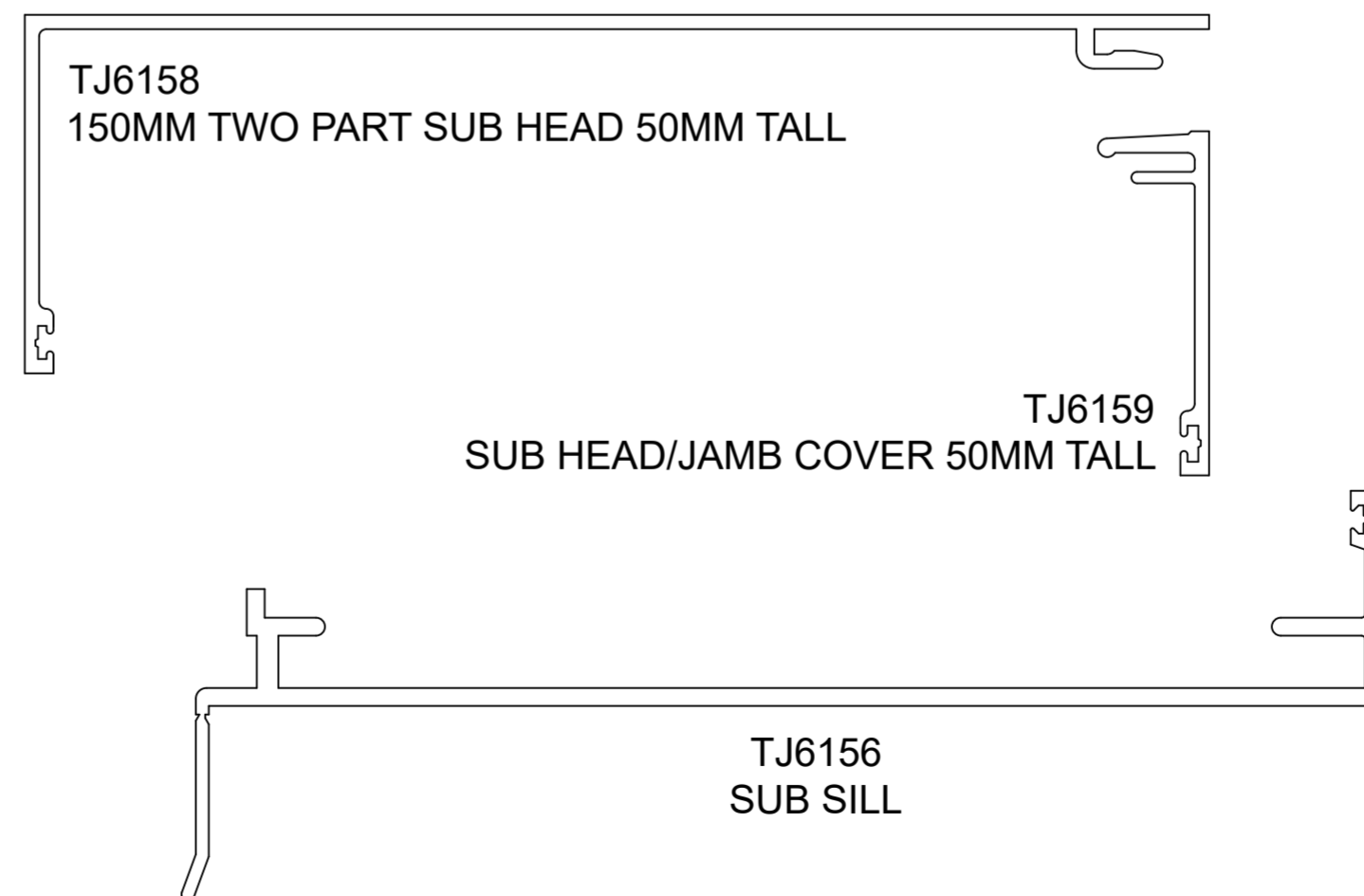
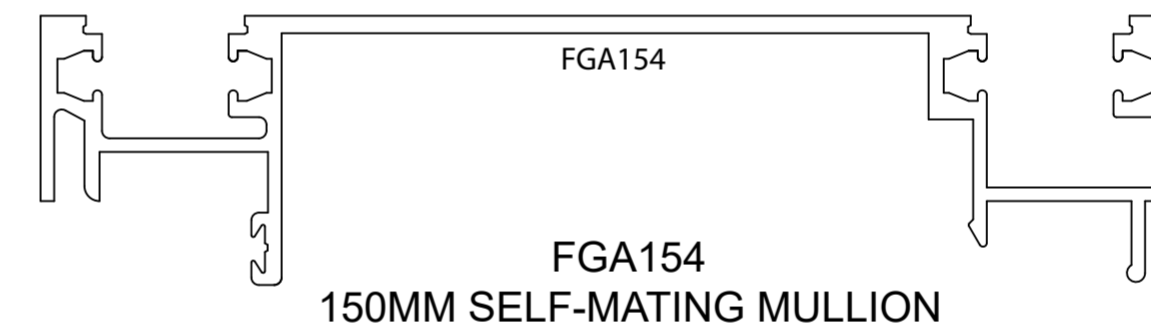
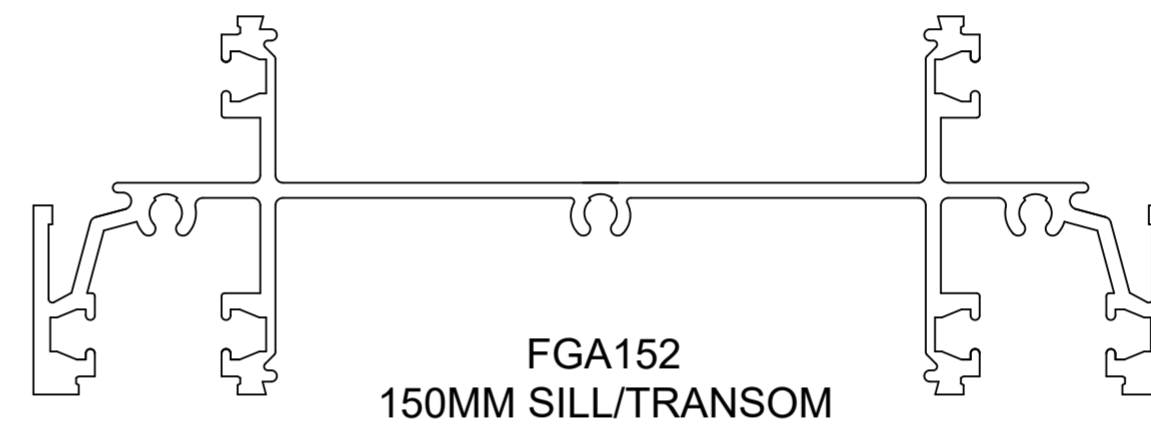
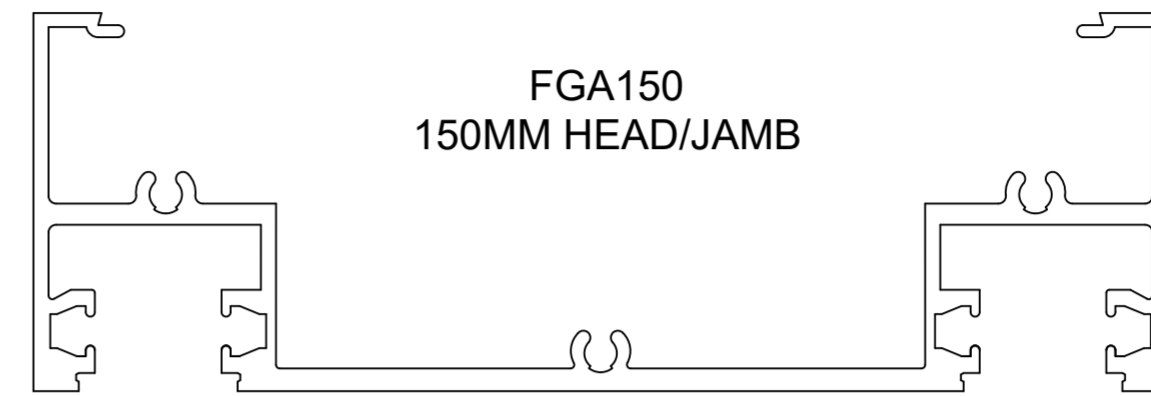
CAPS & BASES

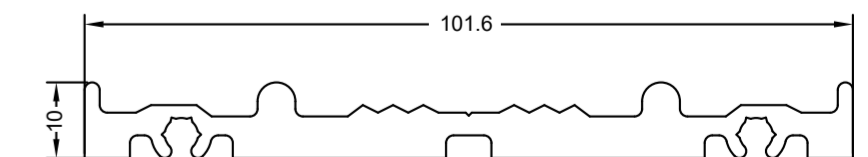
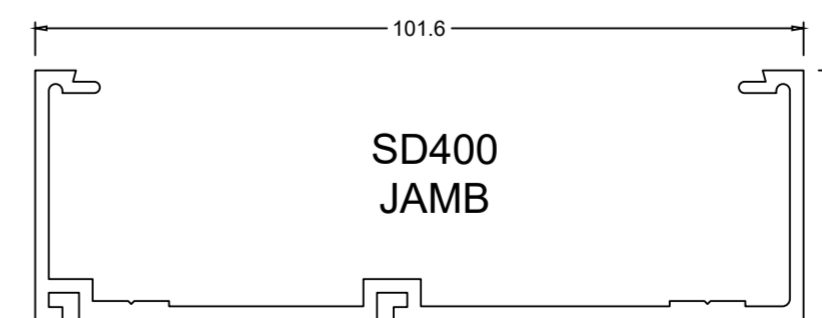
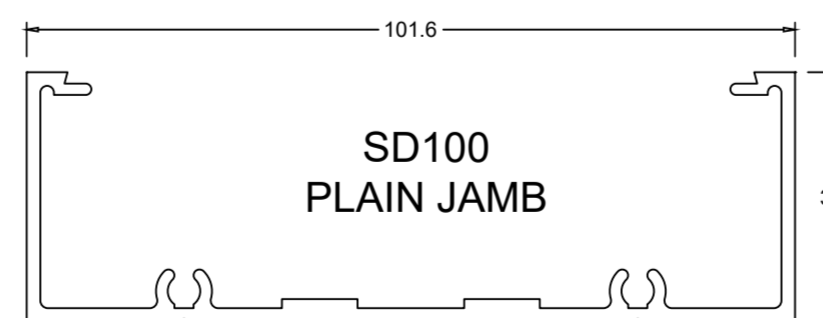
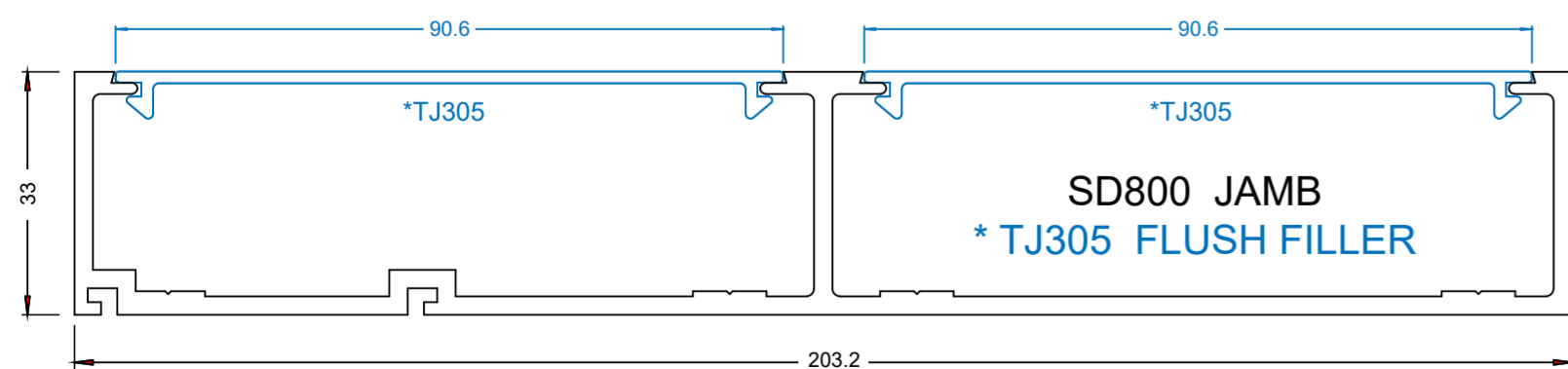
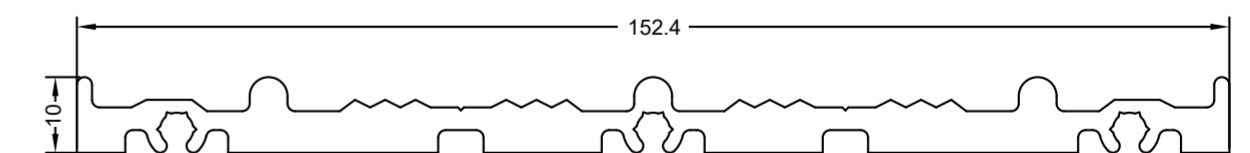
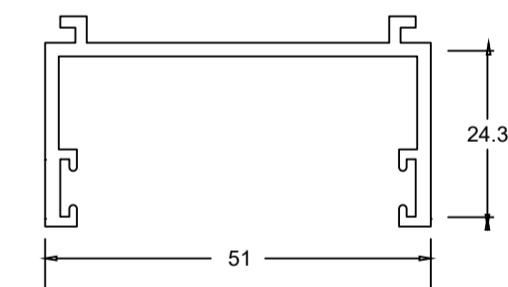
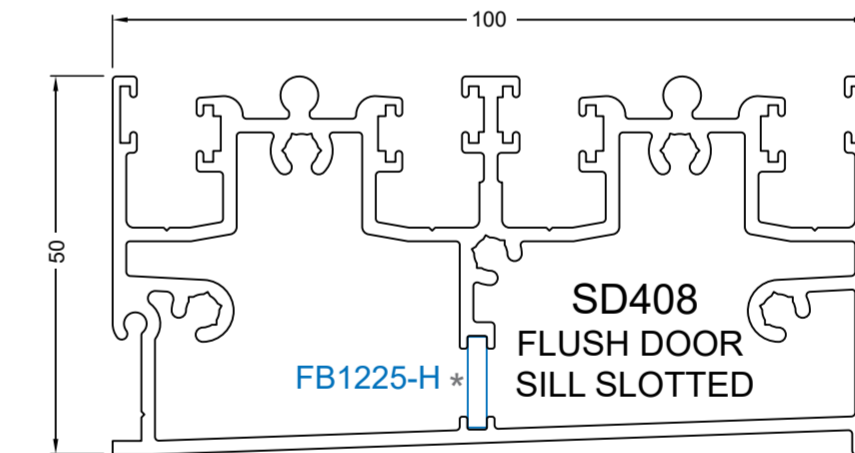
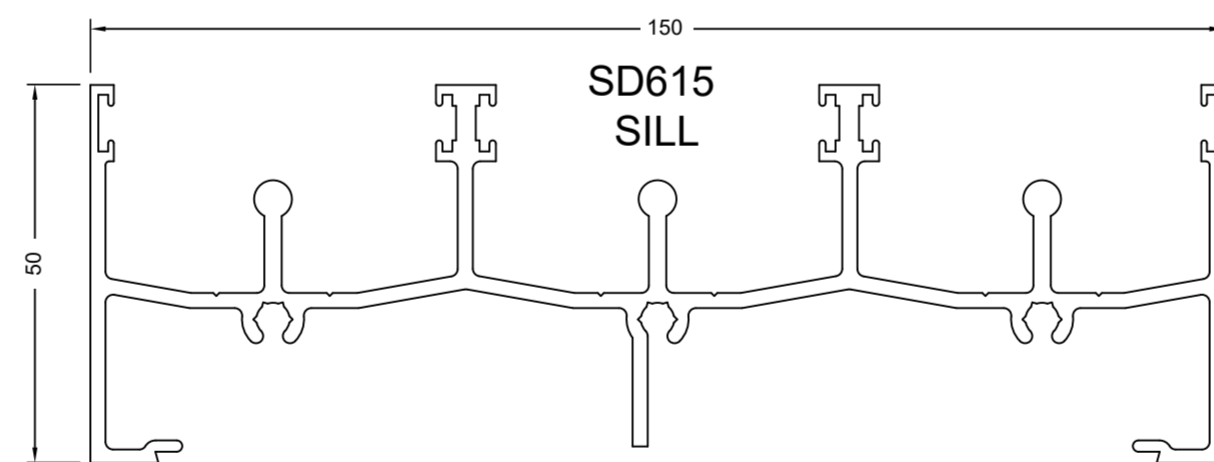
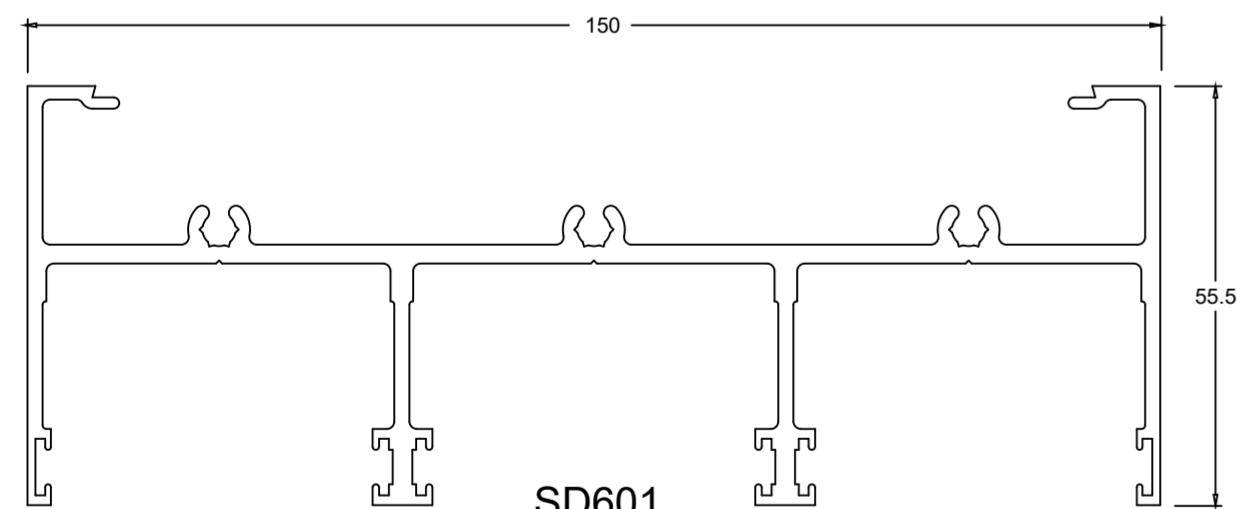
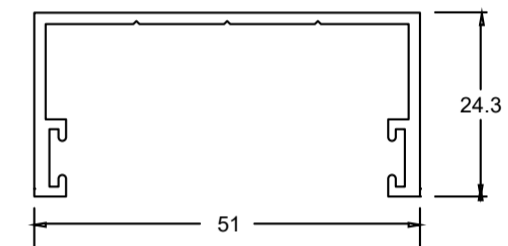
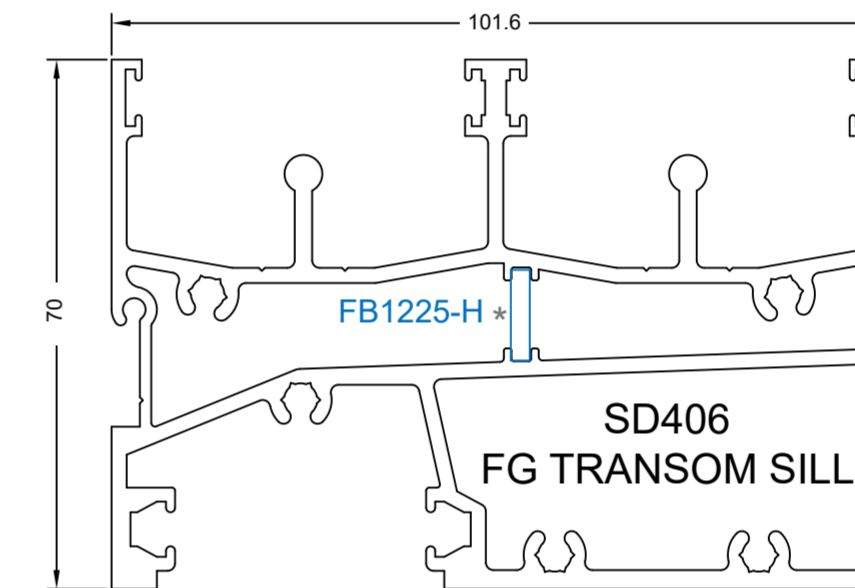
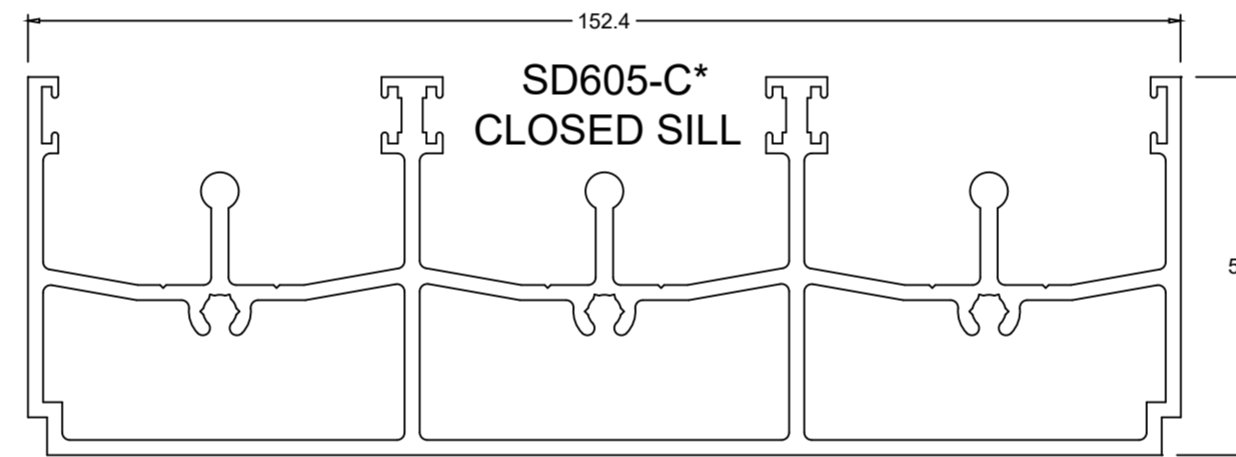
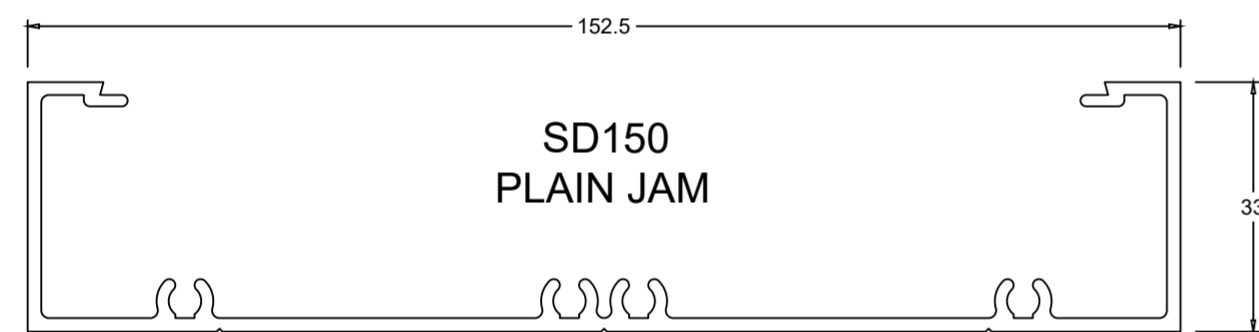
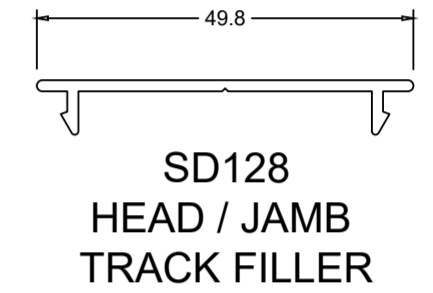
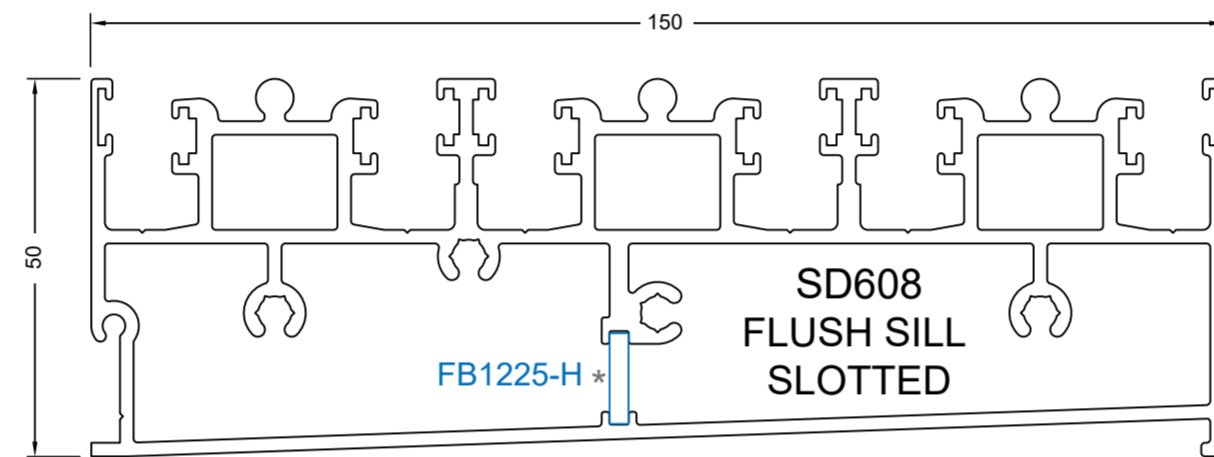
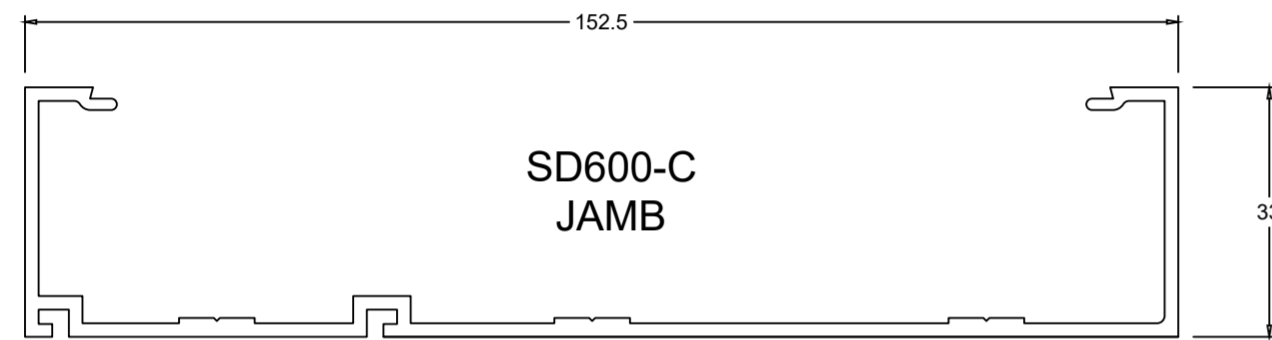
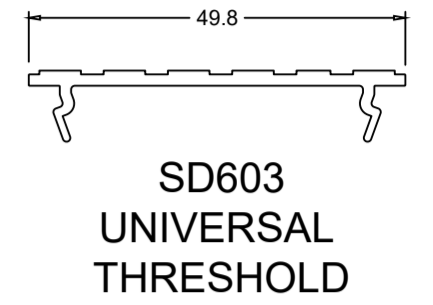
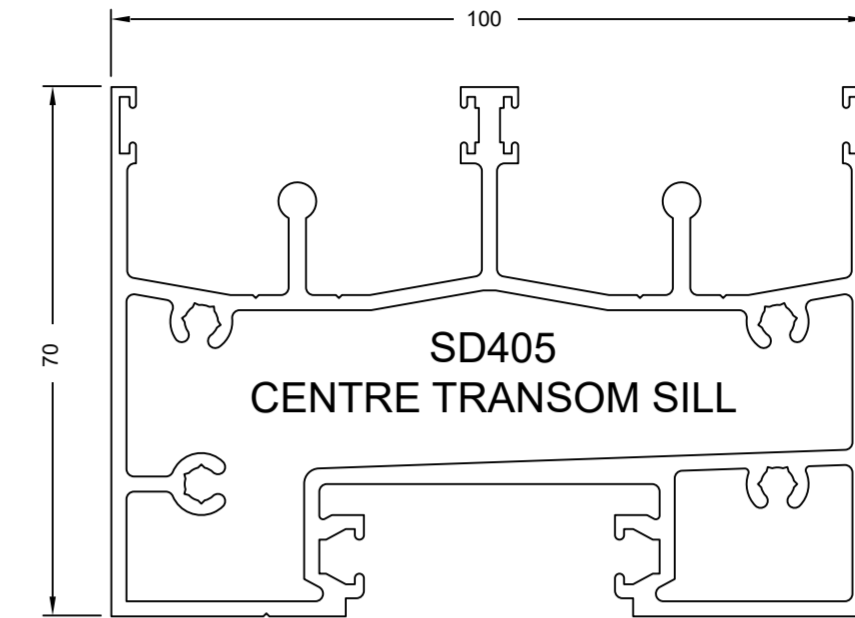
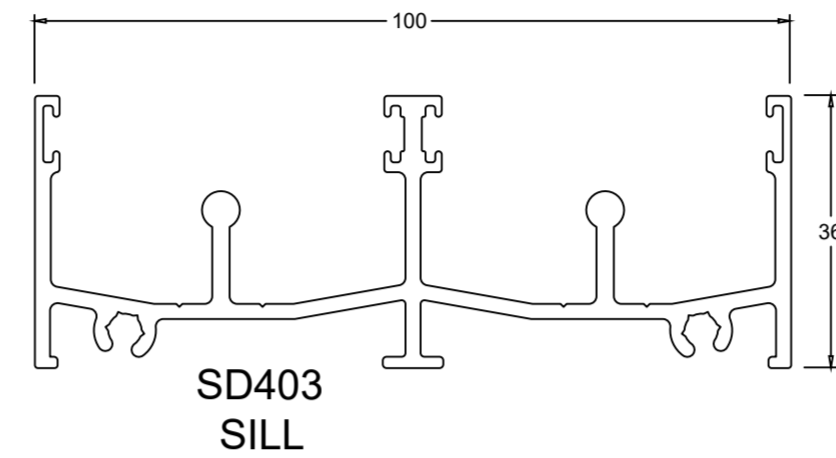
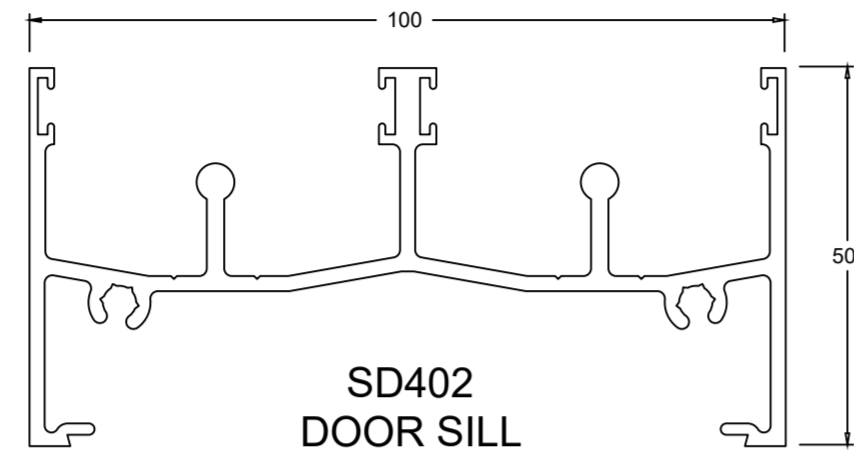
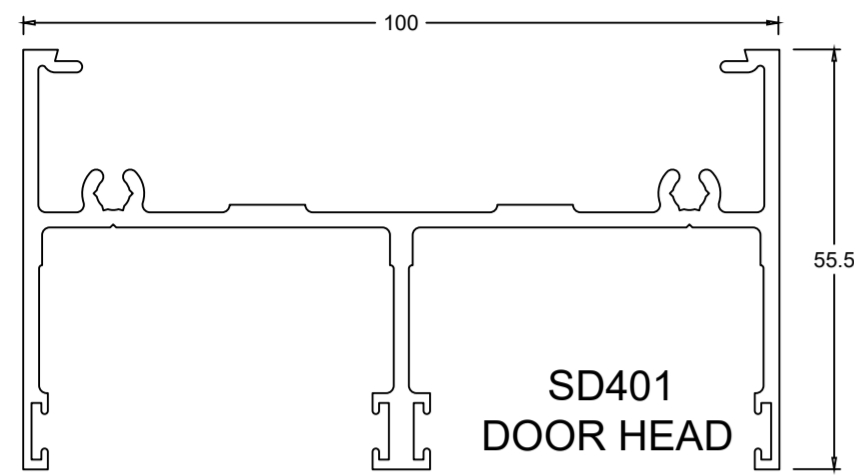


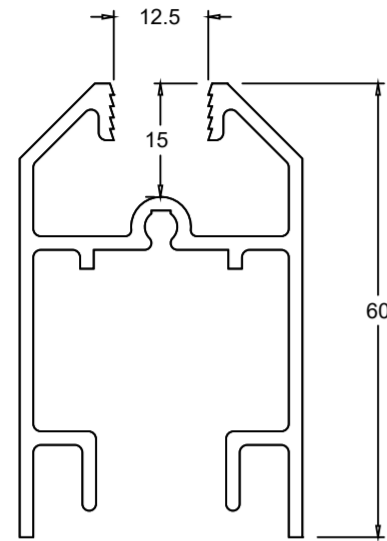
100mm ACOUSTIC FRAME



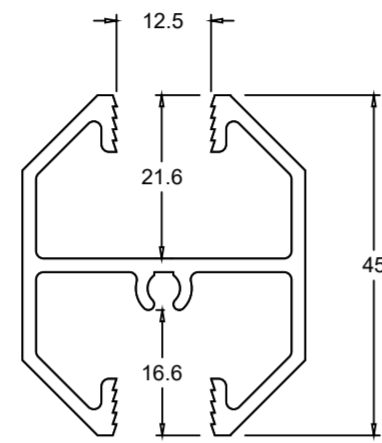
150mm ACOUSTIC FRAME



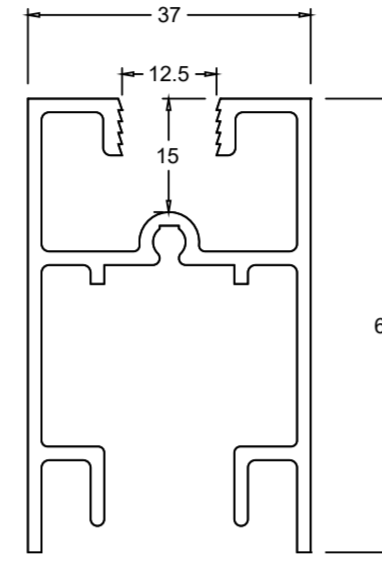




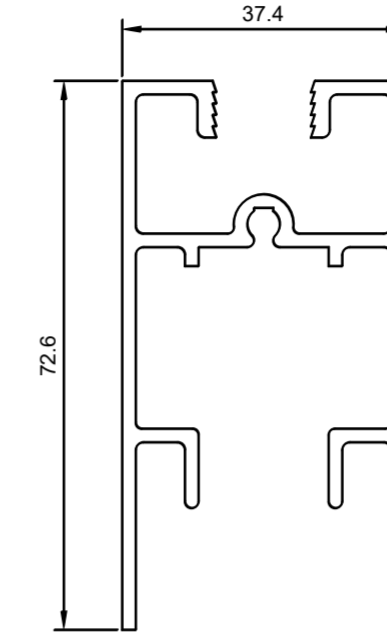
SD104
RAKED TOP RAIL



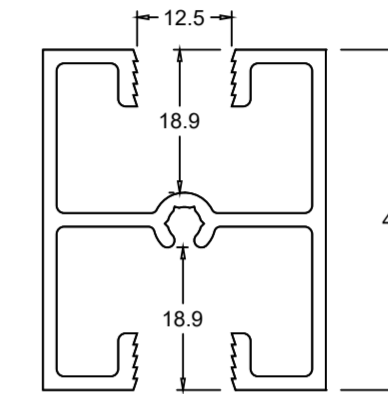
SD110
RAKED MID RAIL



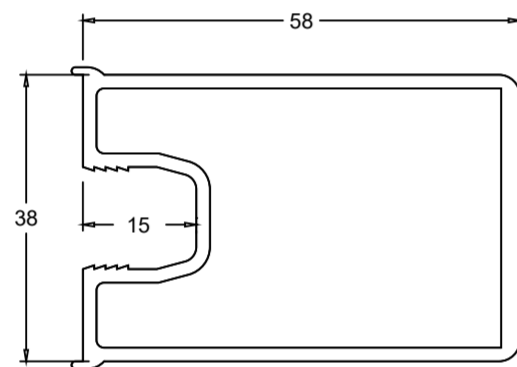
SD119
SQUARE RAIL



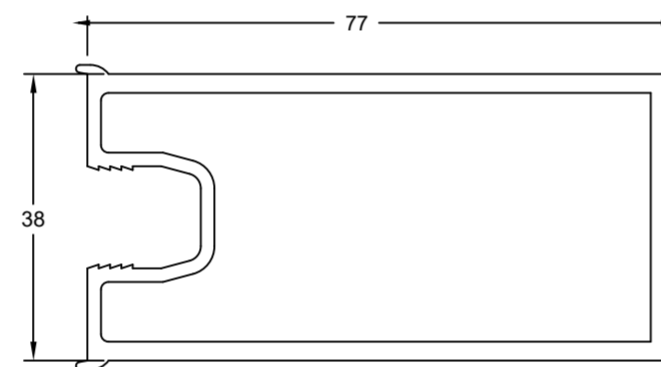
SD149
TALL SQUARE RAIL



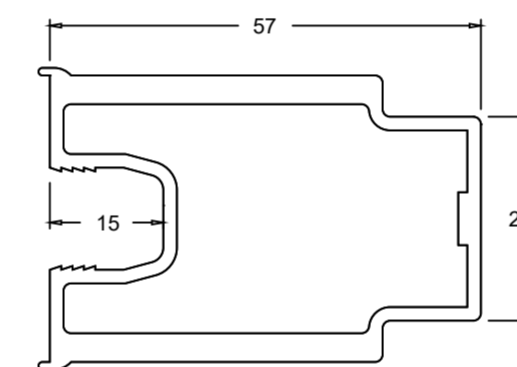
SD123
SQUARE MID RAIL



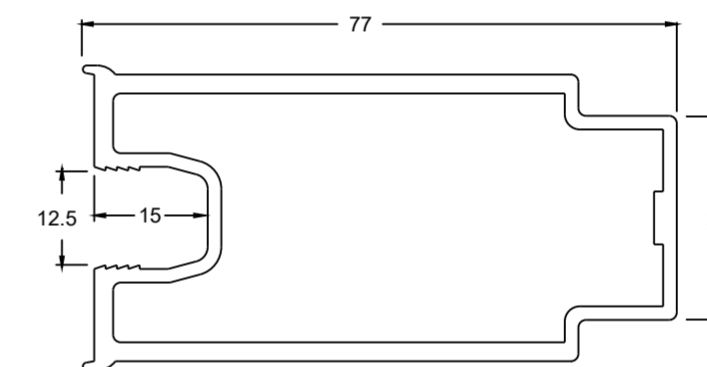
SD105
PLAIN STILE



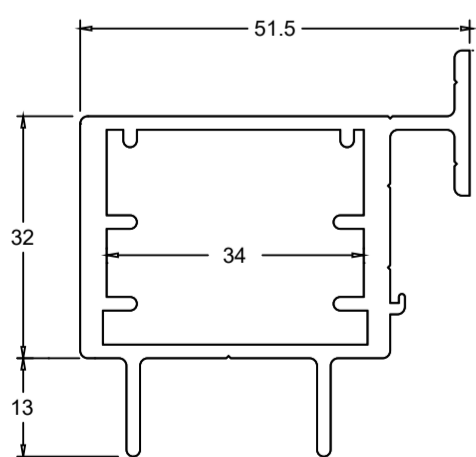
SD162
WIDE STILE



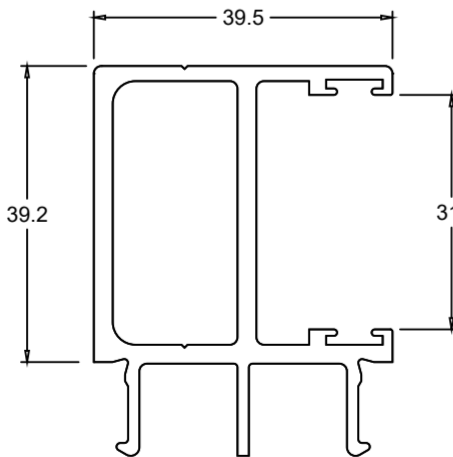
SD141
MALE MEETING STILE



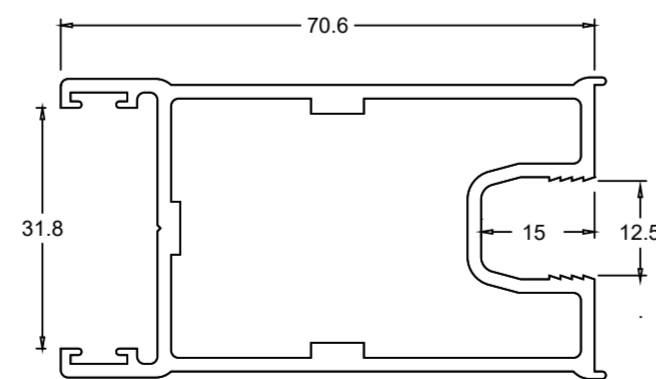
SD161
WIDE MALE STILE SG



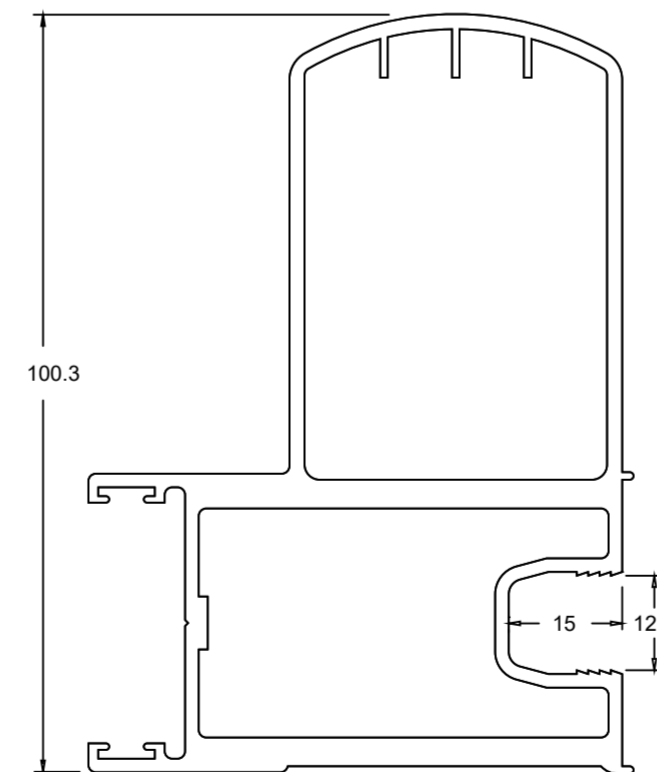
SD131
OXO ADAPTOR



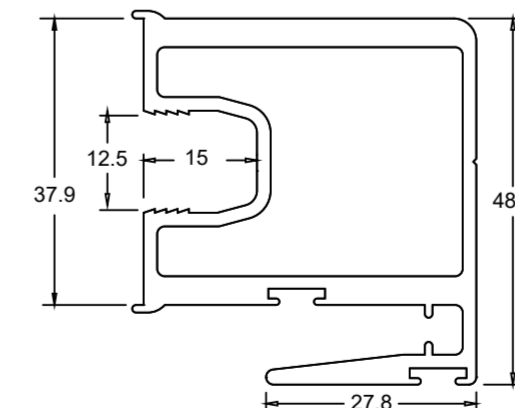
SD164
CORNER MEETING STILE FEMALE



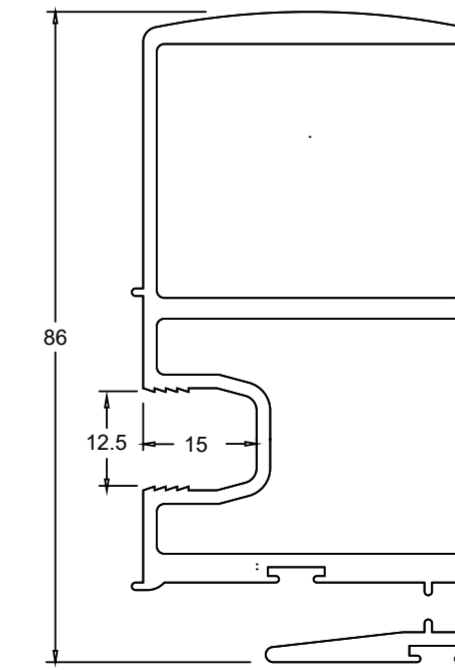
SD109
FEMALE MEETING STILE



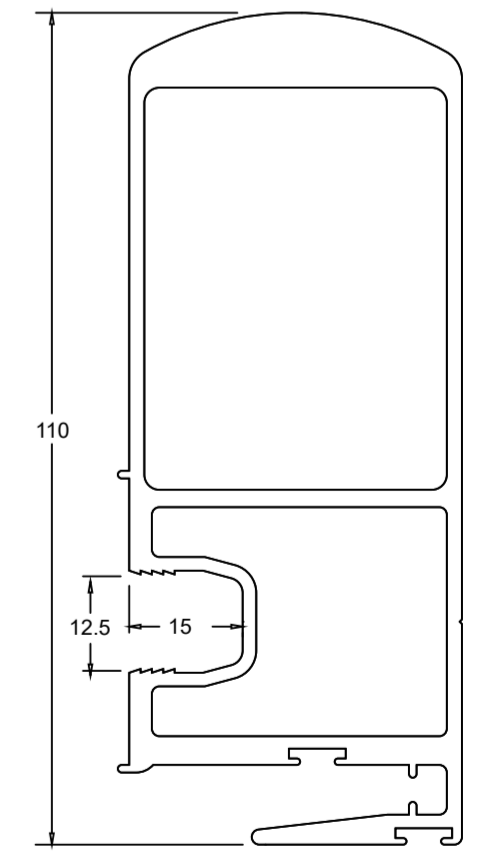
SD136
H/D FEMALE MEETING STILE



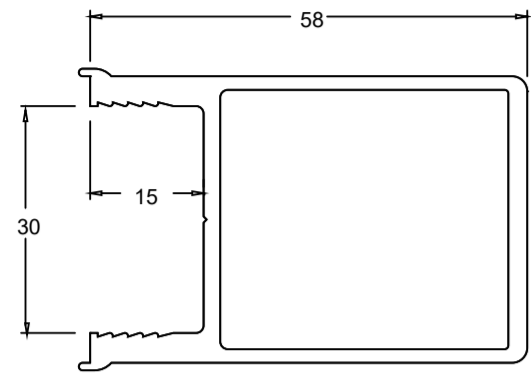
SD106
INTERLOCK



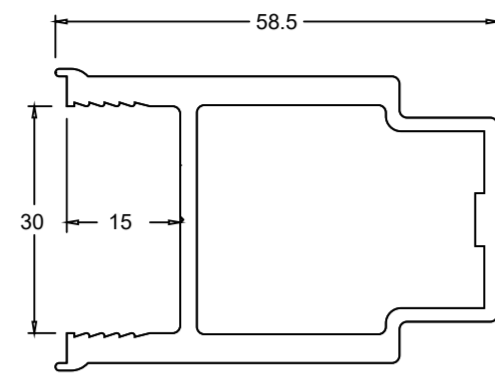
SD137
BOX INTERLOCK



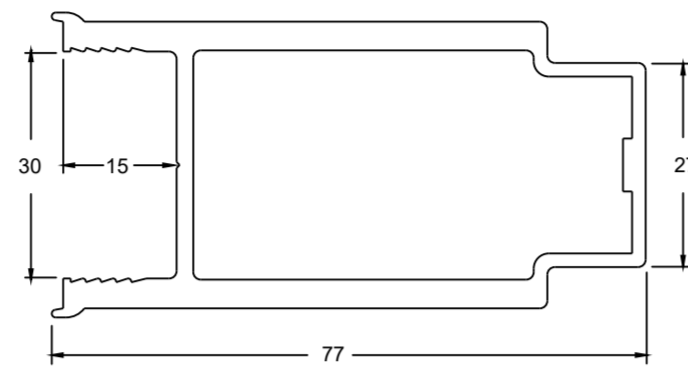
SD139 H/D BOX
INTERLOCK



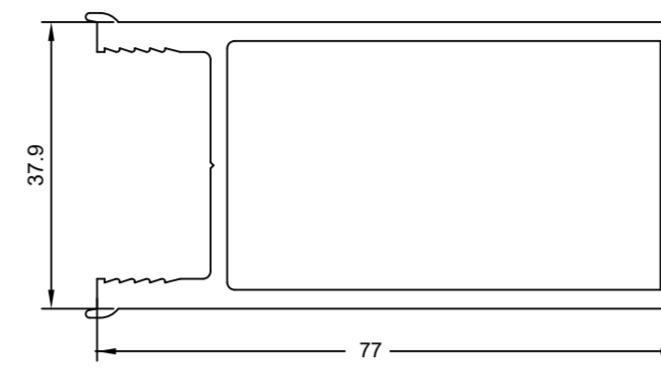
SD124
PLAIN LOCK STILE



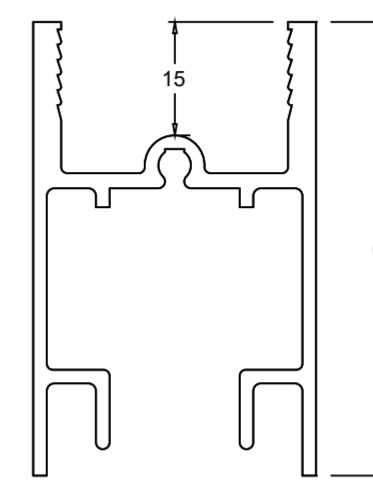
SD146
MALE BIPART



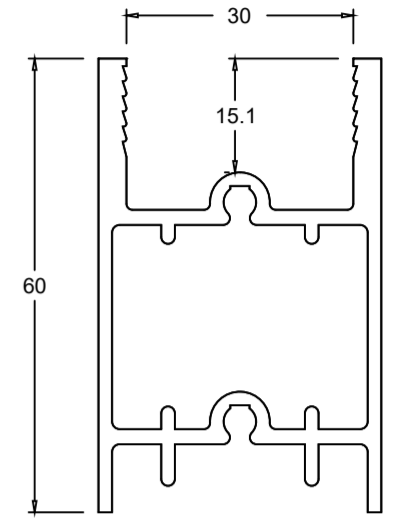
SD170
WIDE MALE STILE DG



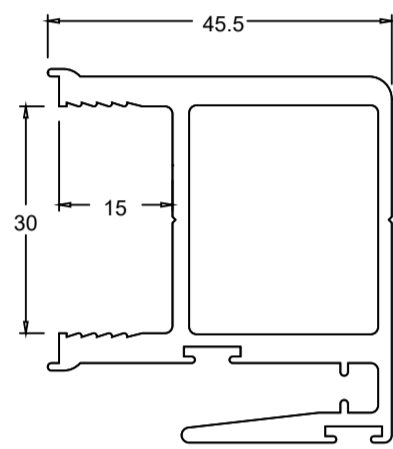
SD172
WIDE STILE DG



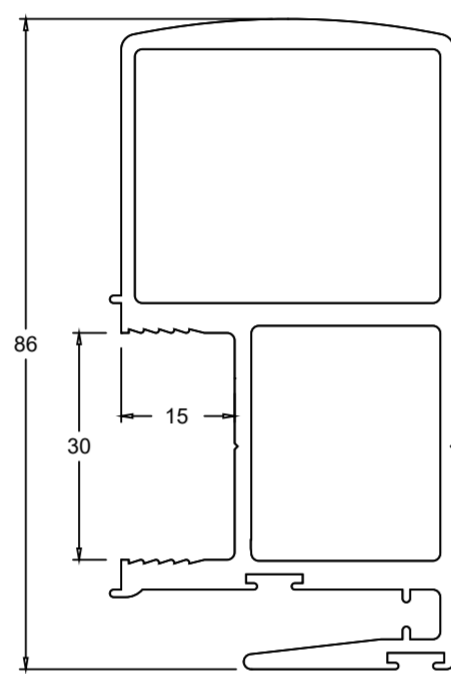
SD127
DOOR RAIL



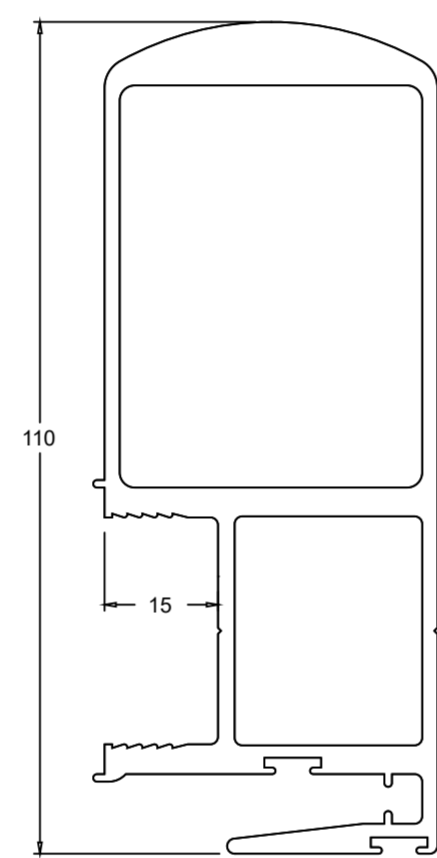
SD156
H/D BOX RAIL



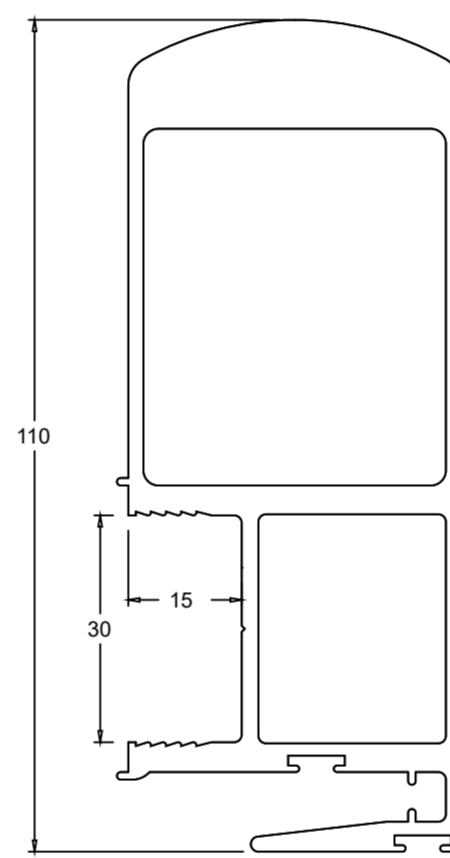
SD125
STD INTERLOCK



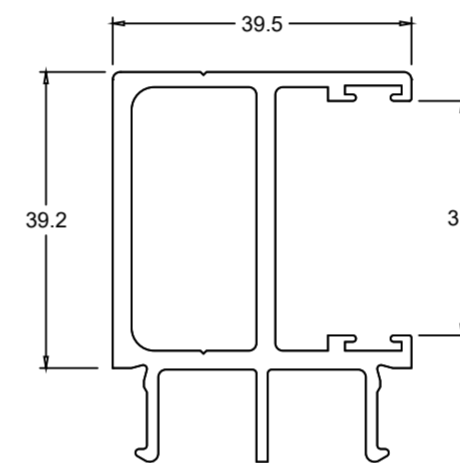
SD151
BOX INTERLOCK
STILE



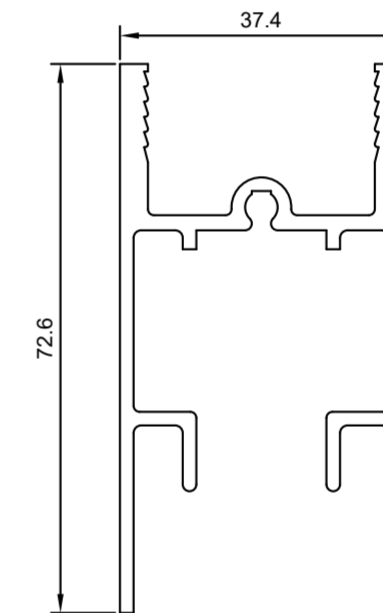
SD152
H/D BOX
INTERLOCK STILE



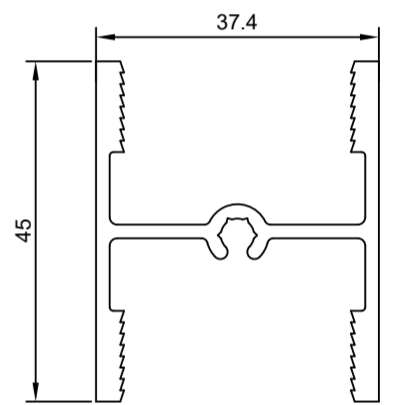
SD158
EXTRA H/D LARGE
BOX INTERLOCK



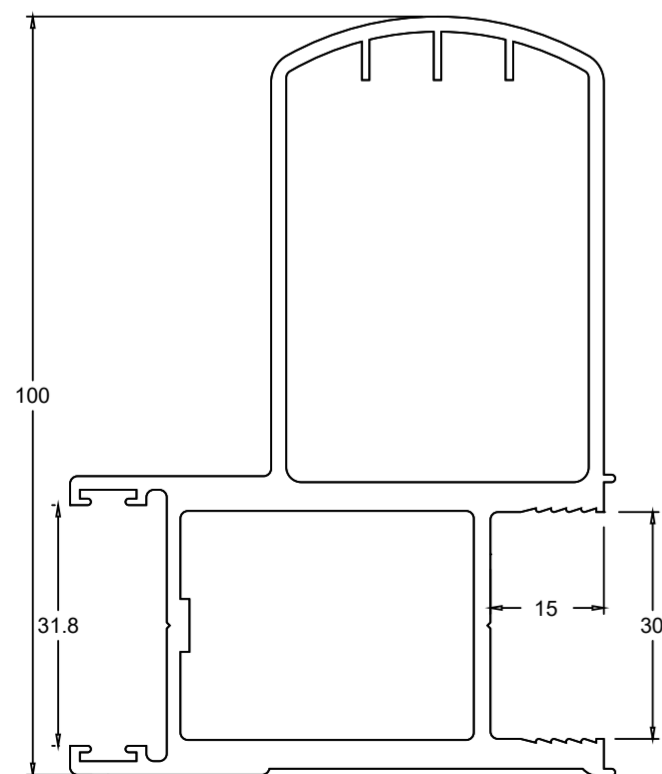
SD164
CORNER
MEETING
STILE FEMALE



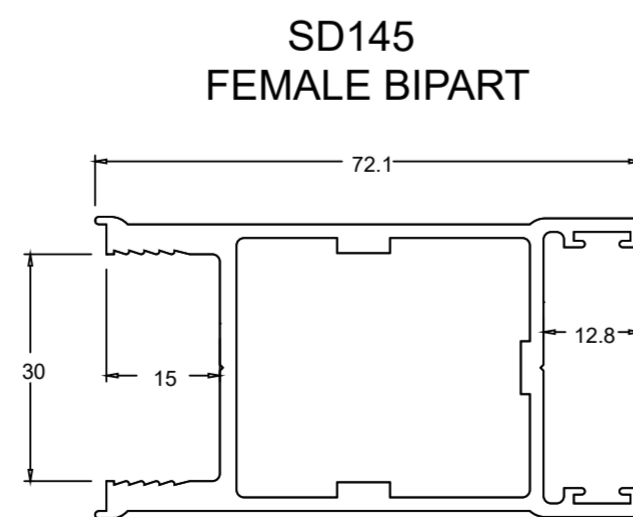
SD169
TALL RAIL DG



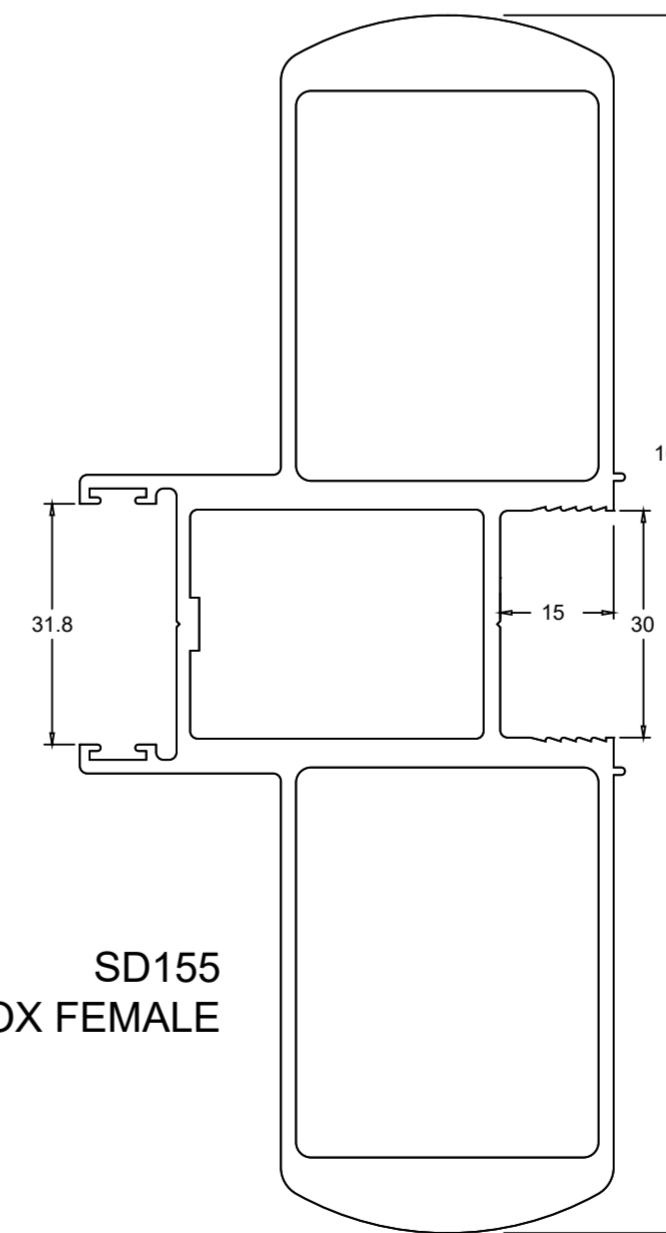
SD148
MIDRAIL DG



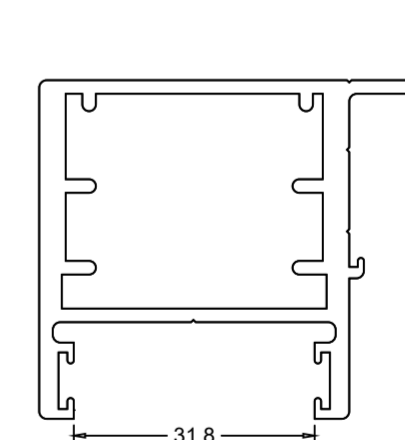
SD153
H/D FEMALE
MEETING STILE



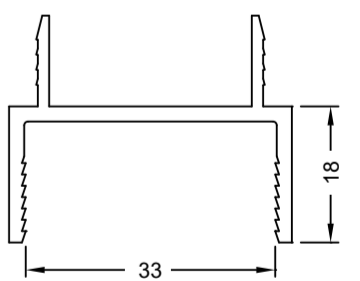
SD145
FEMALE BIPART



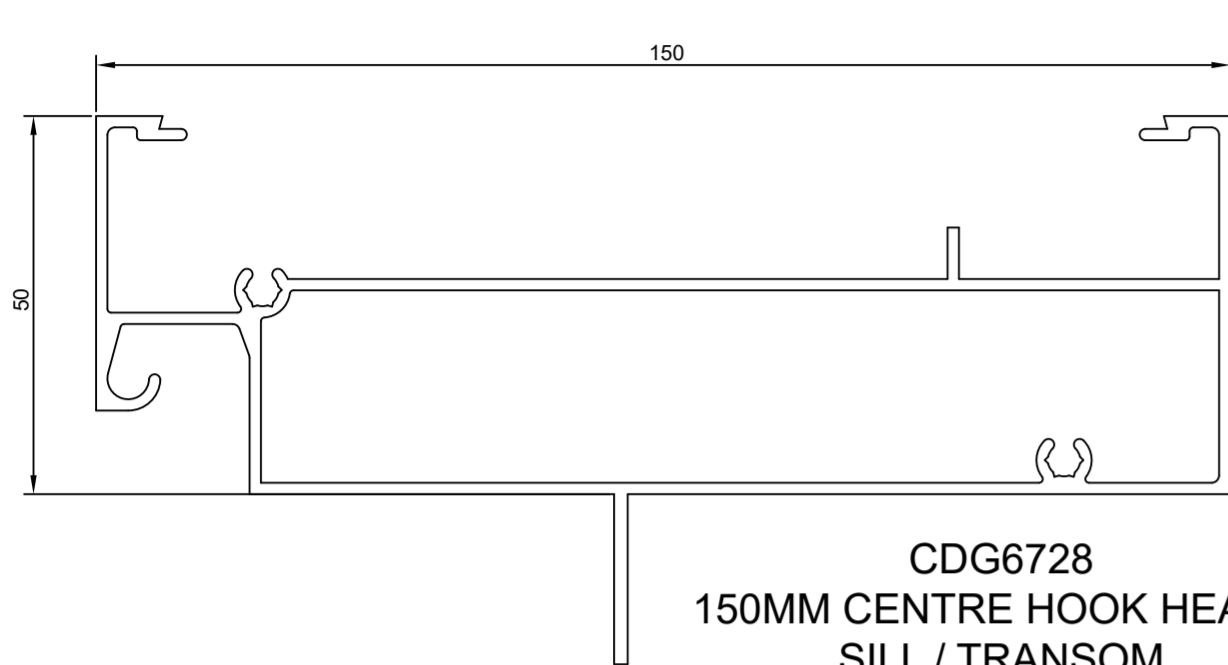
SD155
DOUBLE BOX FEMALE



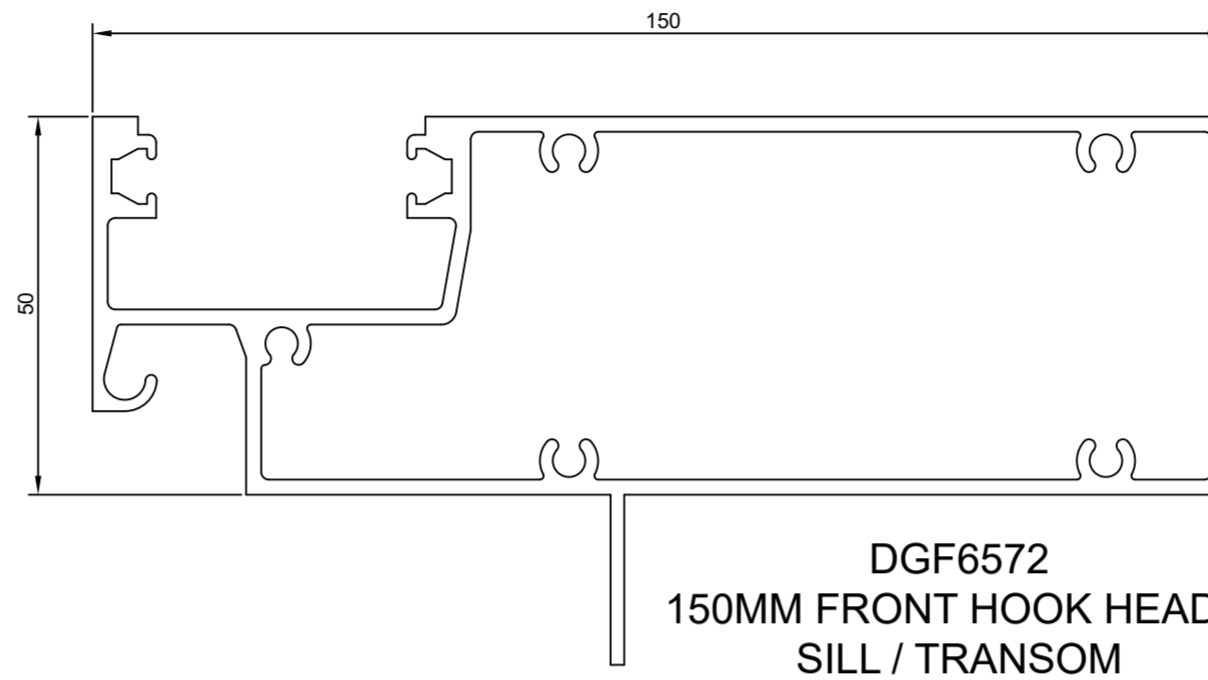
SD154
OXO ADAPTOR



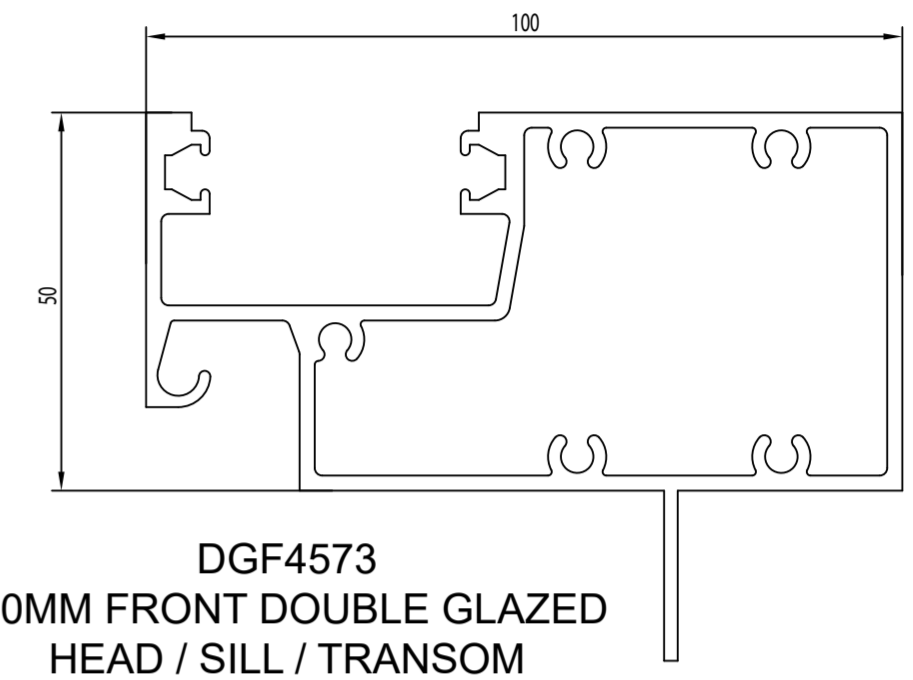
SD157
30mm GLAZING
ADAPTOR



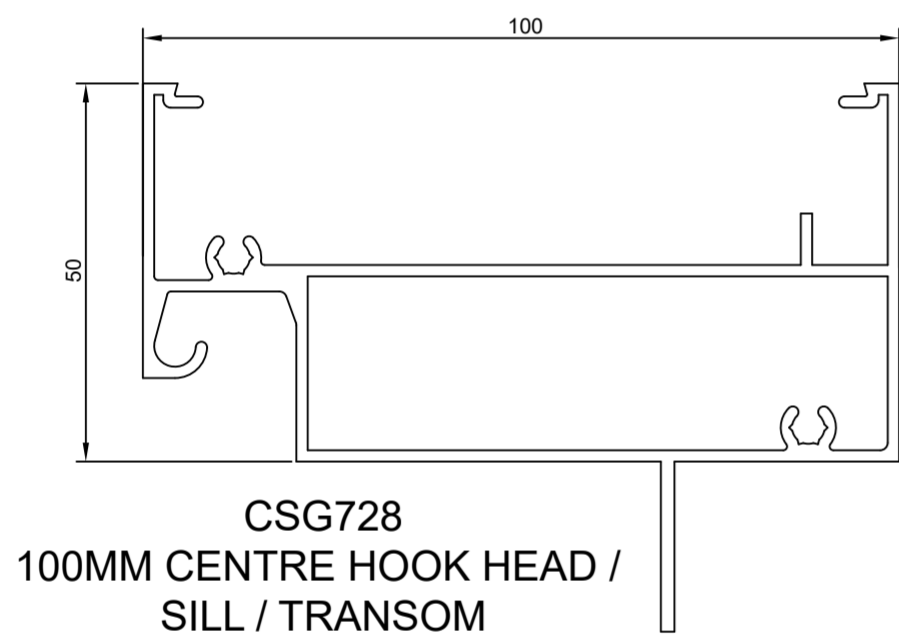
CDG6728
150MM CENTRE HOOK HEAD /
SILL / TRANSOM



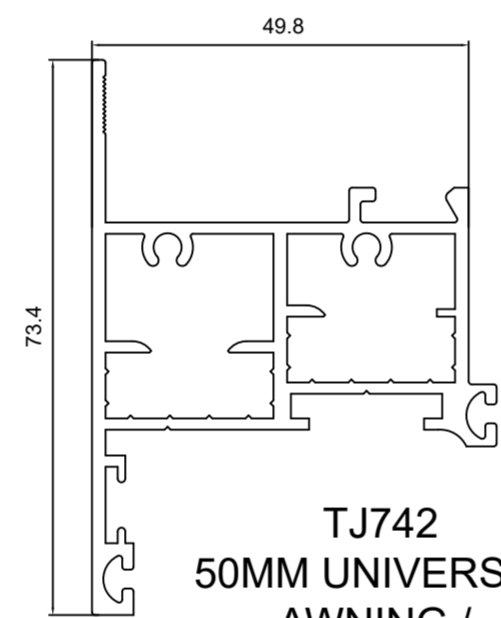
DGF6572
150MM FRONT HOOK HEAD /
SILL / TRANSOM



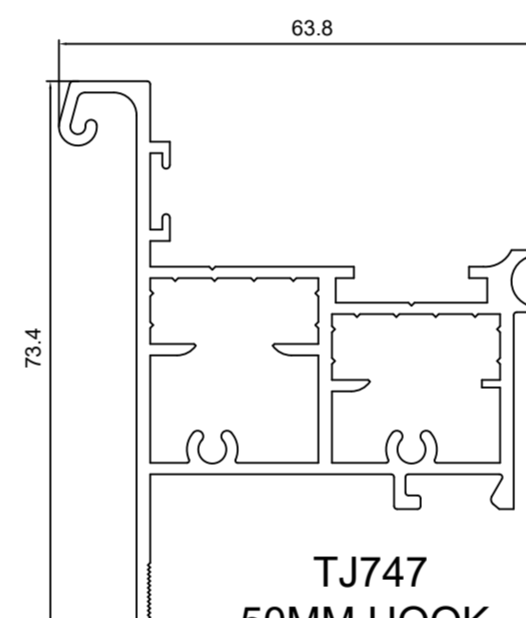
DGF4573
100MM FRONT DOUBLE GLAZED
HEAD / SILL / TRANSOM



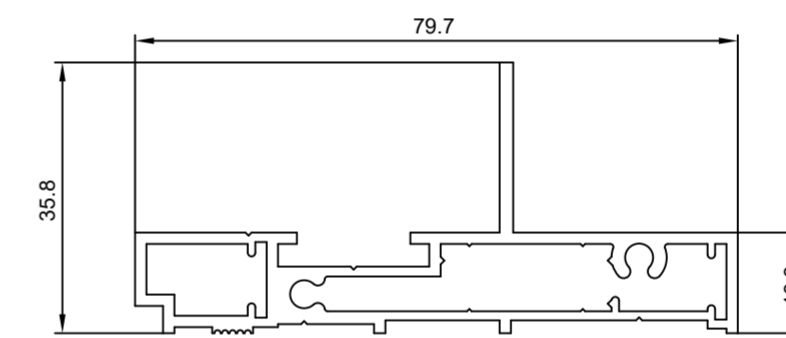
CSG728
100MM CENTRE HOOK HEAD /
SILL / TRANSOM



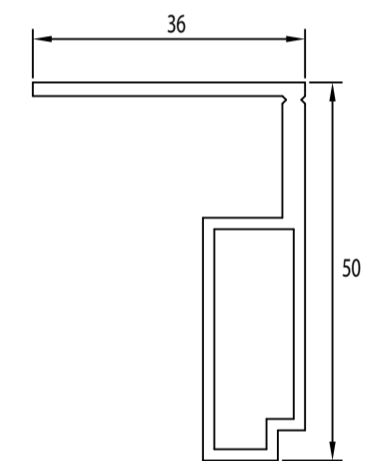
TJ742
50MM UNIVERSAL
AWNING /
CASEMENT SASH



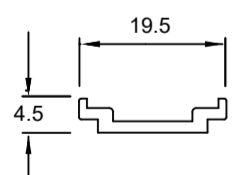
TJ747
50MM HOOK
UNIVERSAL
AWNING SASH



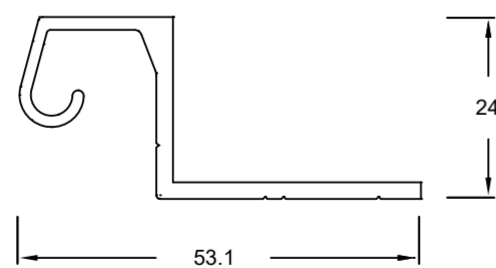
TJ748
AWNING / CASEMENT STOP
- RECESSED



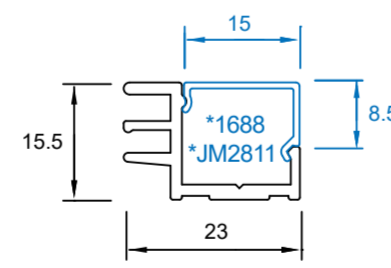
TJ749
AWNING HOOK
SASH JAMB STOP



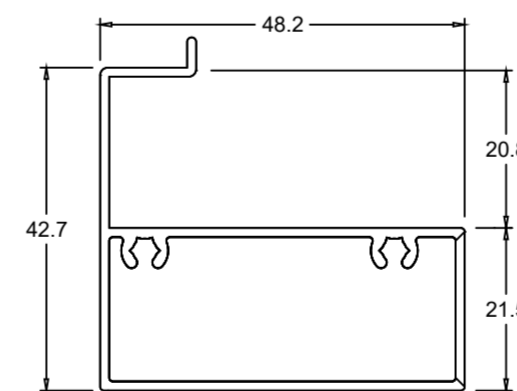
CGM001
CONTROL BAR &
STAY PACKER FOR SASH



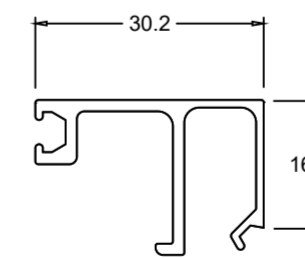
CGM002
50MM PLANT-ON
AWNING HOOK



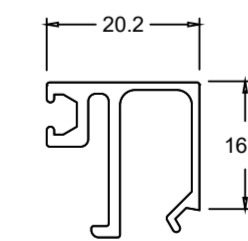
CGM809 PLANT ON DOOR STOP
*1688 PVC COVER
*JM2811 COVER



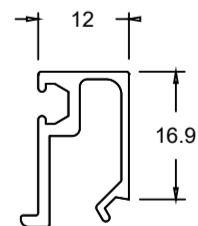
TJ734
CHAIN WINDER SUPPORT



TJ714
16 - 12MM
AWNING BEAD



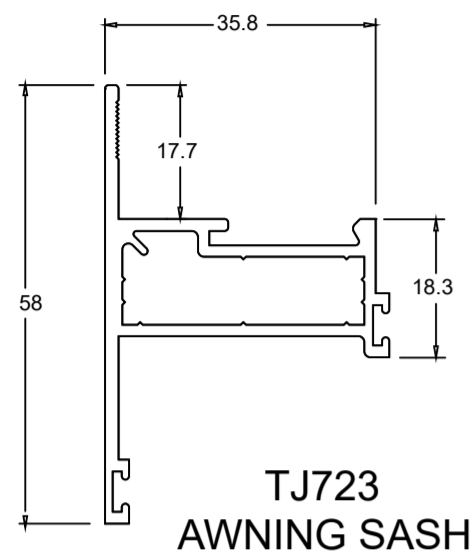
TJ716
16 - 12MM
AWNING BEAD



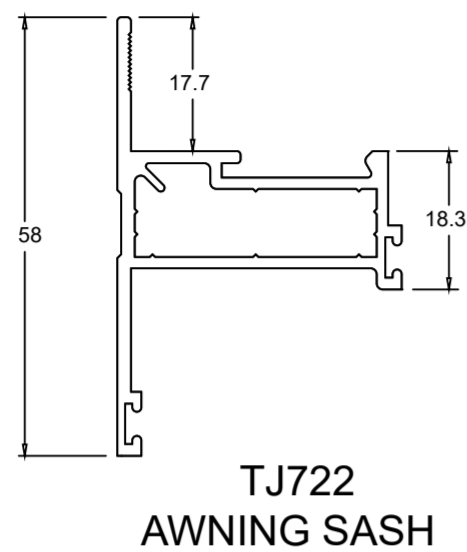
TJ717
24 - 30MM
DG BEAD

See page 22 for 50mm Sash Clip in Stop options for Stays or CGM002

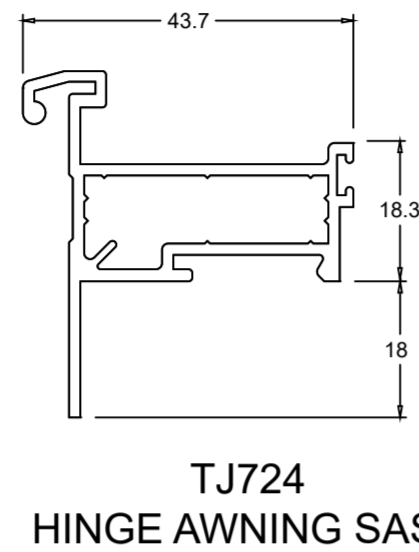
35 mm AWNING



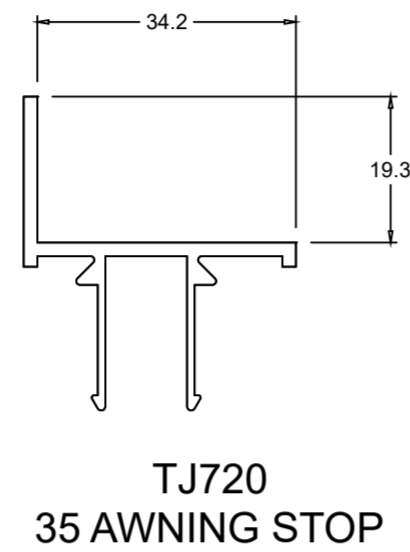
TJ723
AWNING SASH



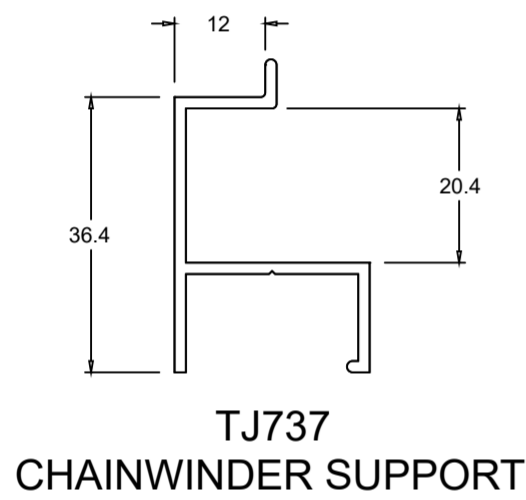
TJ722
AWNING SASH



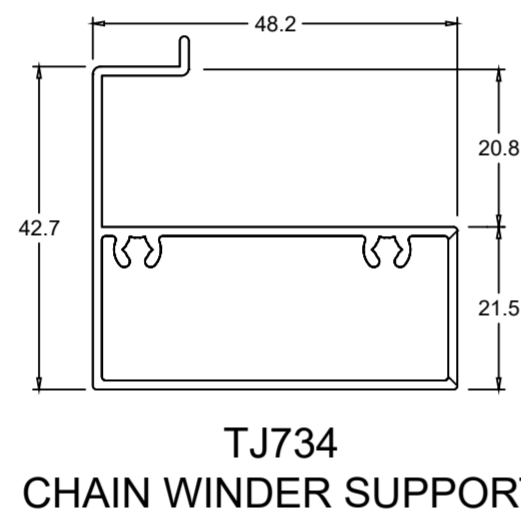
TJ724
HINGE AWNING SASH



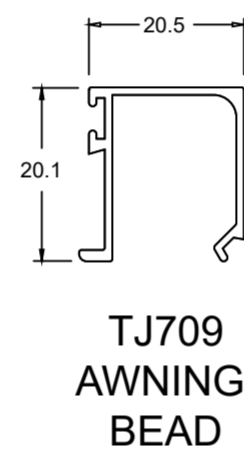
TJ720
35 AWNING STOP



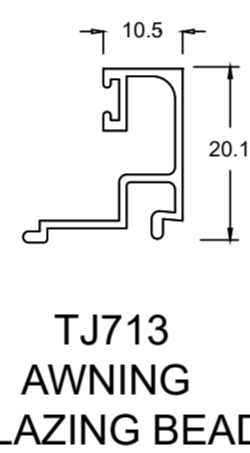
TJ737
CHAINWINDER SUPPORT



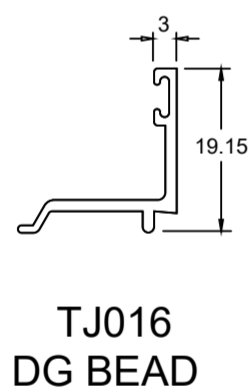
TJ734
CHAIN WINDER SUPPORT



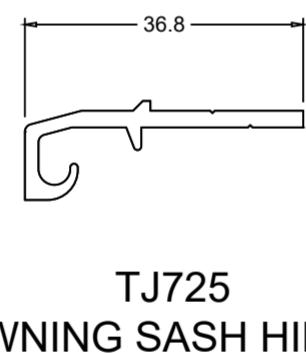
TJ709
AWNING BEAD



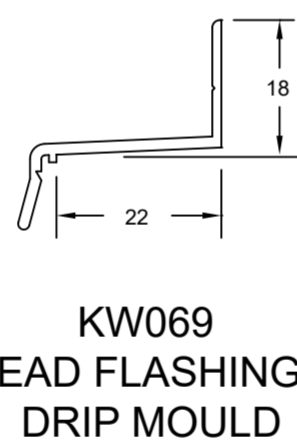
TJ713
AWNING GLAZING BEAD



TJ016
DG BEAD

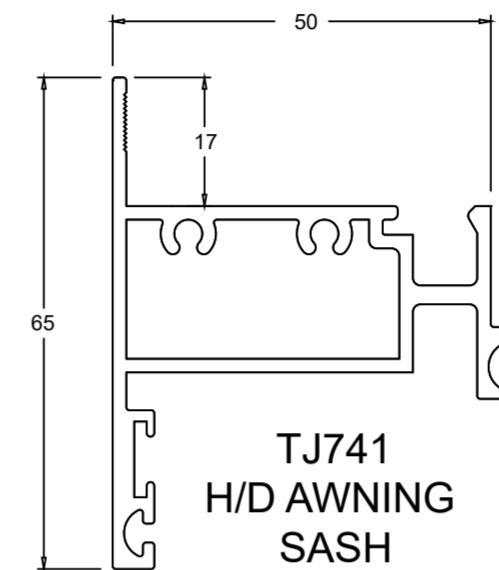


TJ725
AWNING SASH HINGE

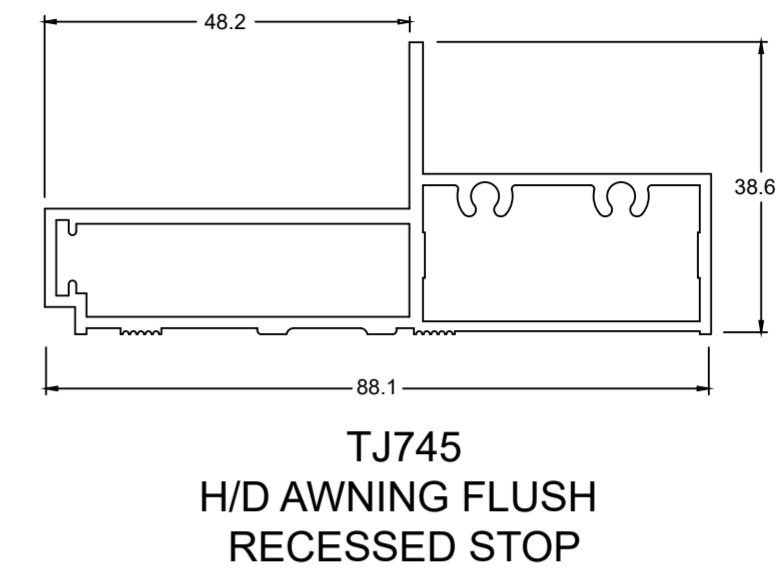


KW069
HEAD FLASHING / DRIP MOULD

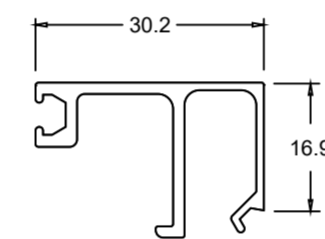
50 mm AWNING / CASEMENT



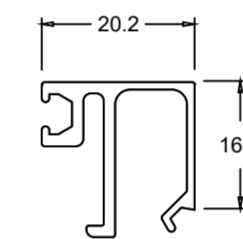
TJ741
H/D AWNING SASH



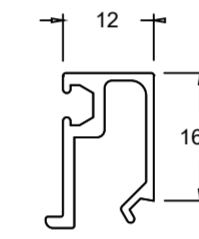
TJ745
H/D AWNING FLUSH RECESSED STOP



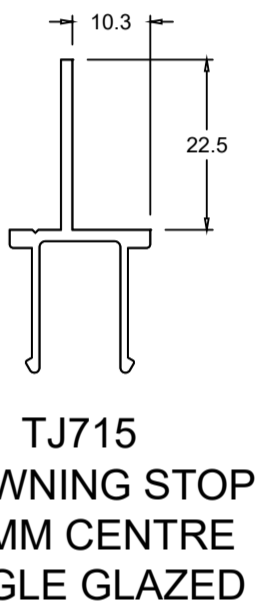
TJ714
16 - 12MM AWNING BEAD



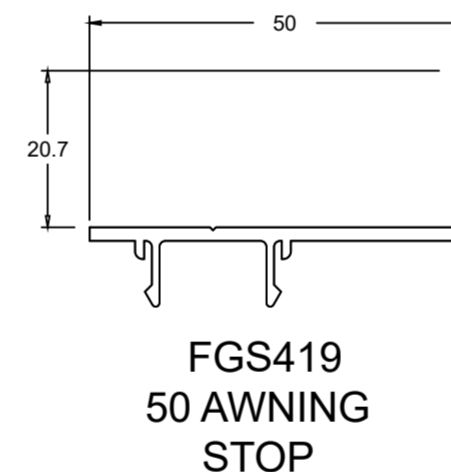
TJ716
16 - 12MM AWNING BEAD



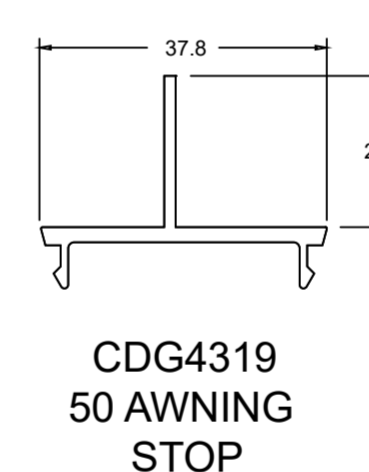
TJ717
24 - 30MM DG BEAD



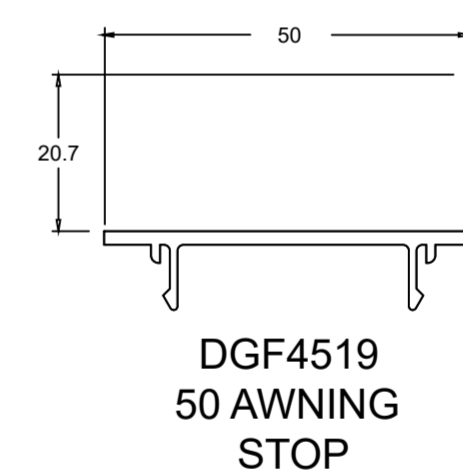
TJ715
50 AWNING STOP 100MM CENTRE SINGLE GLAZED



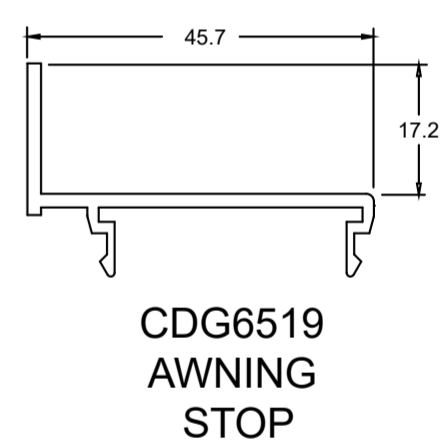
FGS419
50 AWNING STOP



CDG4319
50 AWNING STOP

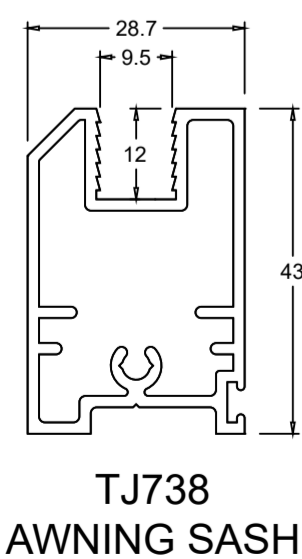


DGF4519
50 AWNING STOP

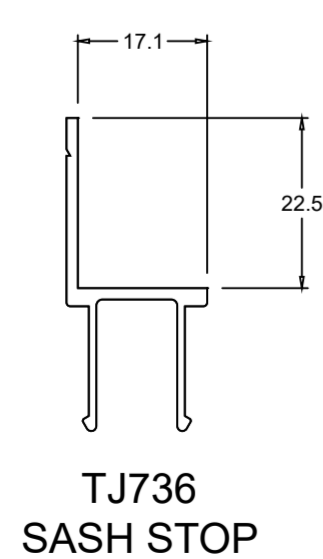


CDG6519
AWNING STOP

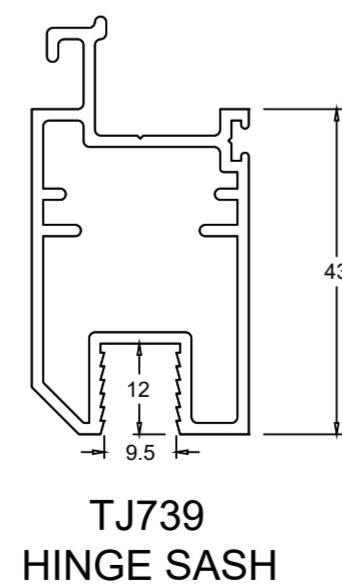
WA ONLY



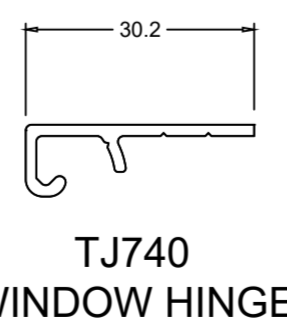
TJ738
AWNING SASH



TJ736
SASH STOP

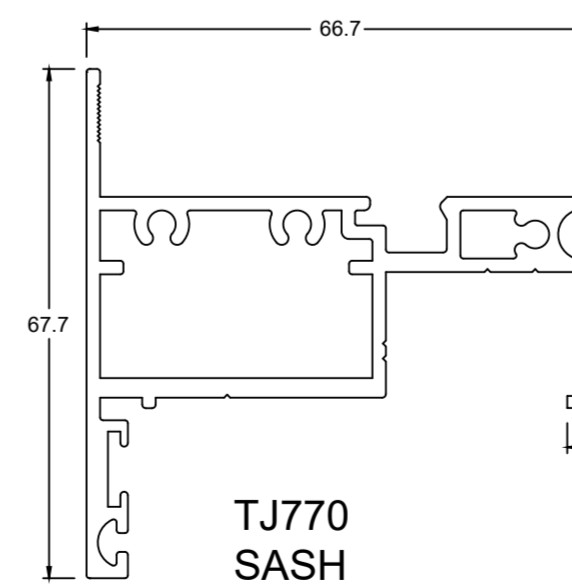


TJ739
HINGE SASH

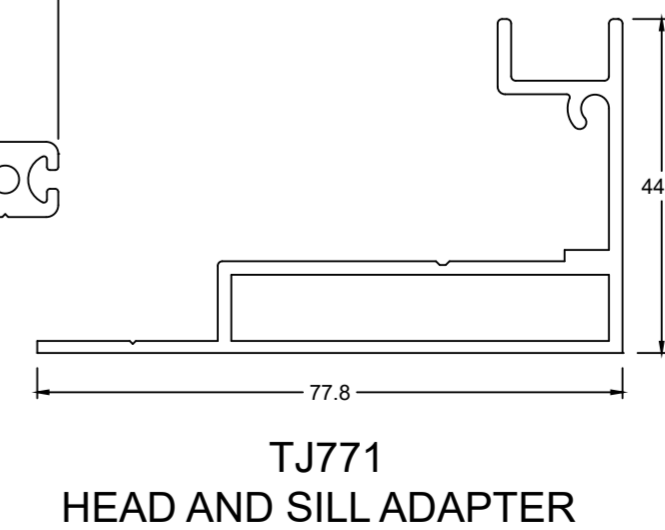


TJ740
WINDOW HINGE

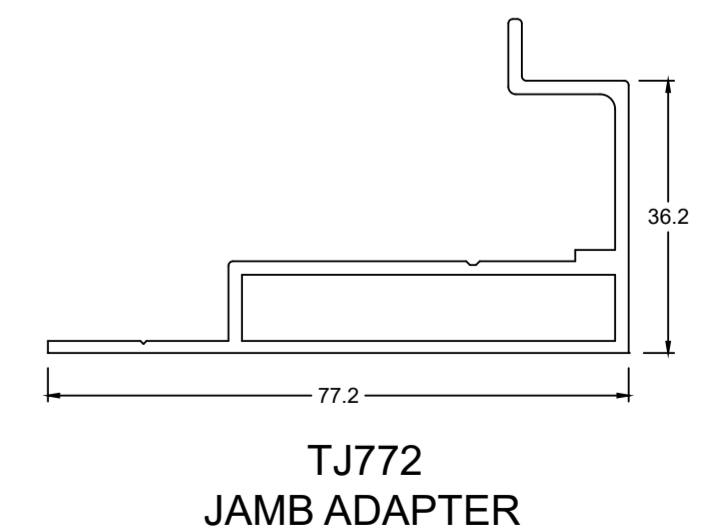
CITYVIEW TRUTH AWNING / CASEMENT WINDOW



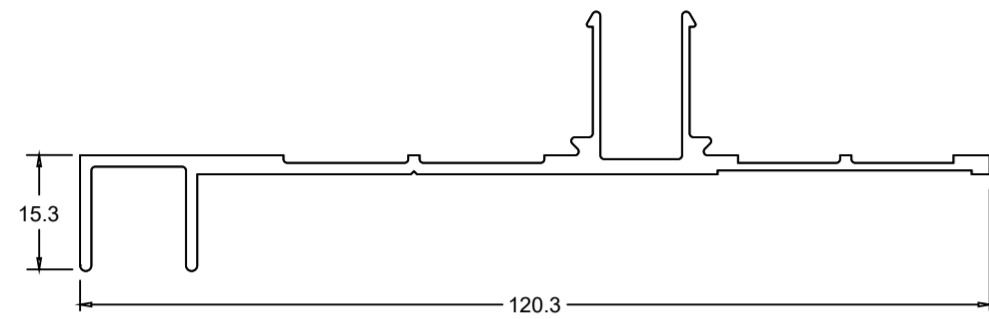
TJ770
SASH



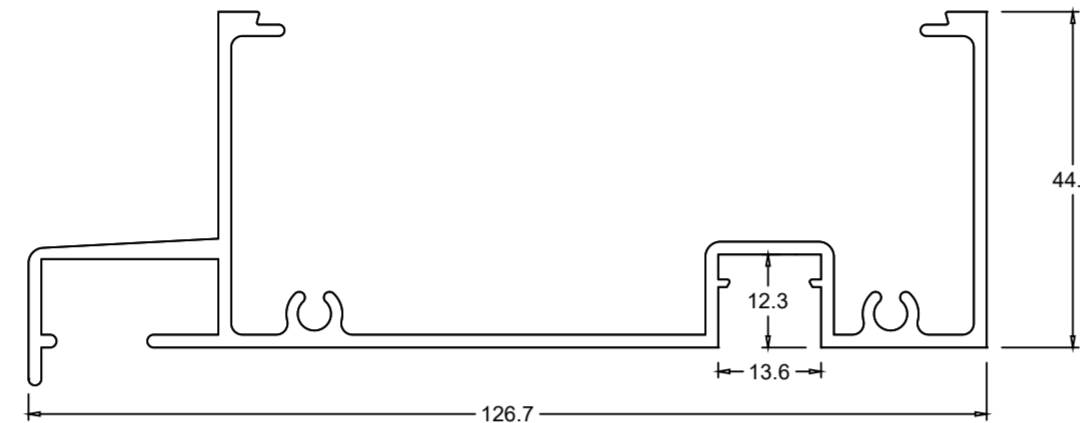
TJ771
HEAD AND SILL ADAPTER



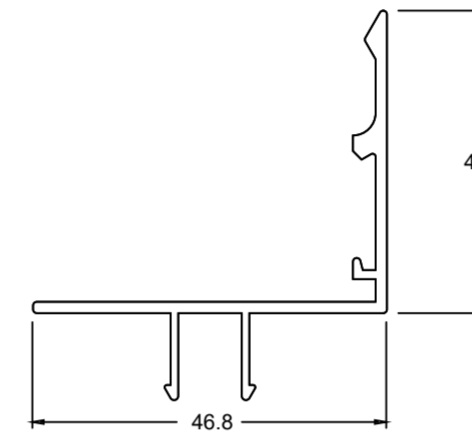
TJ772
JAMB ADAPTER



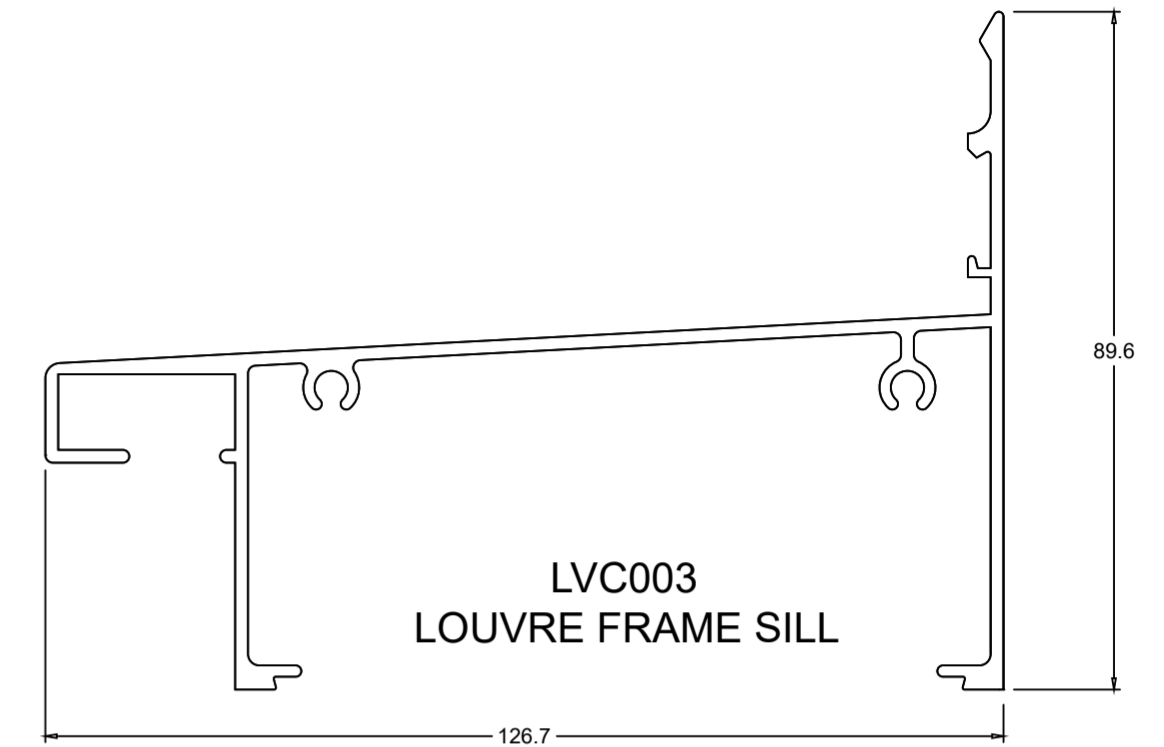
LVC001
JAMB



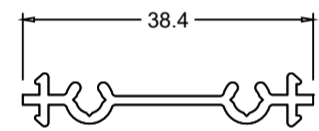
LVC002
LOUVRE FRAME HEAD



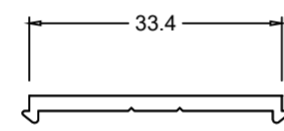
LVC005
HEAD WEATHER BAR



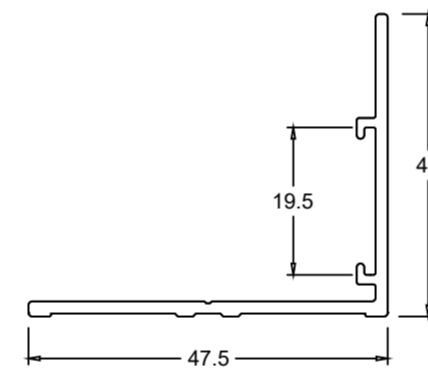
LVC003
LOUVRE FRAME SILL



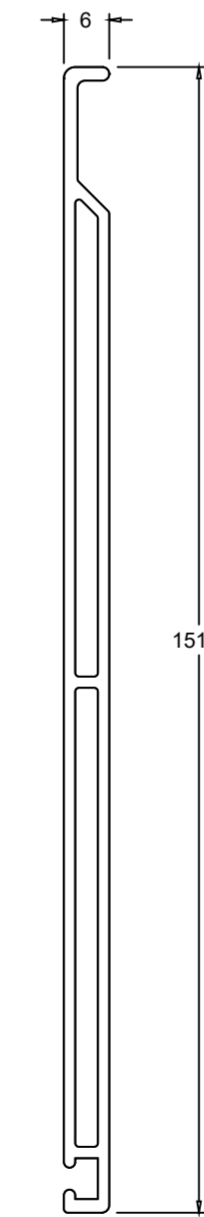
LVJ001
GALLERY JOINER



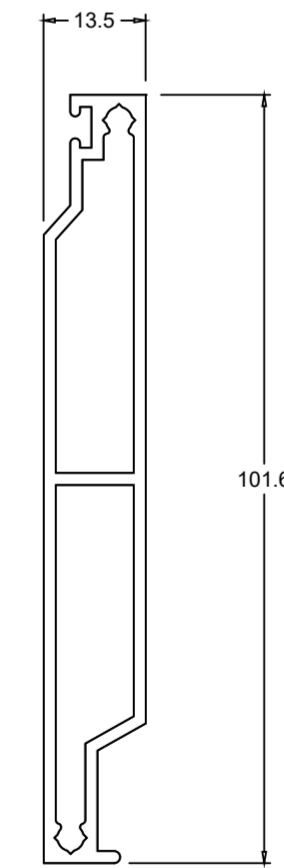
LVC006
JAMB GALLERY ADAPTOR



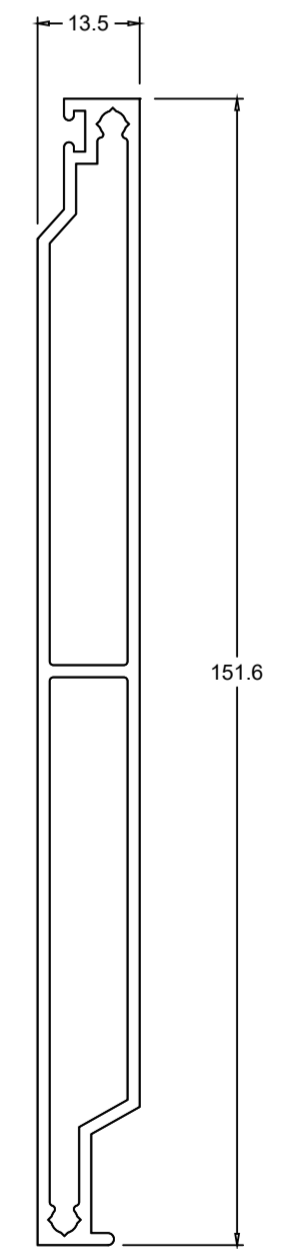
LVB040
40MM WEATHER BAR



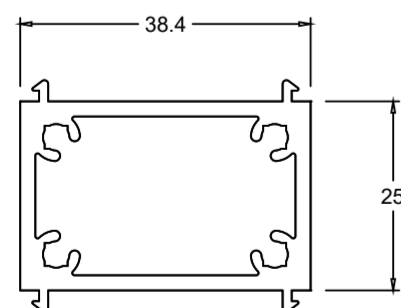
LVB1526
152 X 6MM BLADE



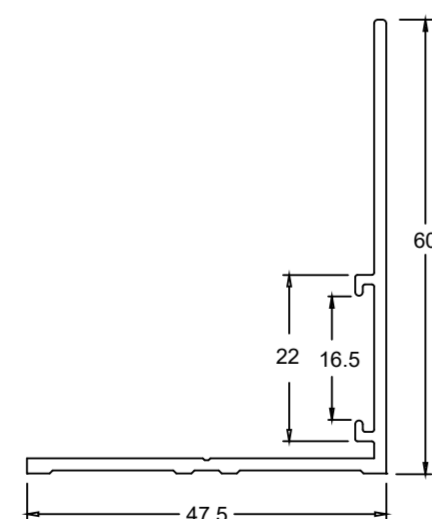
LVB1013
102 X 13.5MM BLADE



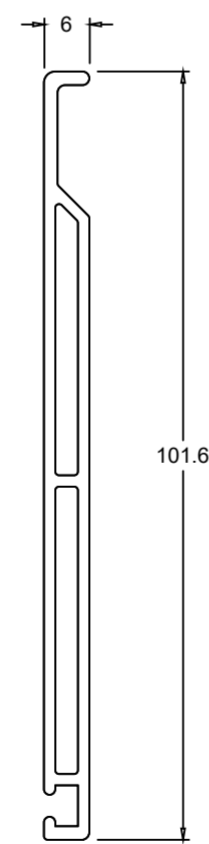
LVB1513
152 X 13.5MM BLADE



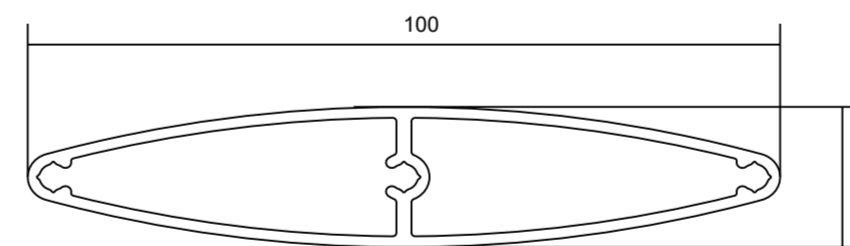
LVJ002
BOX GALLERY JOINER



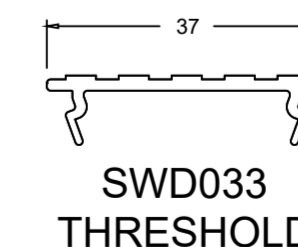
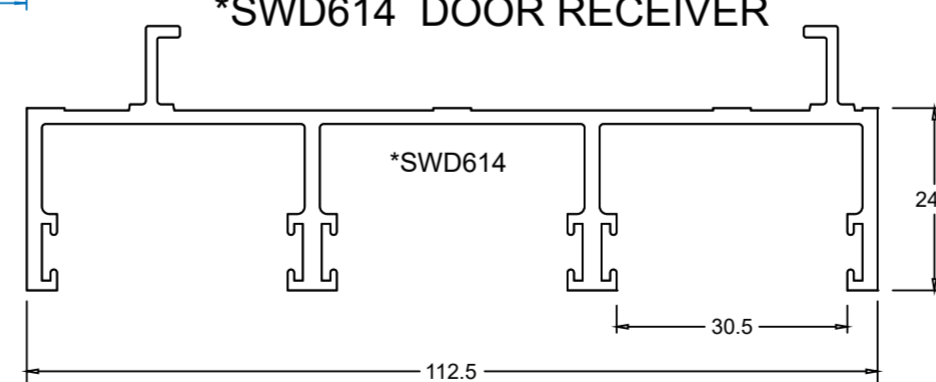
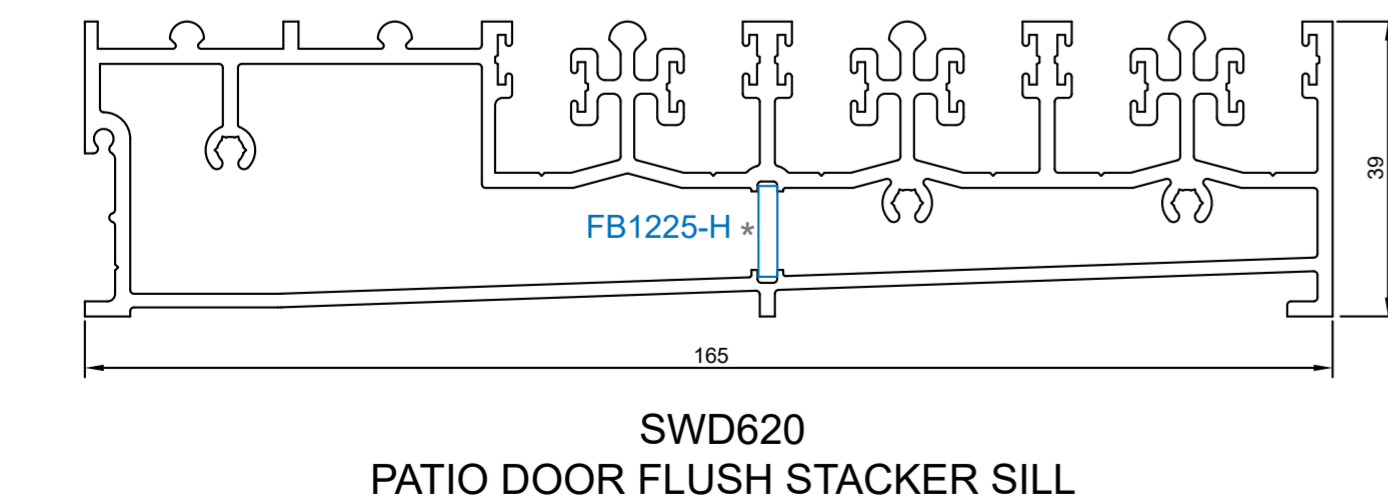
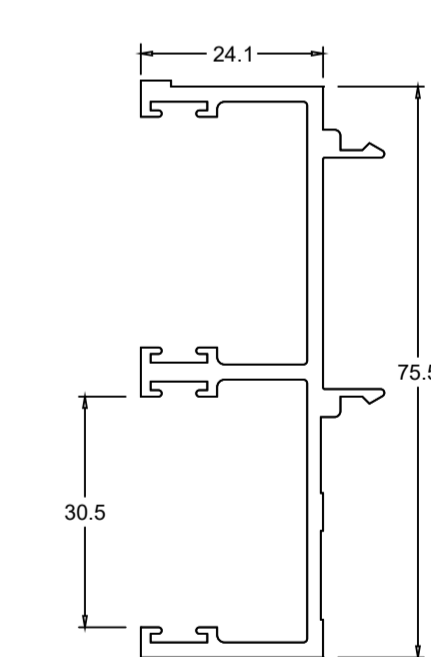
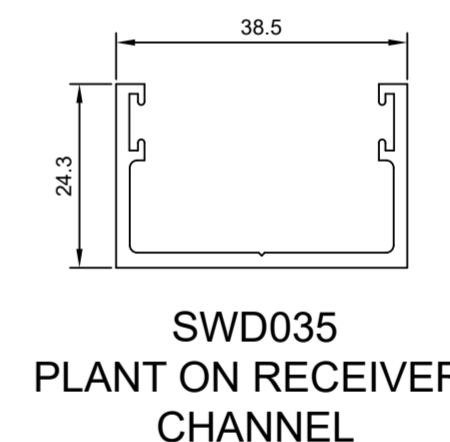
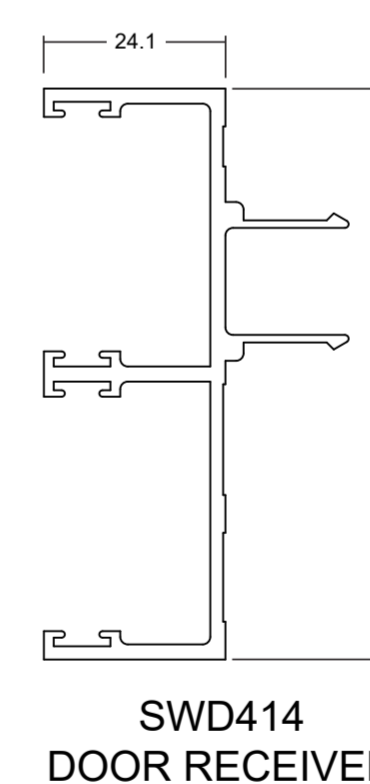
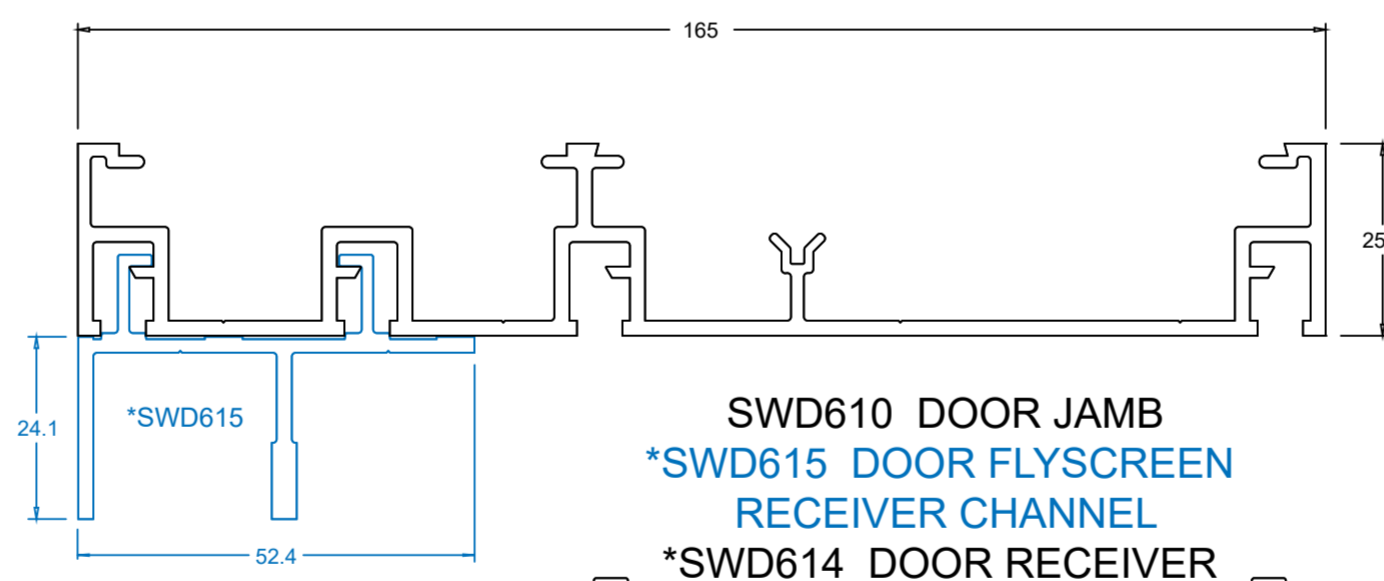
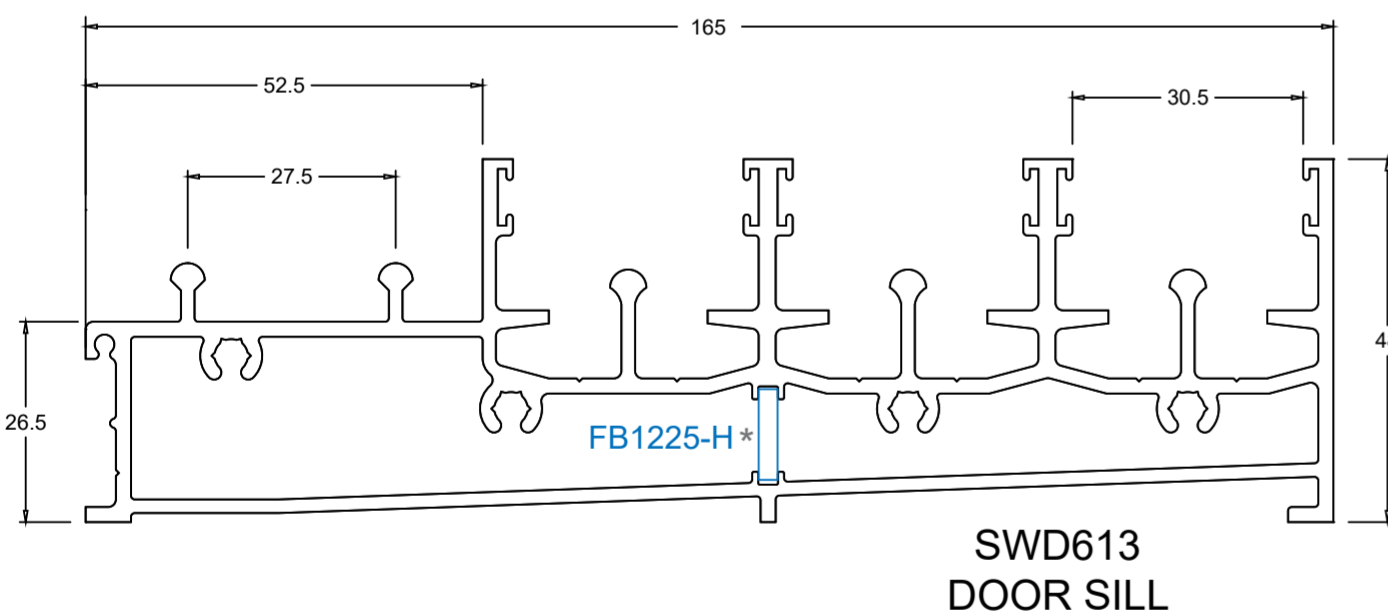
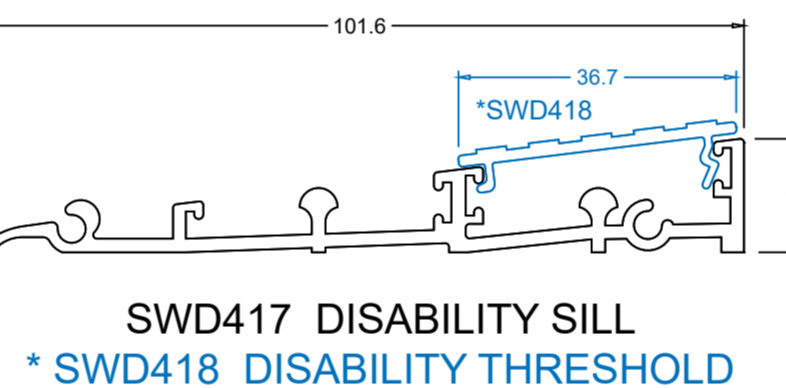
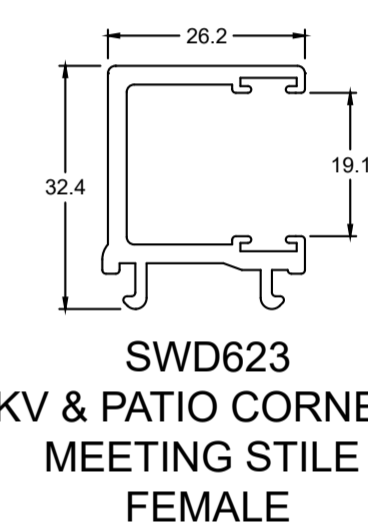
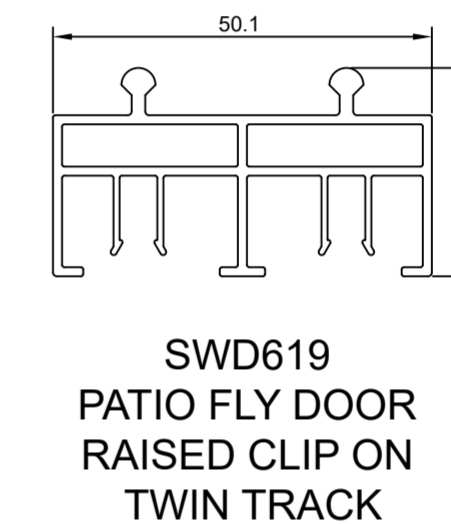
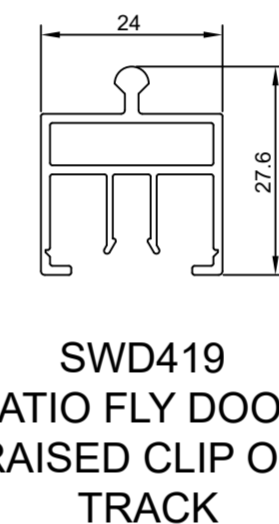
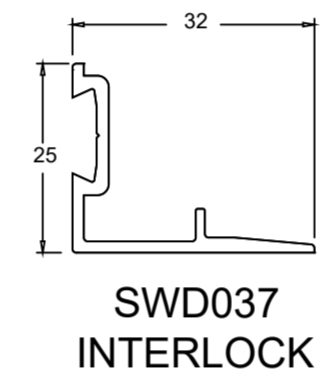
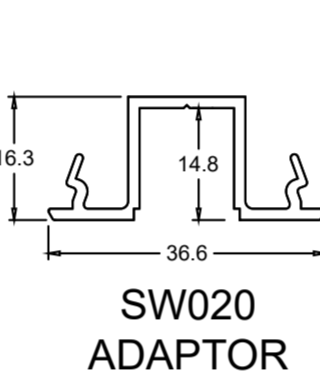
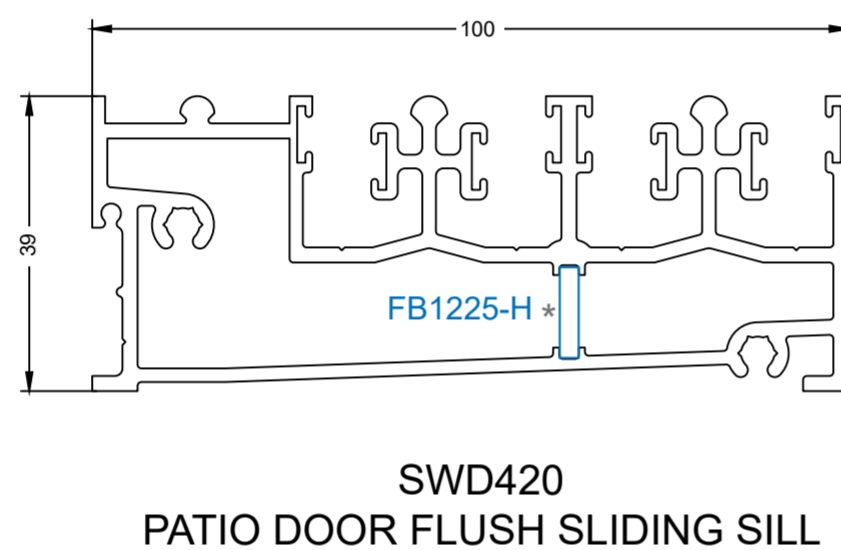
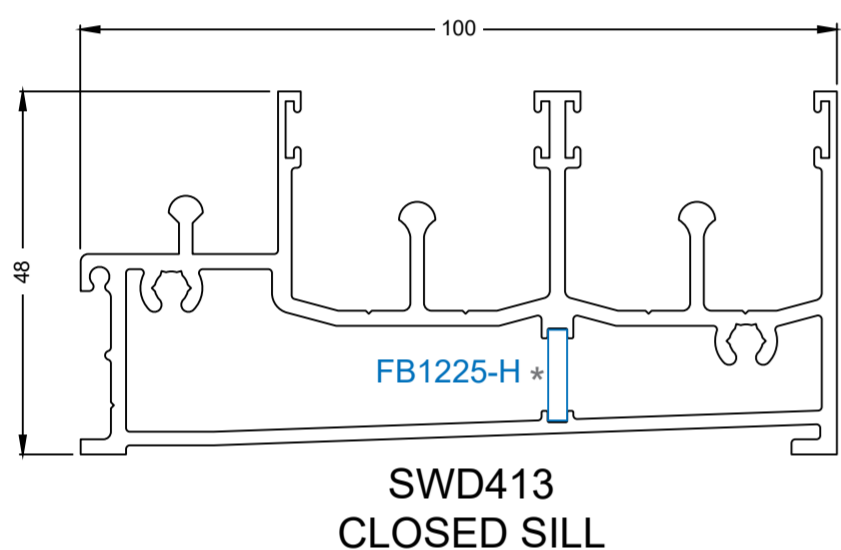
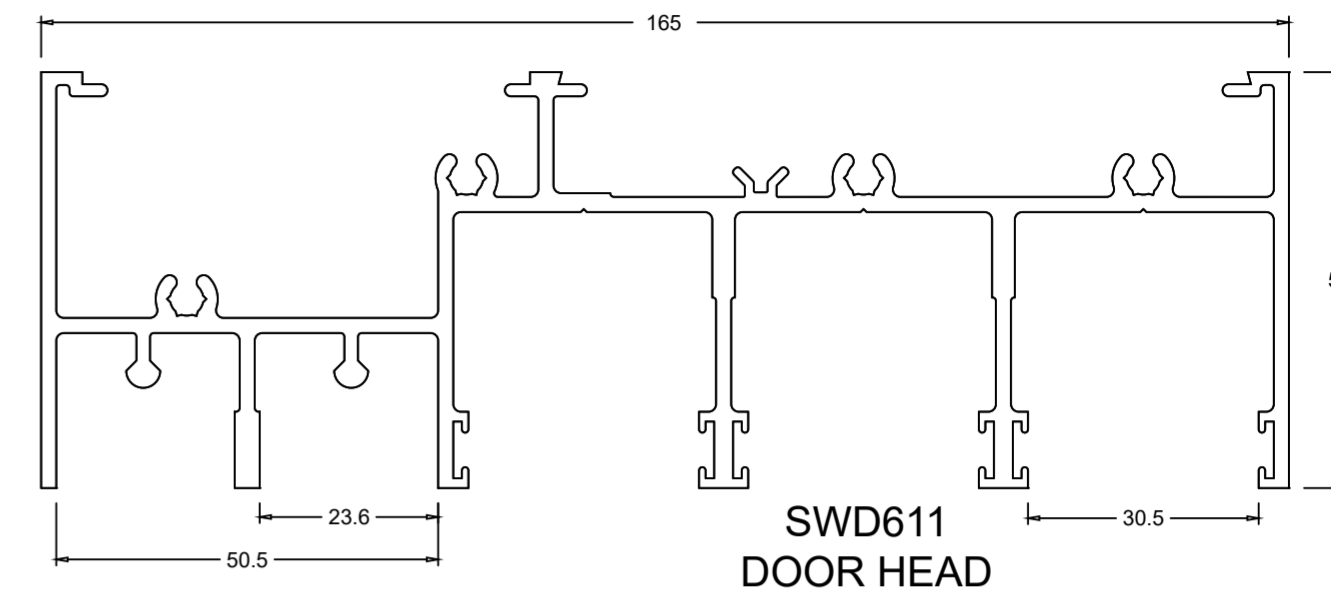
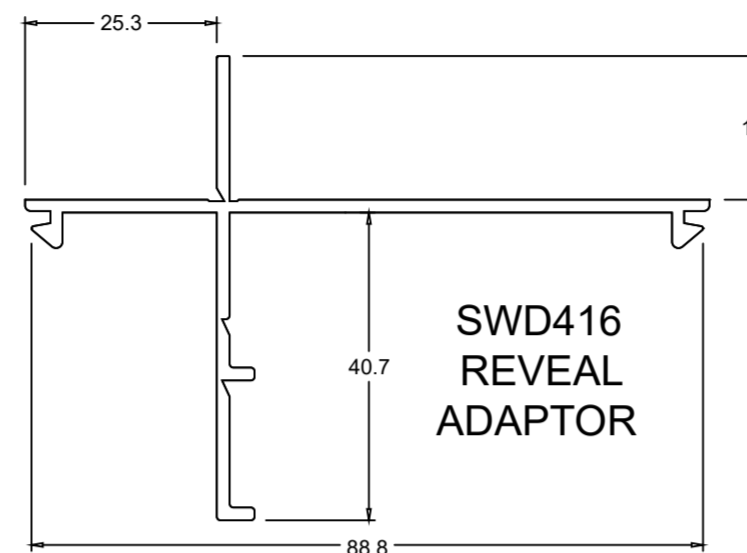
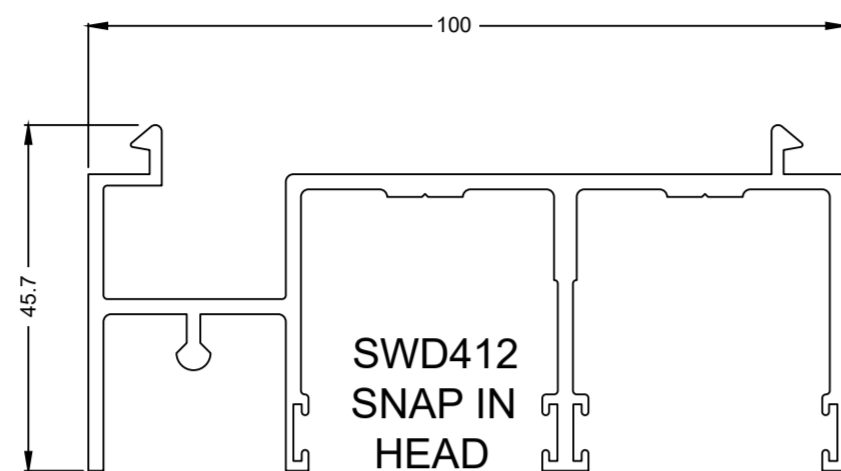
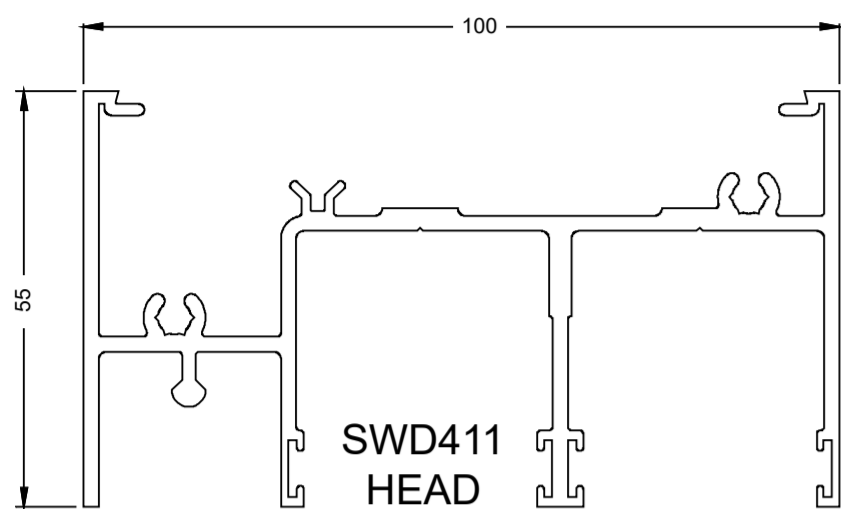
LVB060
60MM WEATHER BAR



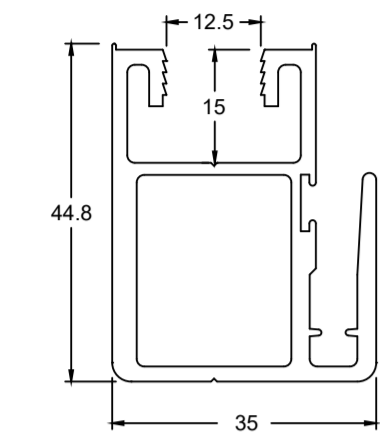
LVB1026
102 X 6MM BLADE



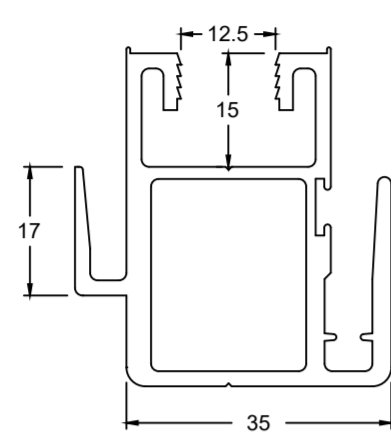
LVE100
LOUVRE 100 X 20MM



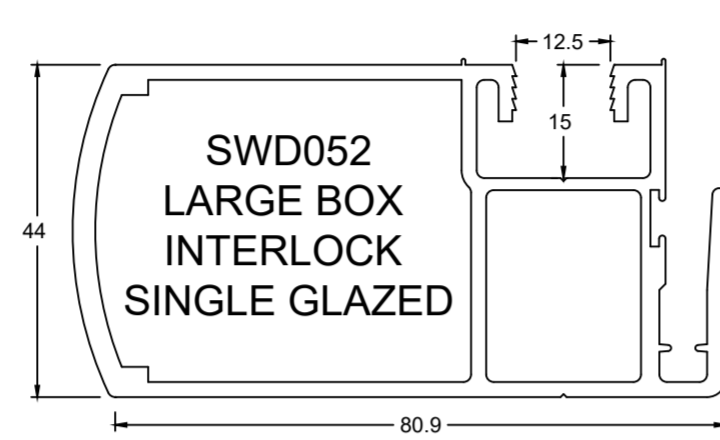
SINGLE PIECE INTERLOCK OPTIONS



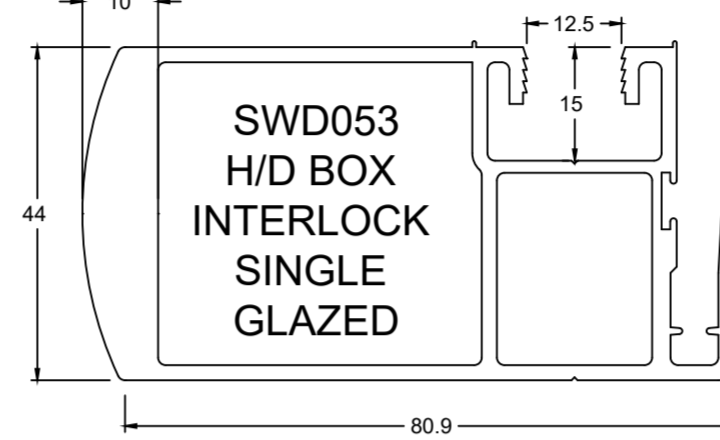
SWD050
SMALL INTERLOCK
SINGLE GLAZED



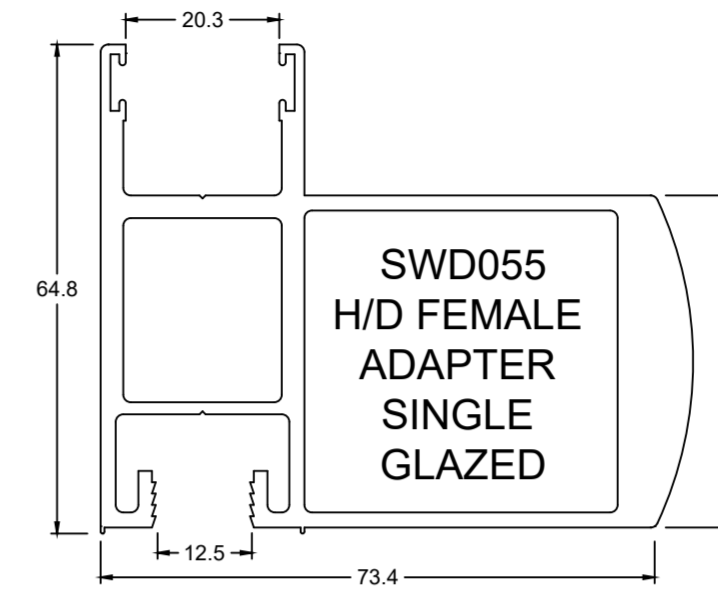
SWD051
SMALL INTERLOCK
SINGLE GLAZED



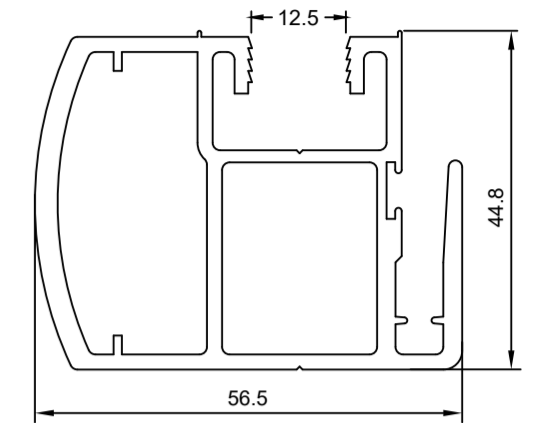
SWD052
LARGE BOX
INTERLOCK
SINGLE GLAZED



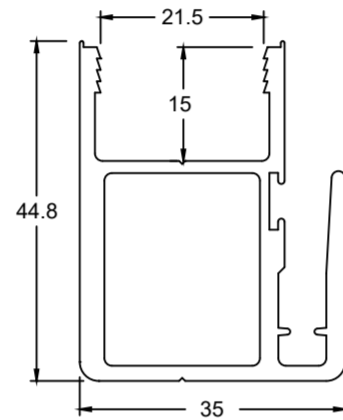
SWD053
H/D BOX
INTERLOCK
SINGLE
GLAZED



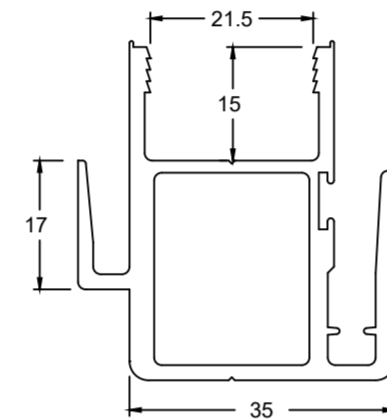
SWD055
H/D FEMALE
ADAPTER
SINGLE
GLAZED



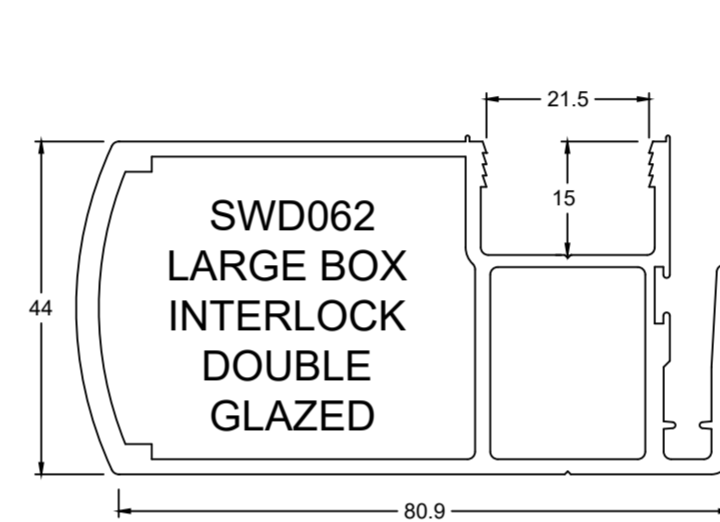
SWD058
MEDIUM BOX INTERLOCK
SINGLE GLAZED



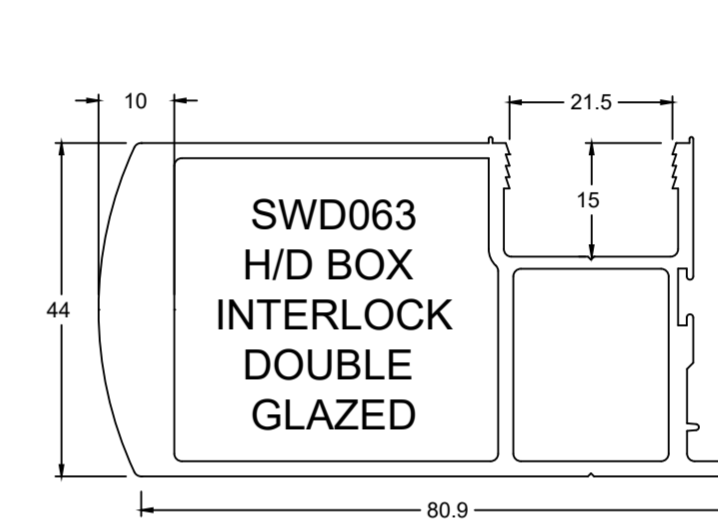
SWD060
SMALL INTERLOCK
DOUBLE GLAZED



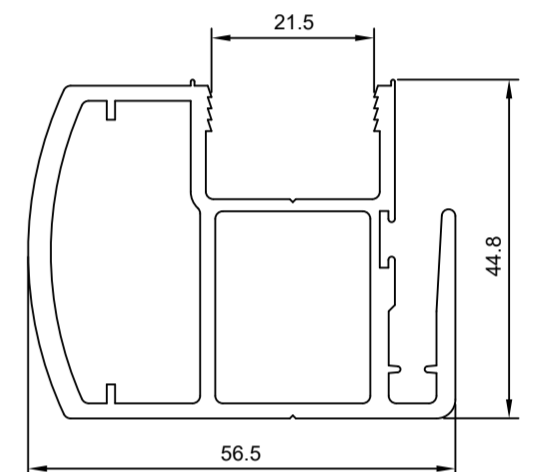
SWD061
SMALL INTERLOCK
DOUBLE GLAZED



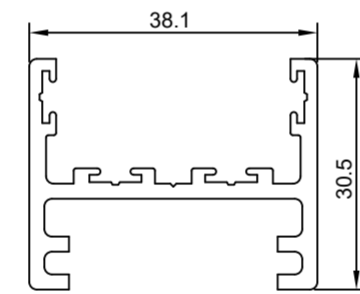
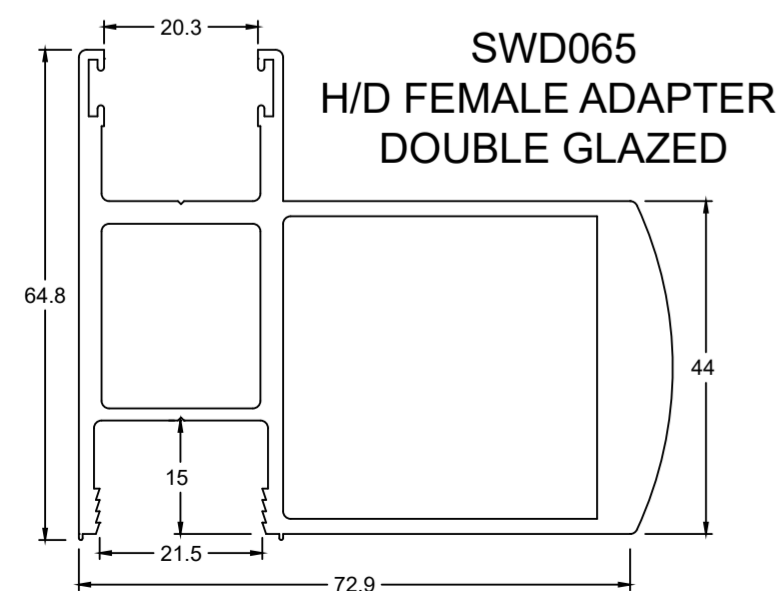
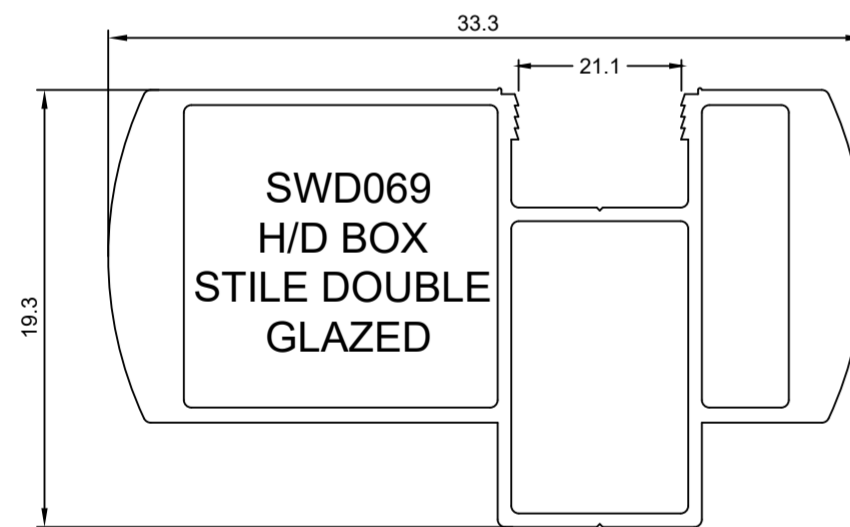
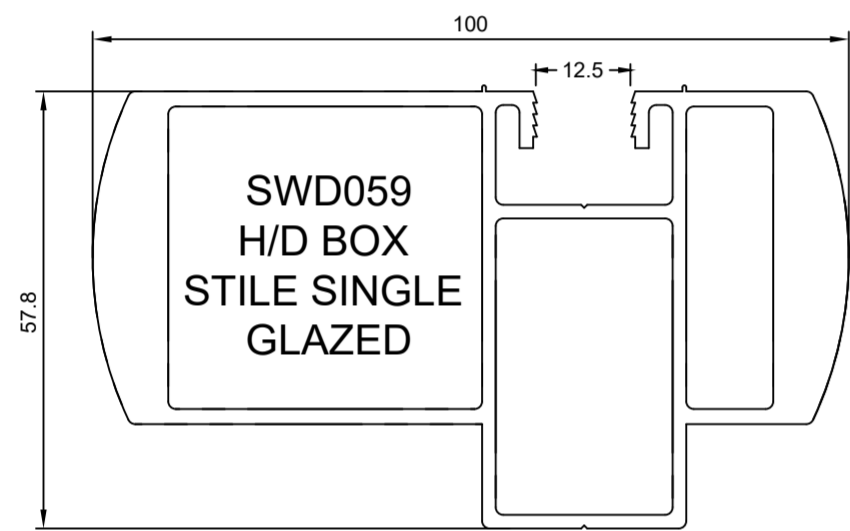
SWD062
LARGE BOX
INTERLOCK
DOUBLE
GLAZED



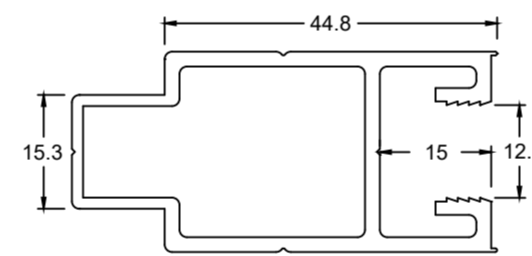
SWD063
H/D BOX
INTERLOCK
DOUBLE
GLAZED



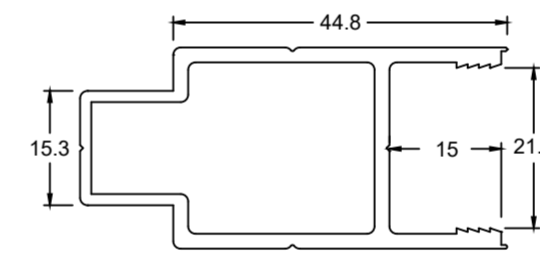
SWD068
MEDIUM BOX INTERLOCK
DOUBLE GLAZED



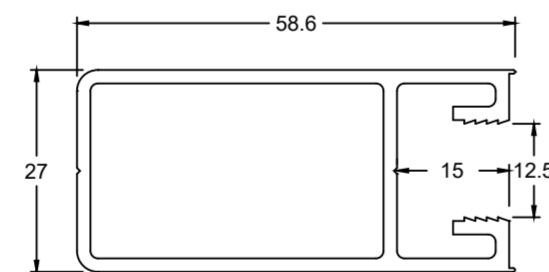
SWD444
PATIO FSSF MEETING ADAPTOR



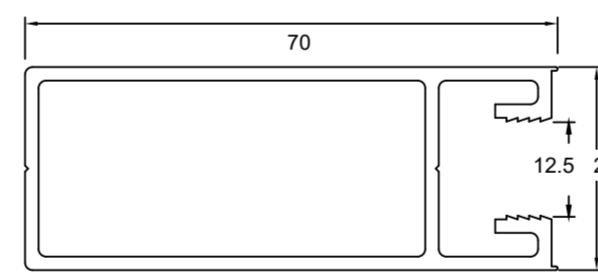
SWD057
MALE STILE SINGLE GLAZED



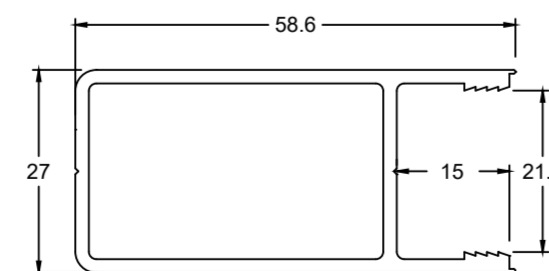
SWD067
MALE STILE DOUBLE GLAZED



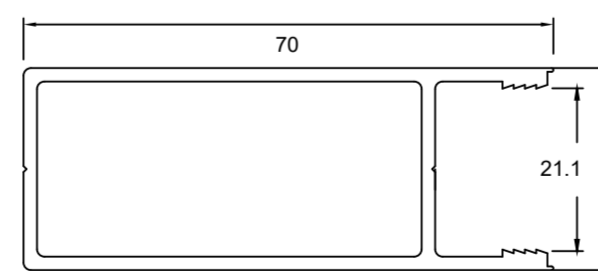
SWD056
STILE SINGLE GLAZED



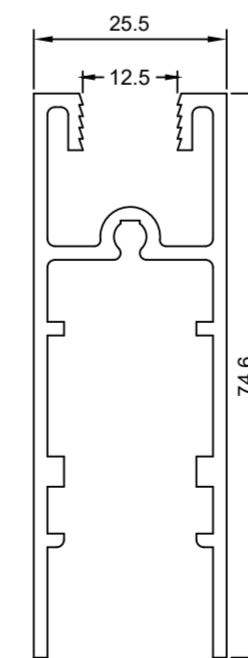
SWD256
WIDE STILE SINGLE GLAZED



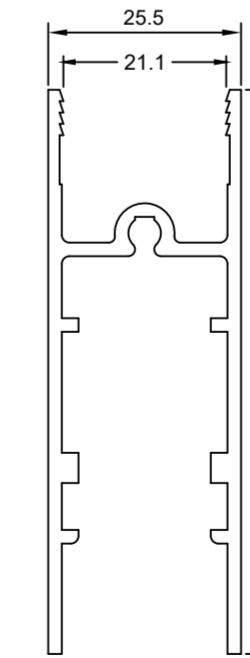
SWD066
STILE DOUBLE GLAZED



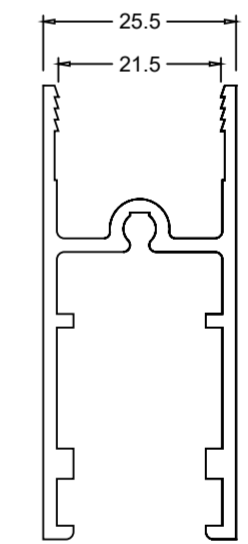
SWD266
WIDE STILE DOUBLE GLAZED



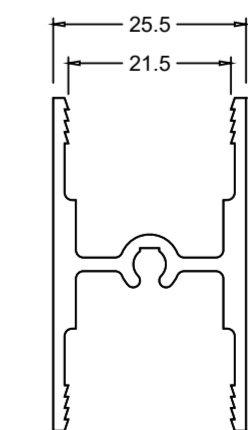
SWD220
FLUSH RAIL



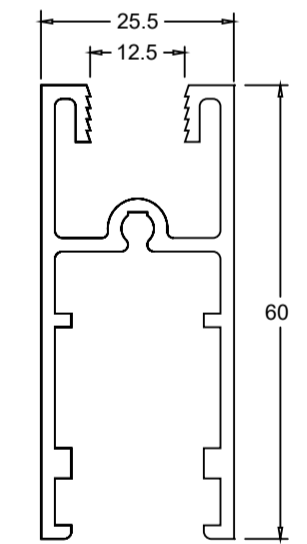
SWD320
FLUSH RAIL



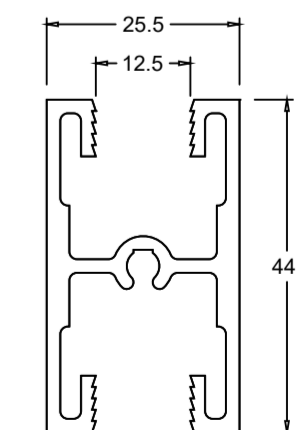
SW026
RAIL



SWD043
MIDRAIL

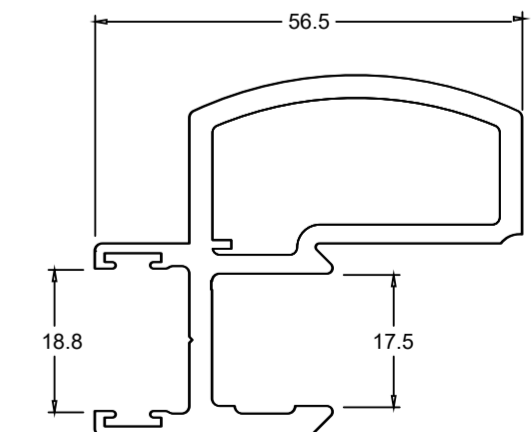
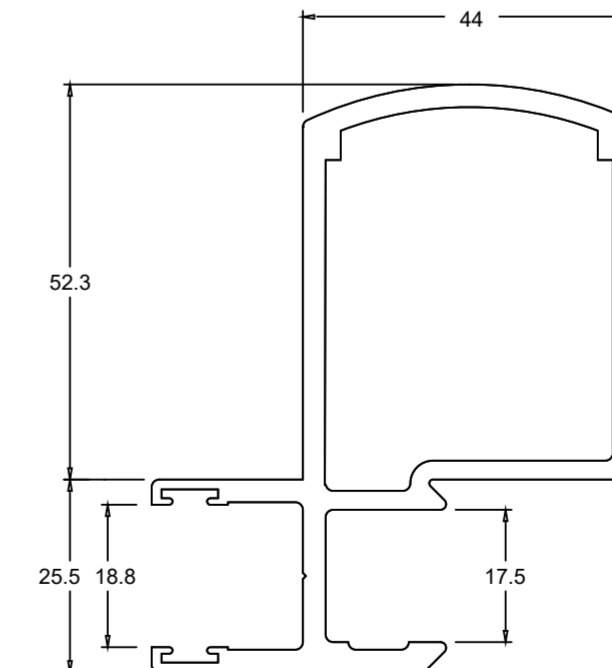
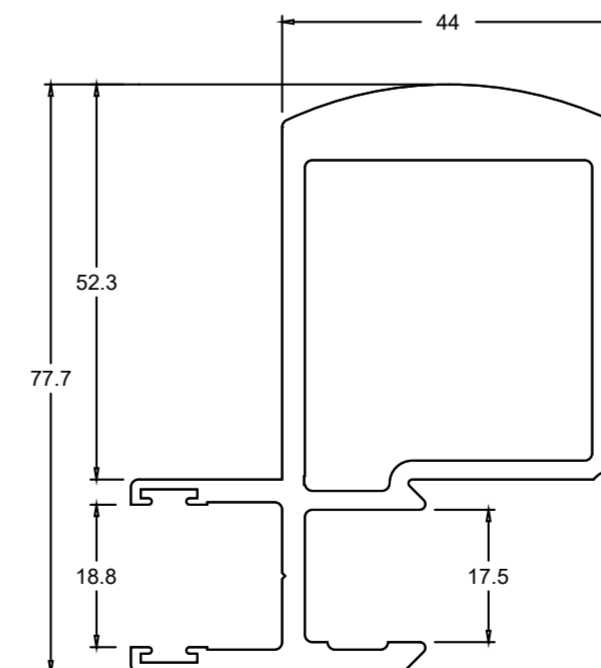
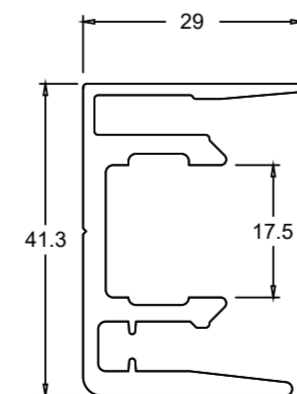
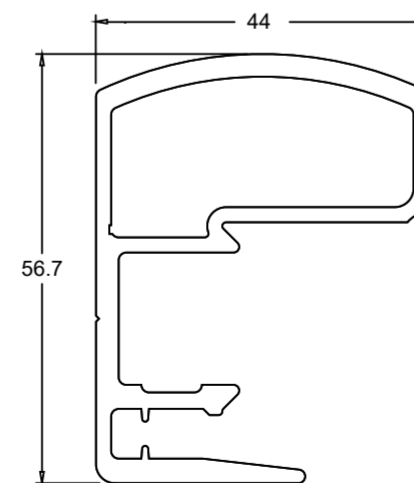
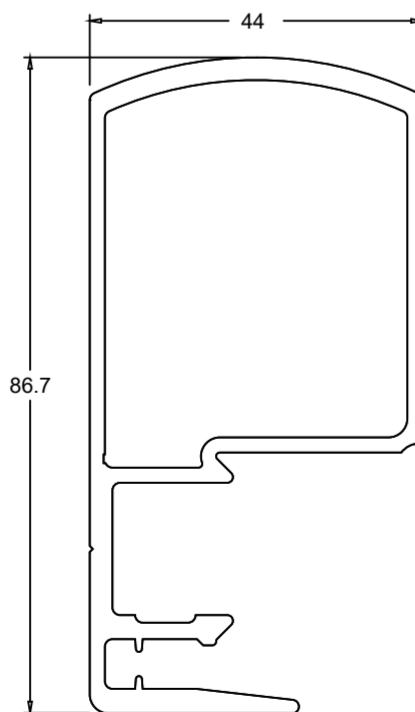
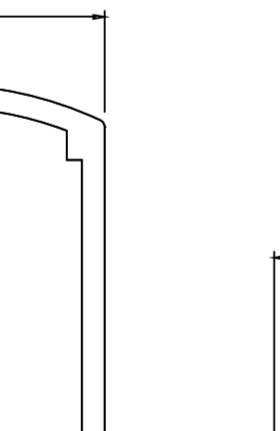
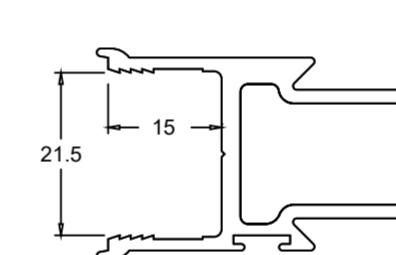
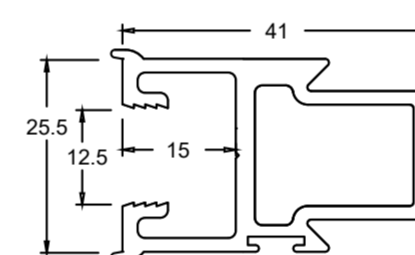
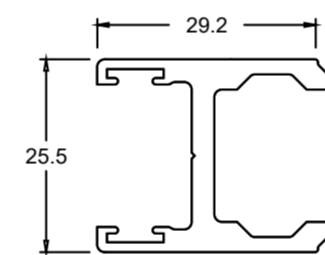
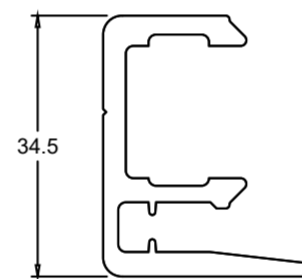
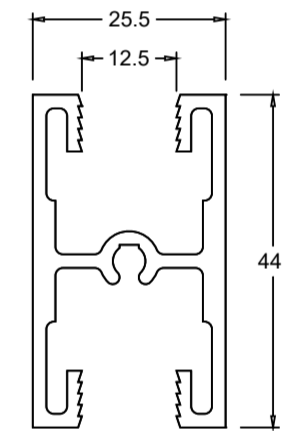
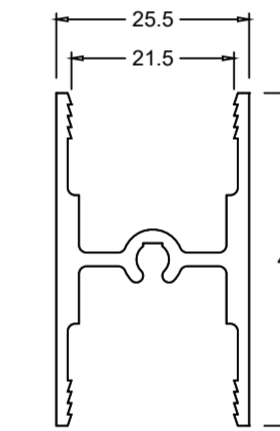
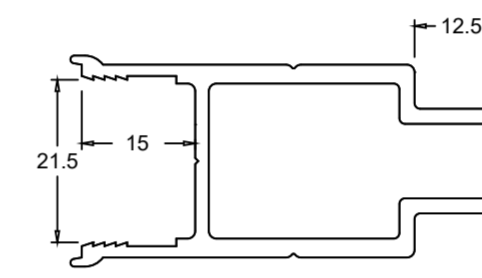
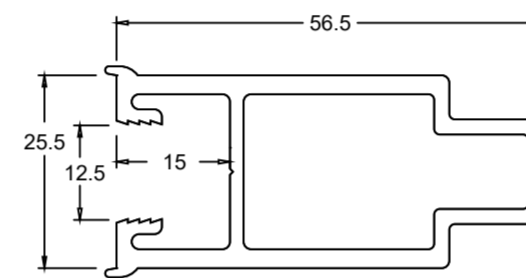
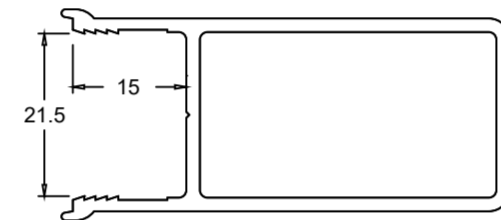
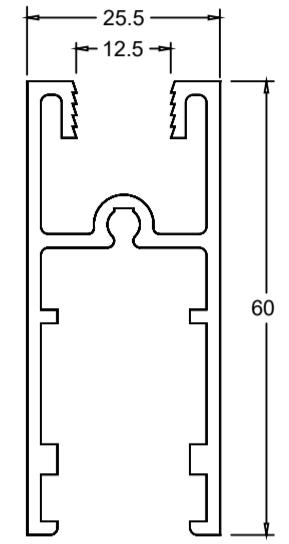
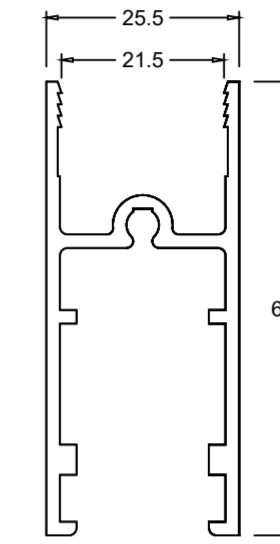
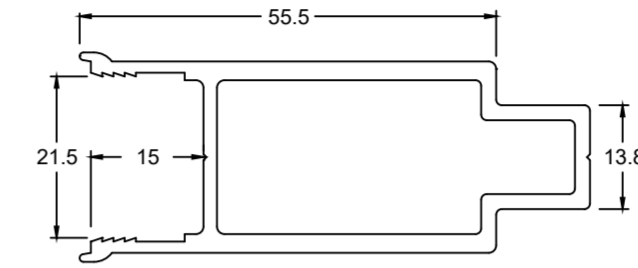
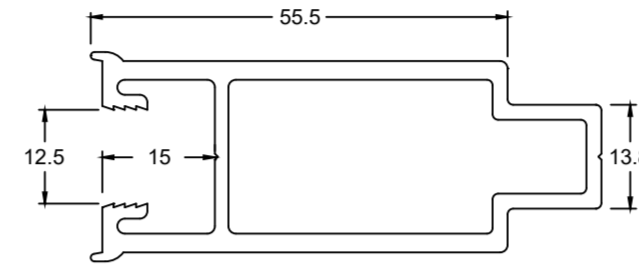
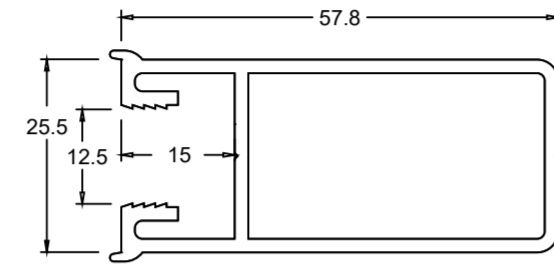
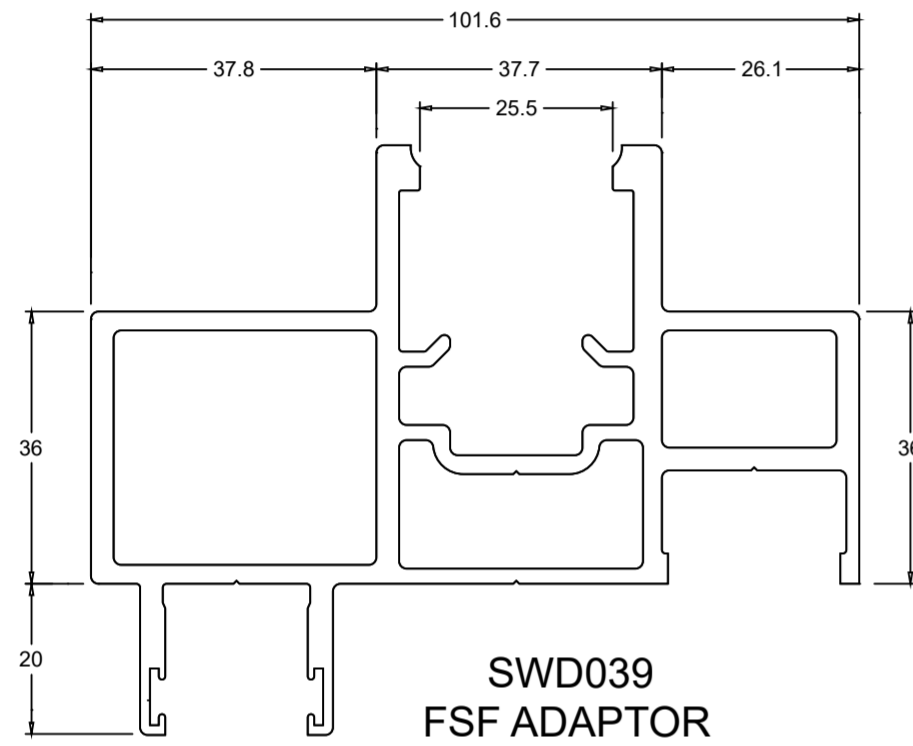


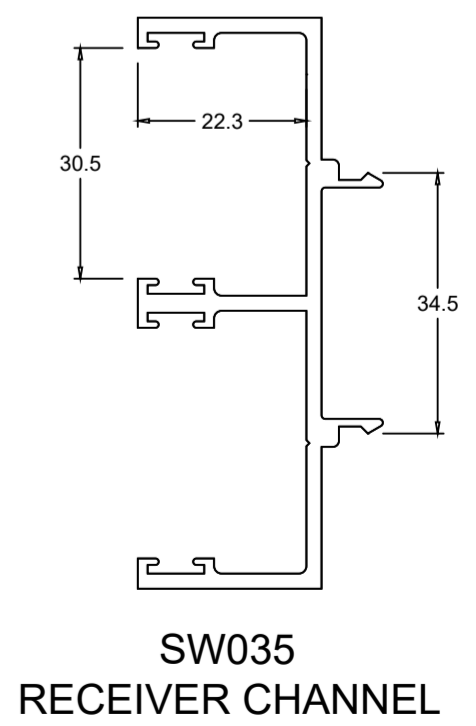
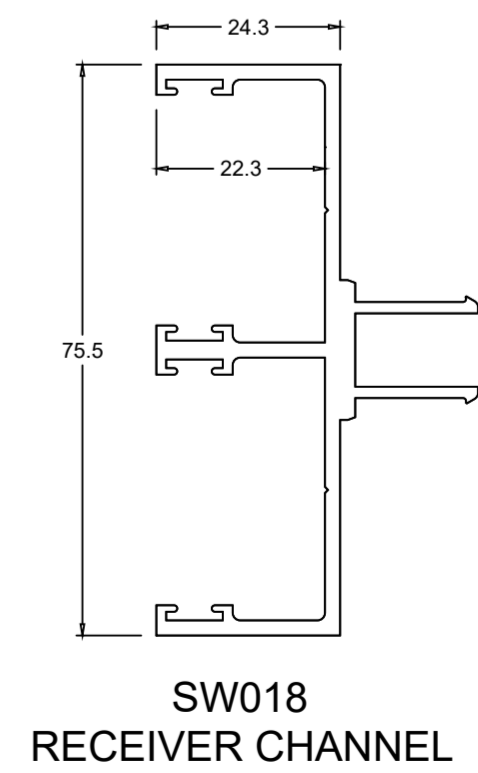
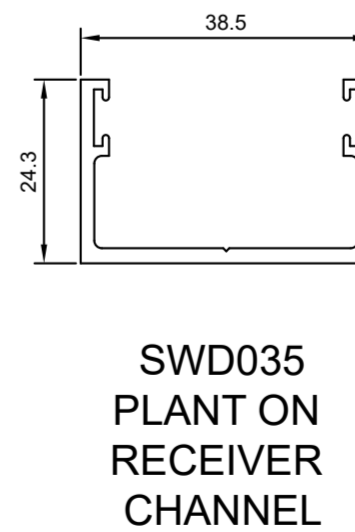
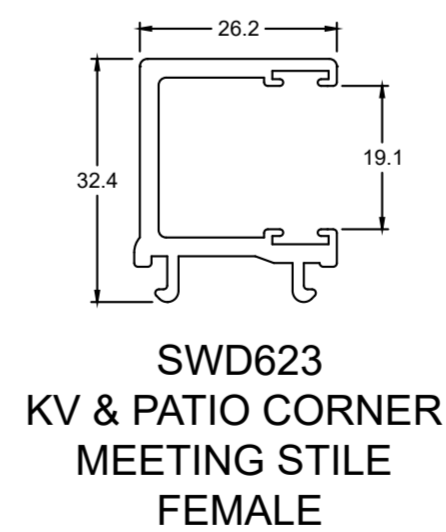
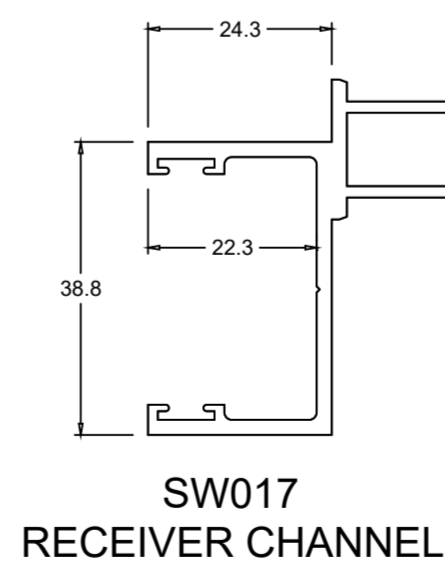
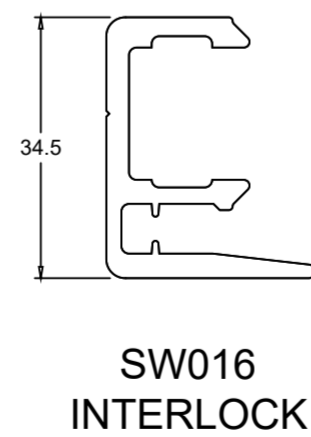
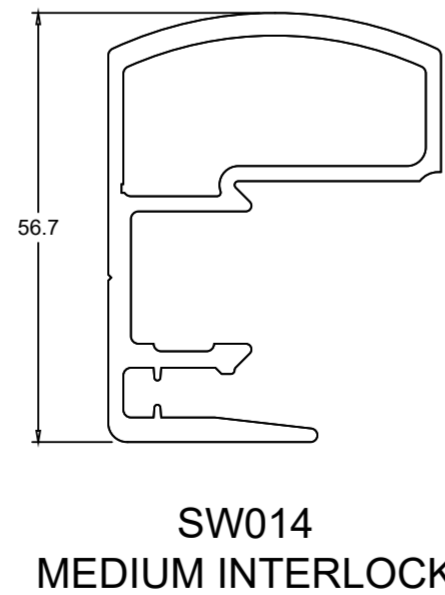
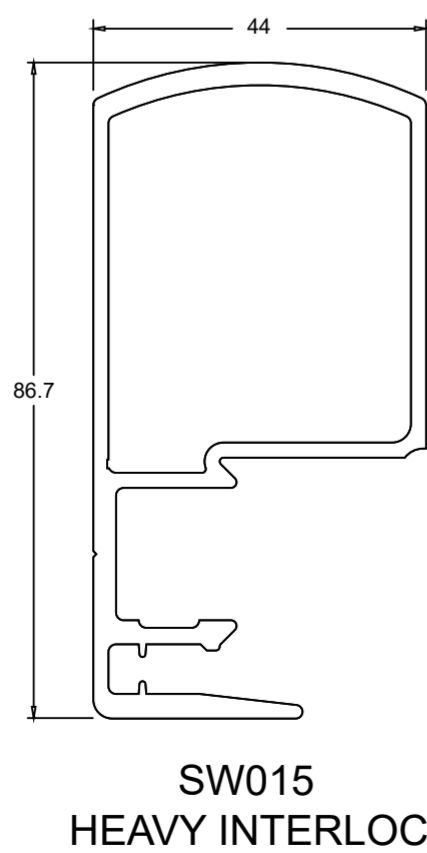
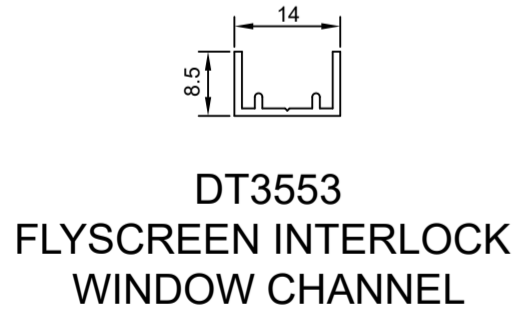
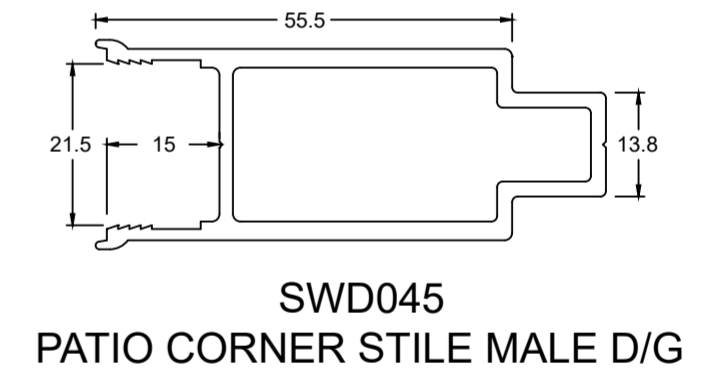
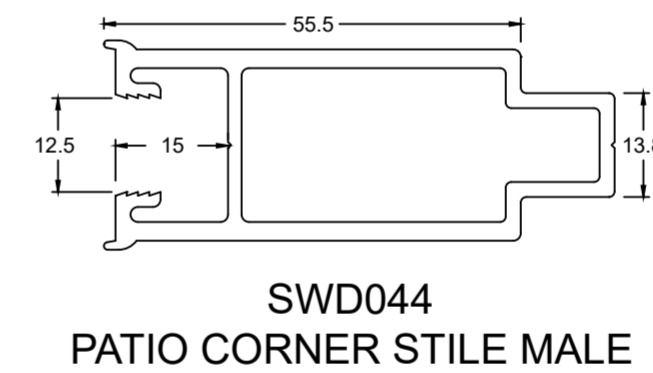
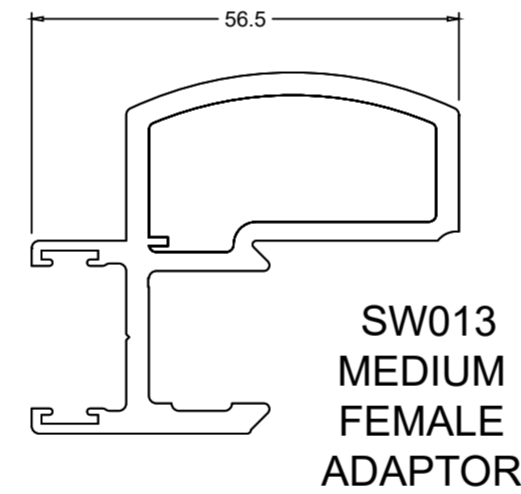
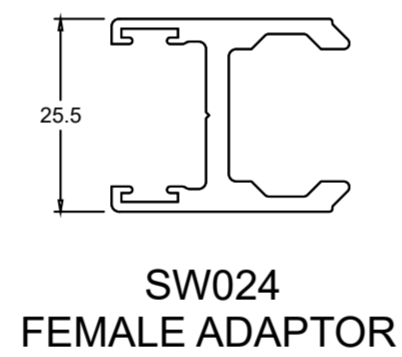
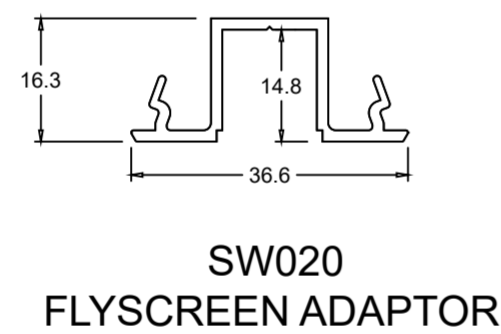
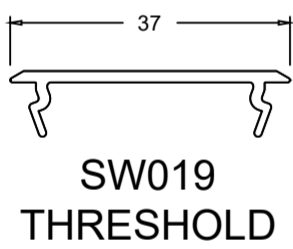
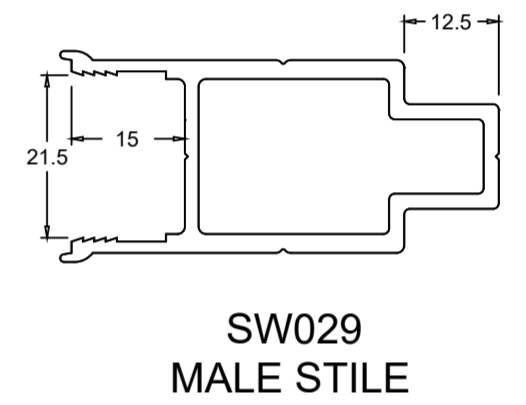
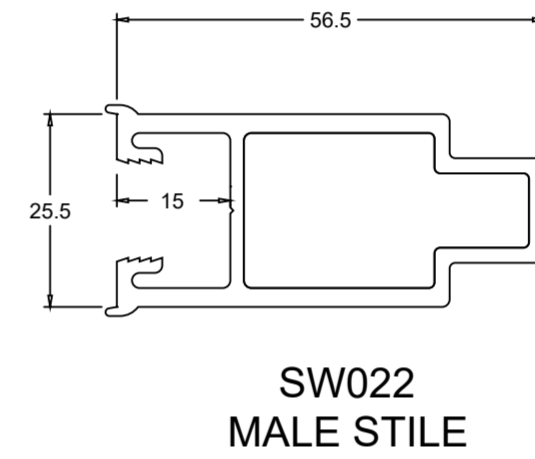
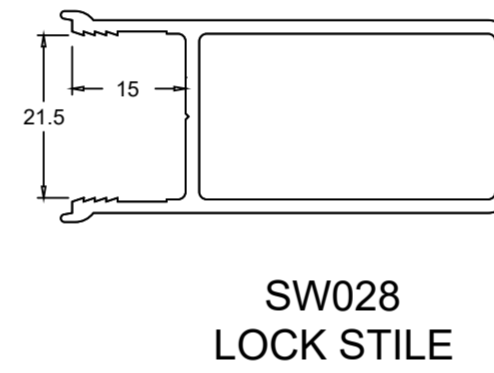
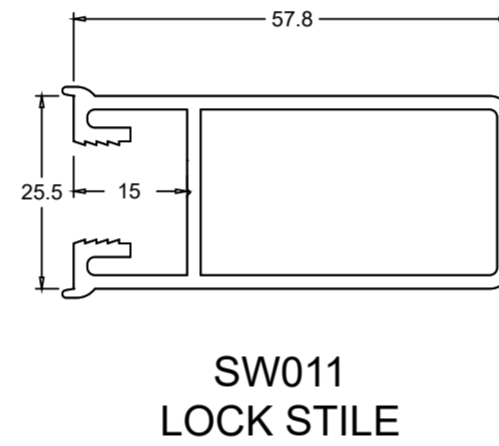
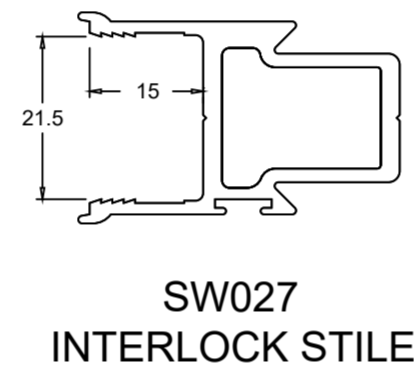
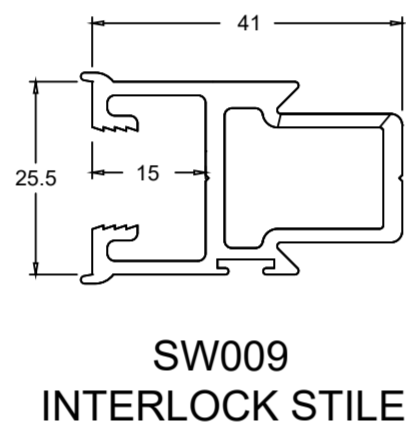
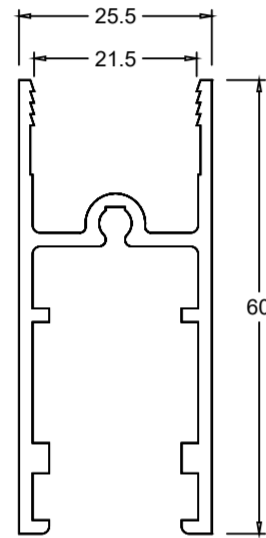
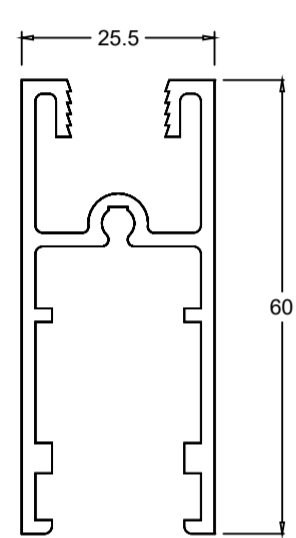
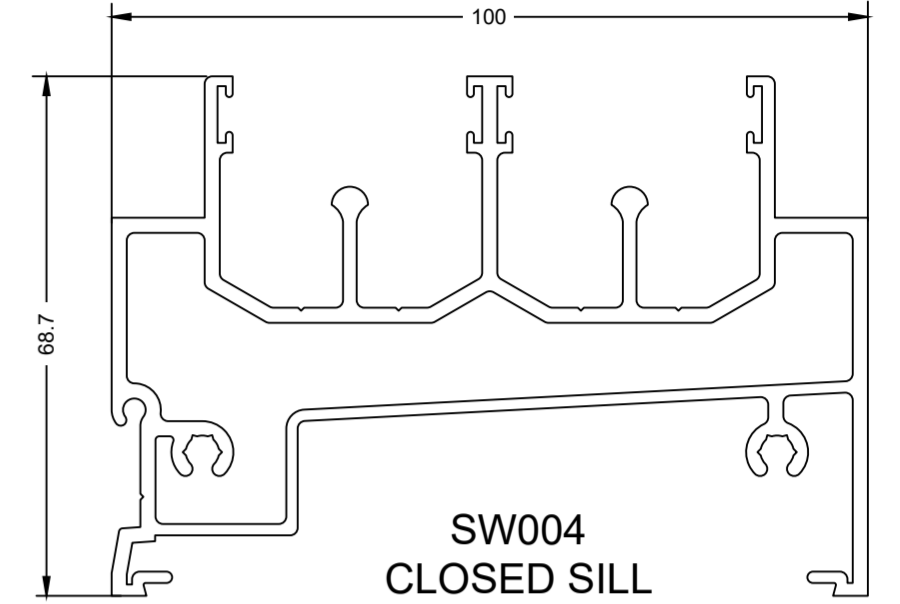
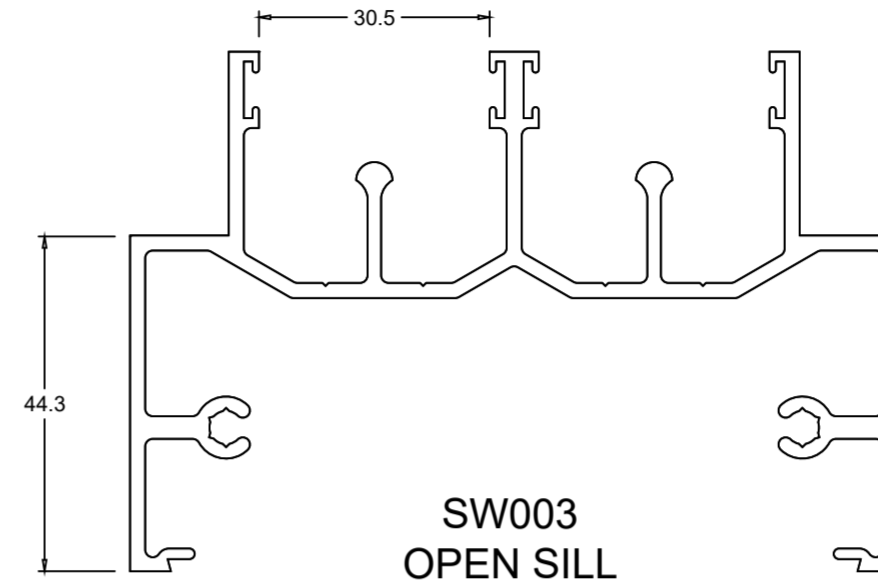
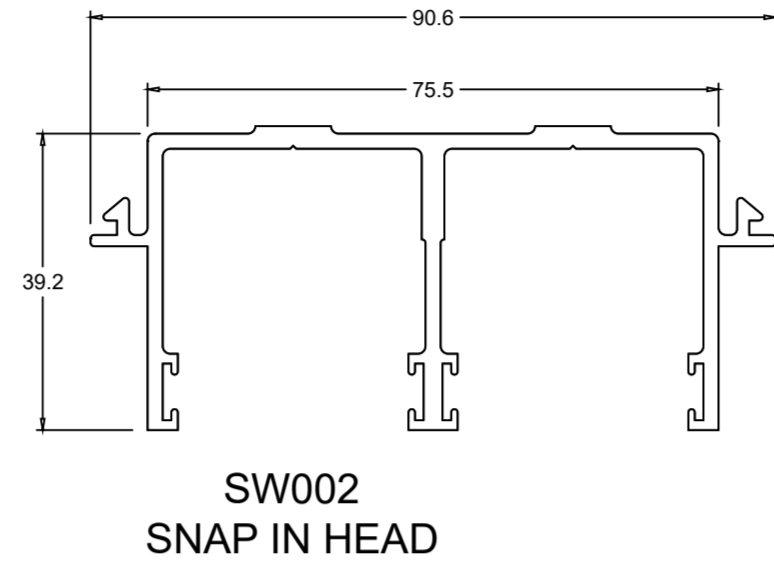
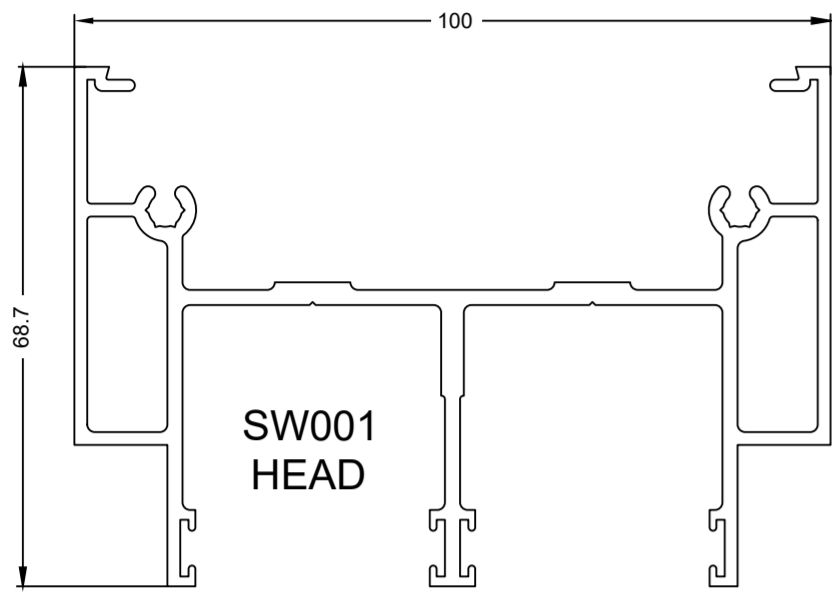
SW007
RAIL



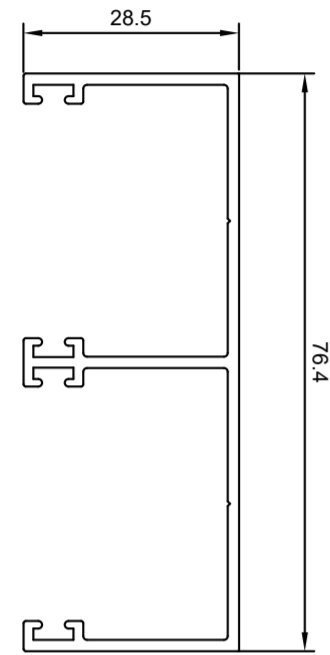
SWD041
MIDRAIL

TWO PIECE INTERLOCK OPTIONS

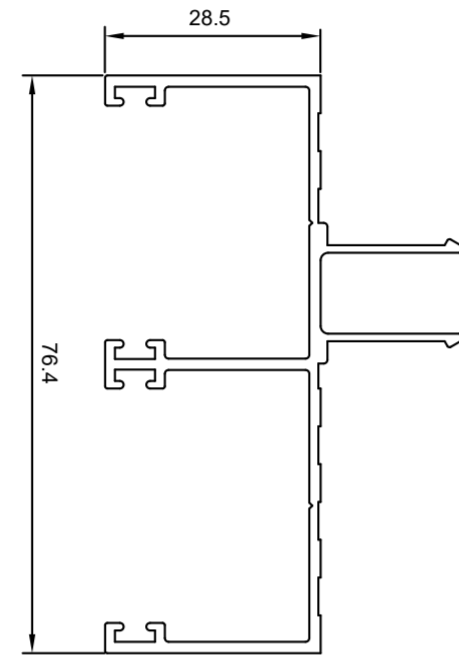




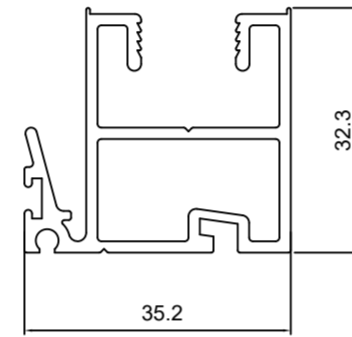
See page 25 for Single Piece Interlock Panels



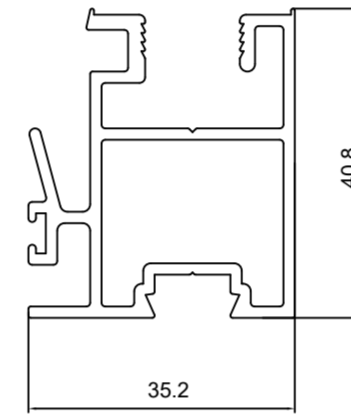
DH117
SCREW FIX
JAMB & HEAD ADAPTOR



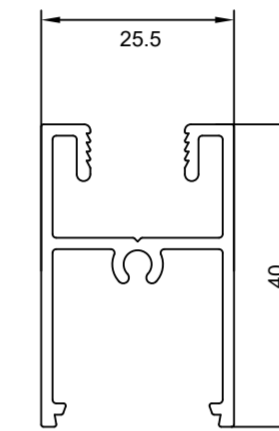
DH128
CLIP IN DOUBLE HUNG JAMB
& HEAD CHANNEL



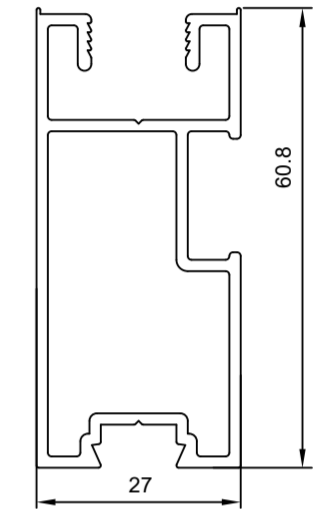
DH242
SINGLE GLAZED
INTERLOCK



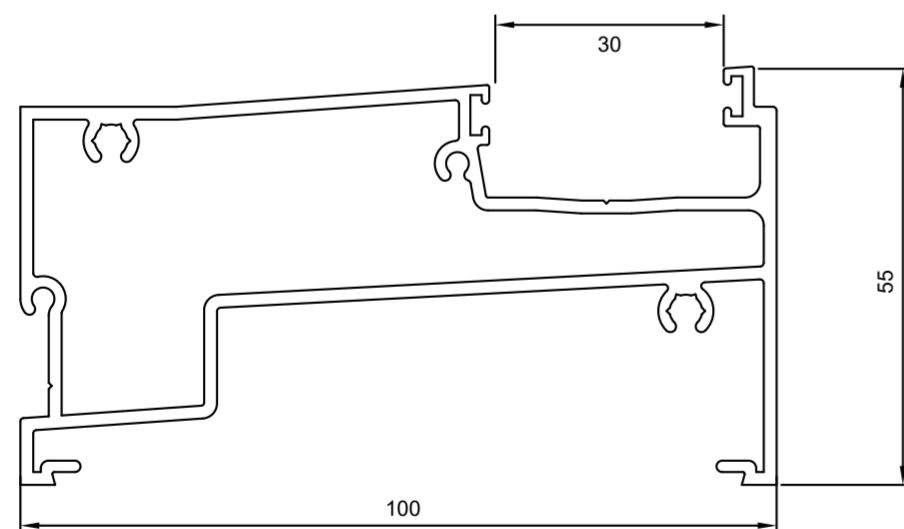
DH243
SINGLE GLAZED
INTERLOCK



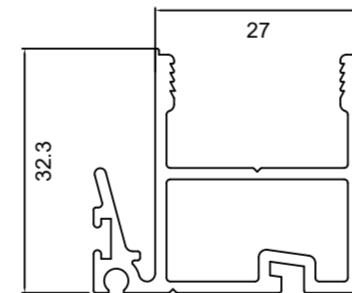
DH245
SINGLE GLAZED
STILE



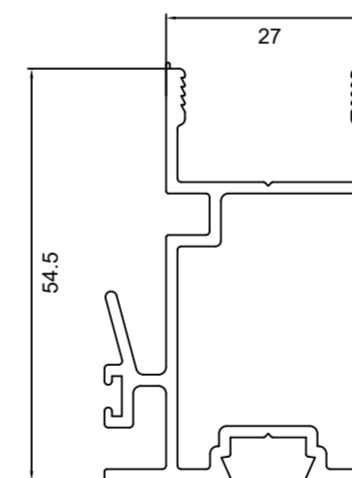
DH248
SINGLE GLAZED
SASH RAIL



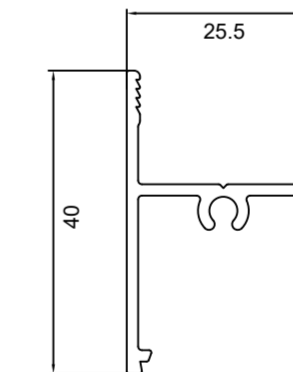
DH256 SILL ENCLOSED



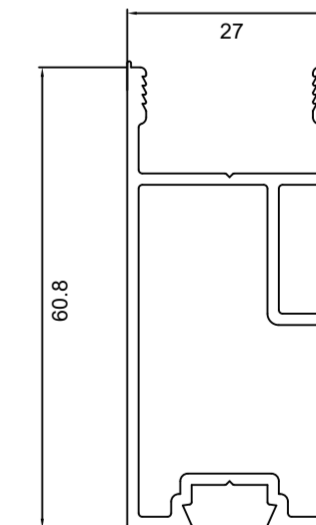
DH252
DOUBLE GLAZED INTERLOCK



DH253
DOUBLE GLAZED INTERLOCK

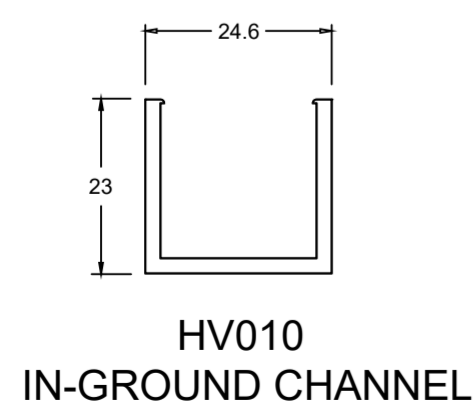
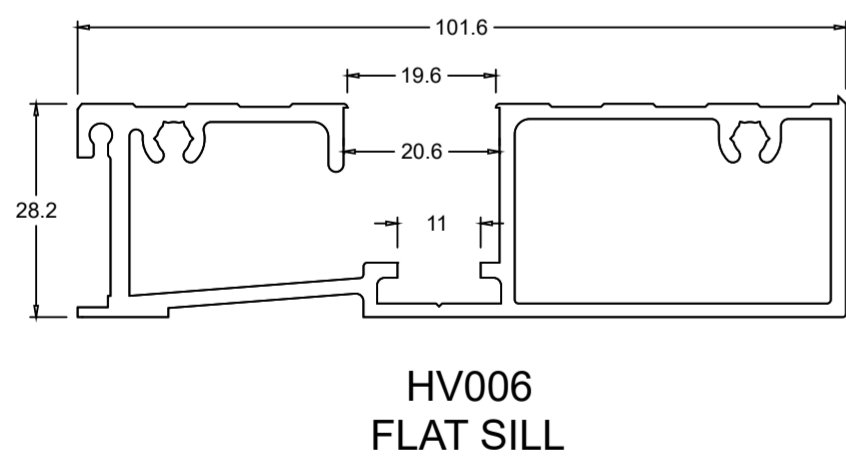
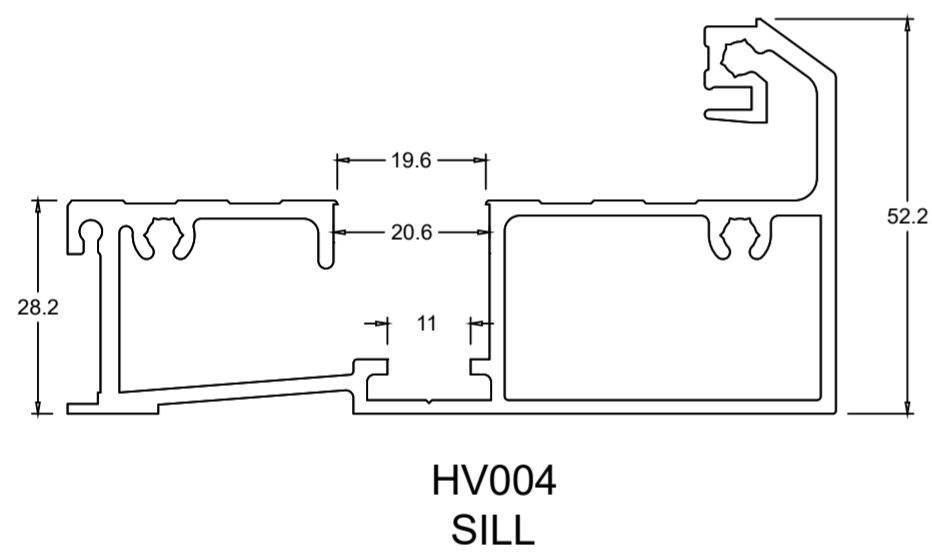
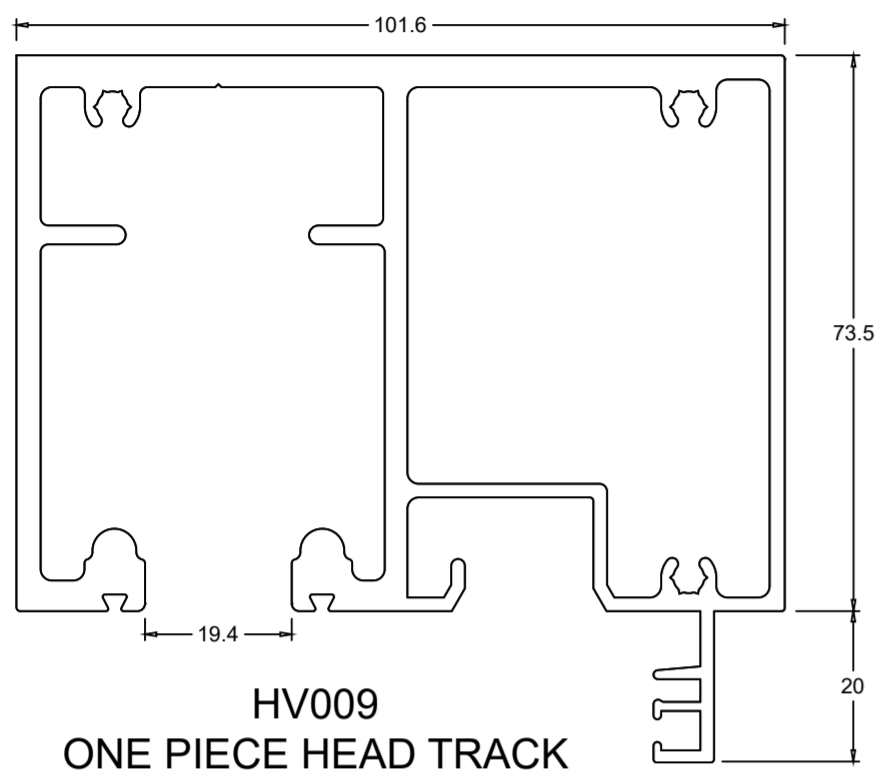


DH255
DOUBLE GLAZED STILE

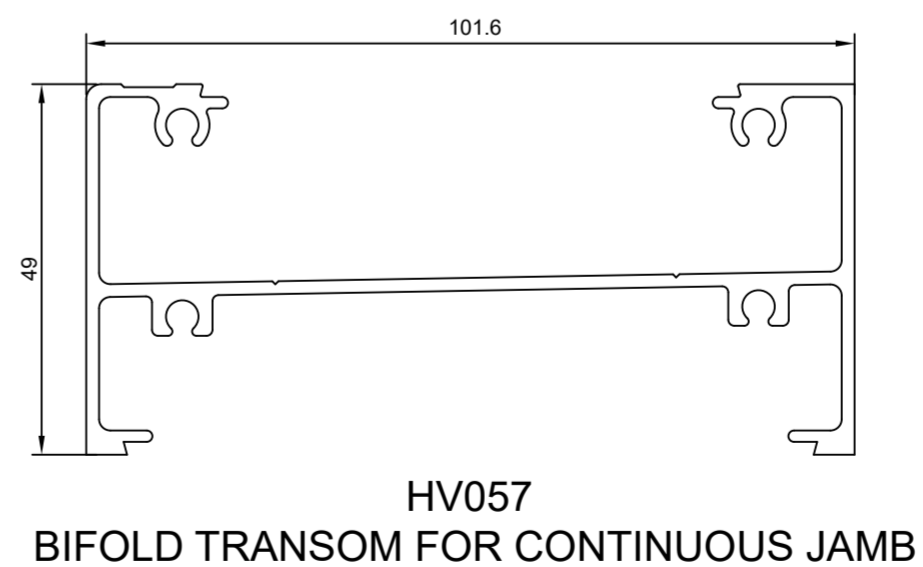
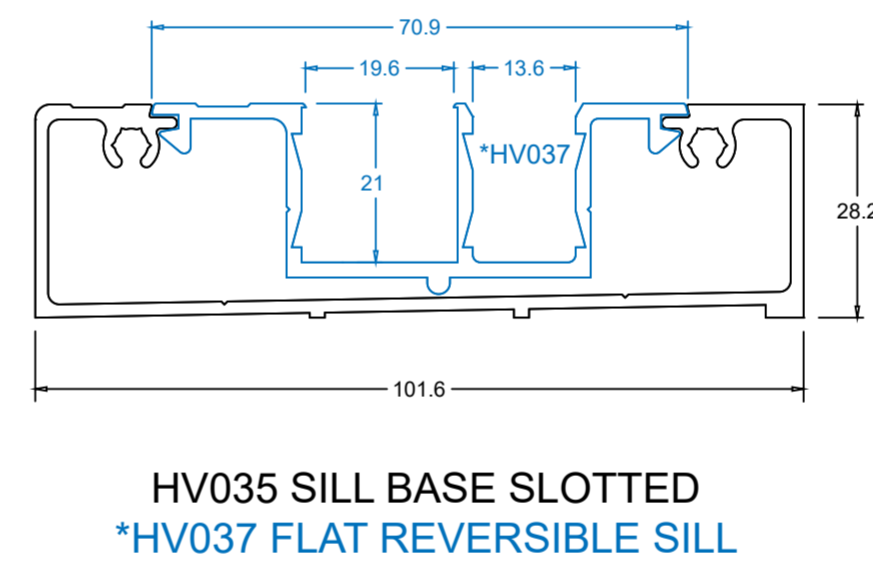
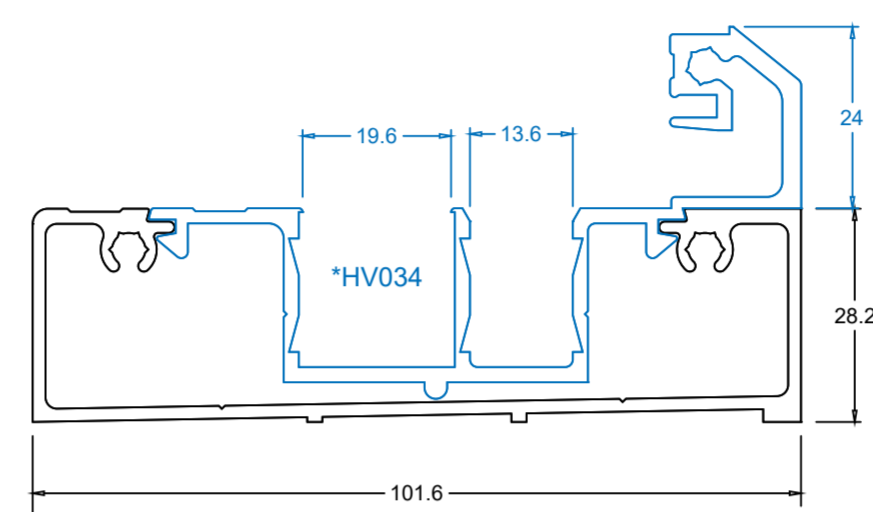
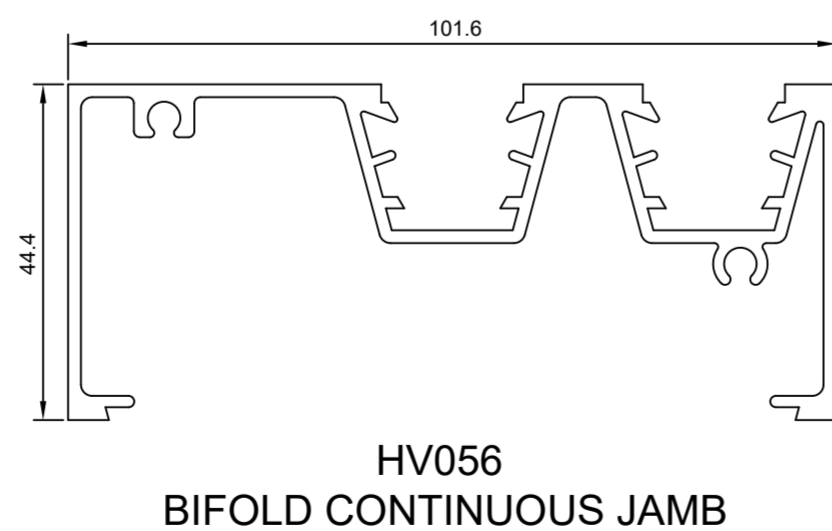
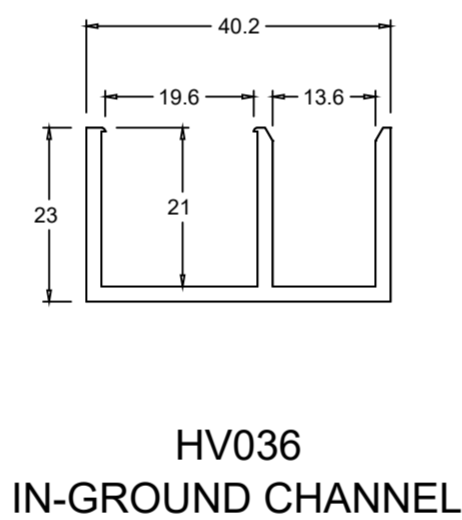
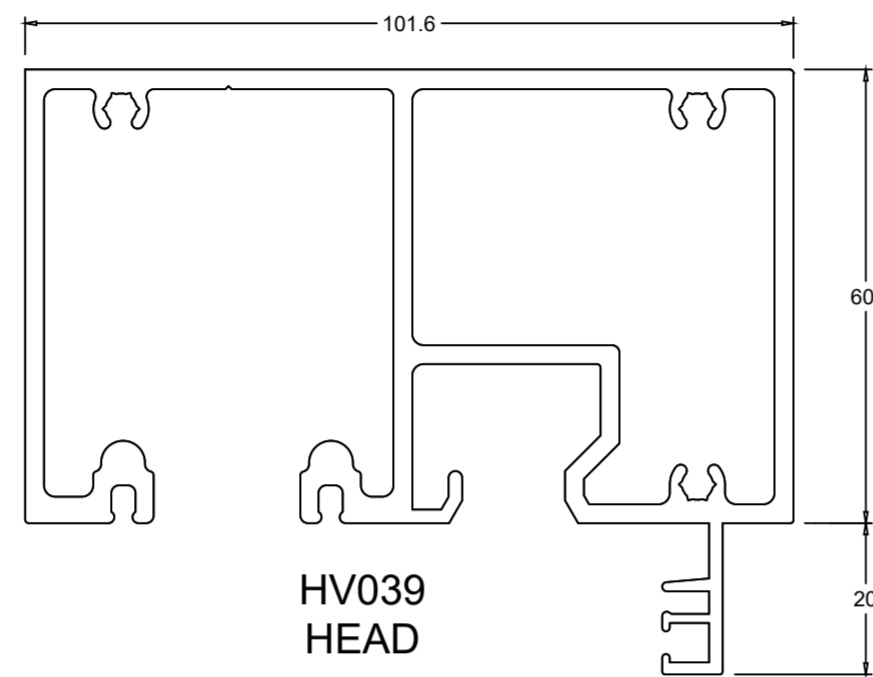


DH258
DOUBLE GLAZED SASH RAIL

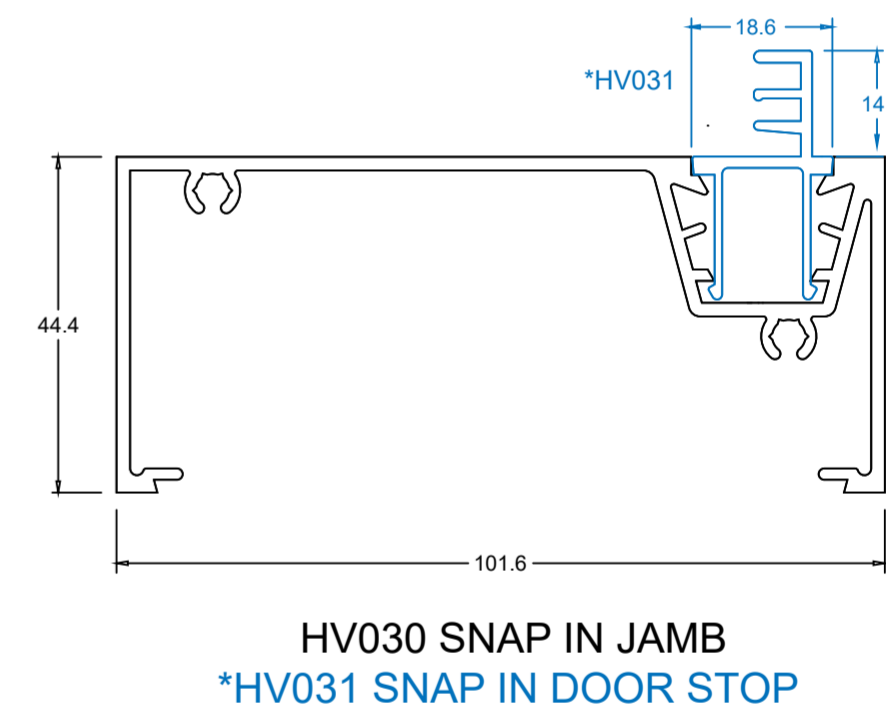
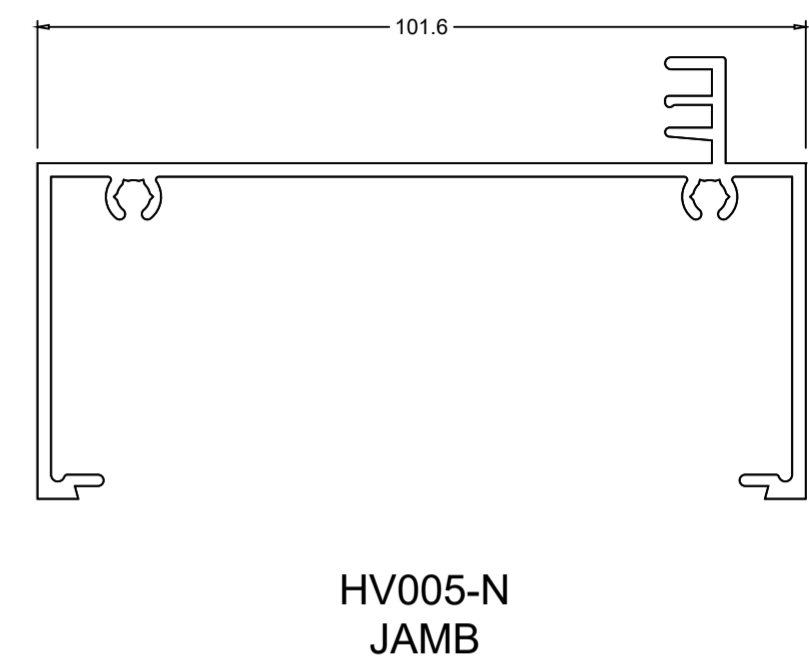
BRIO LOCKING BOLT

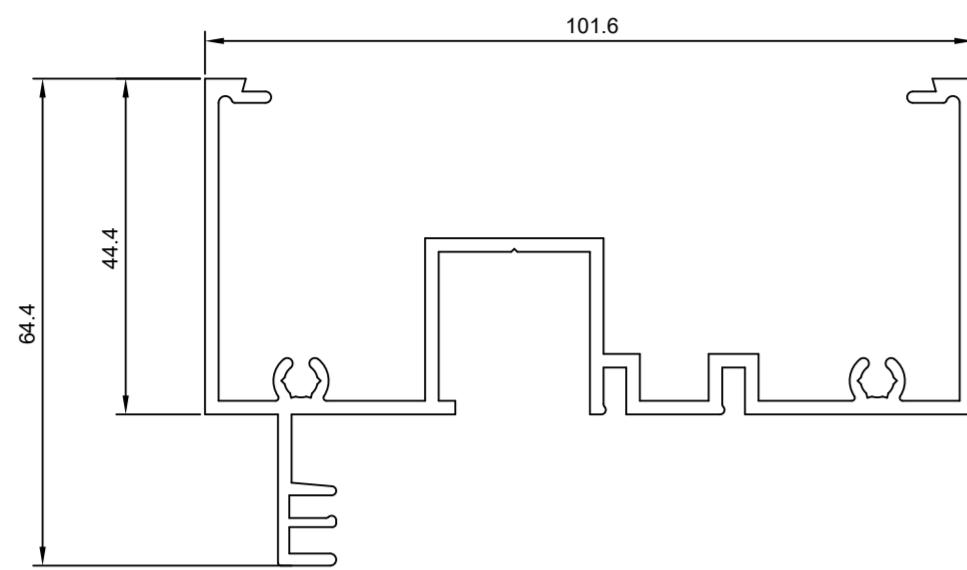


STANDARD LOCKING BOLT

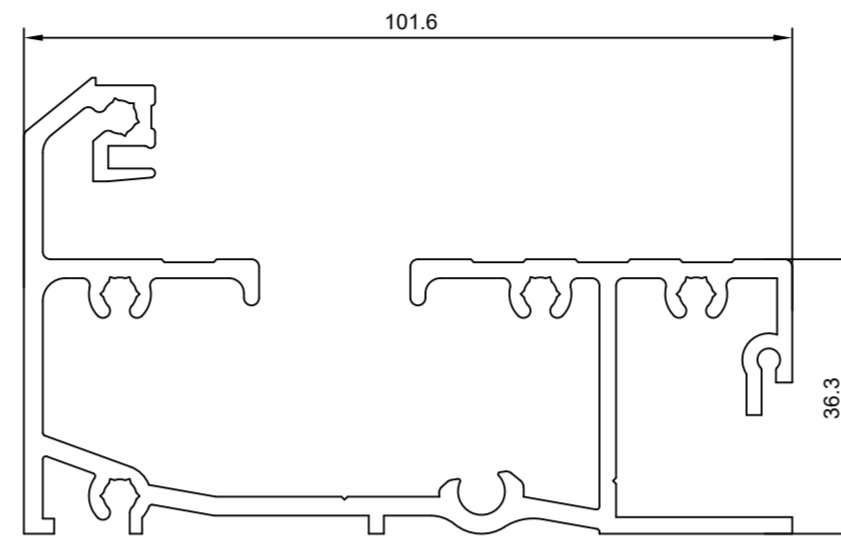


COMMON

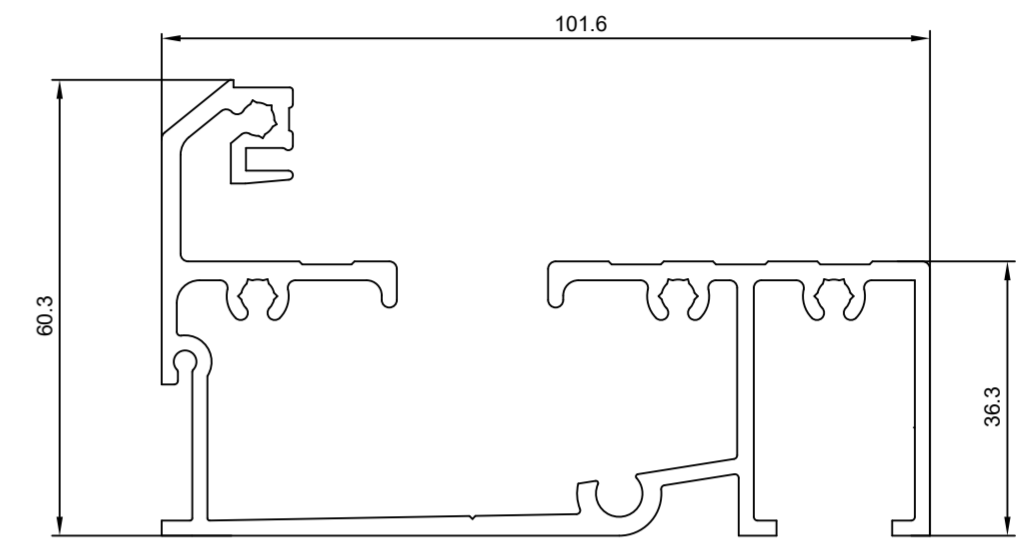




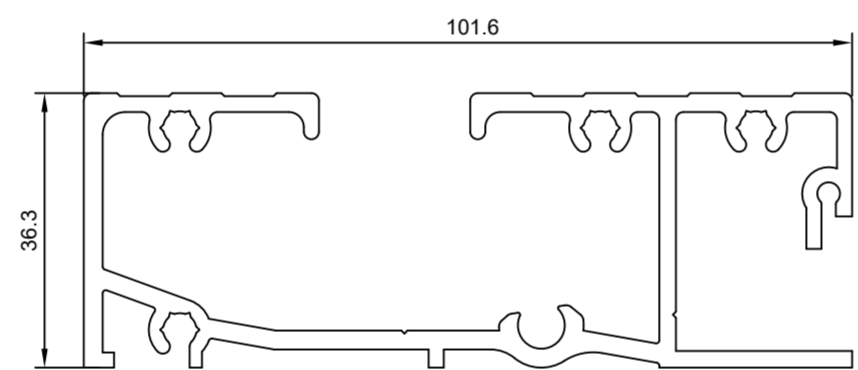
HV401
BOTTOM ROLLING HEAD



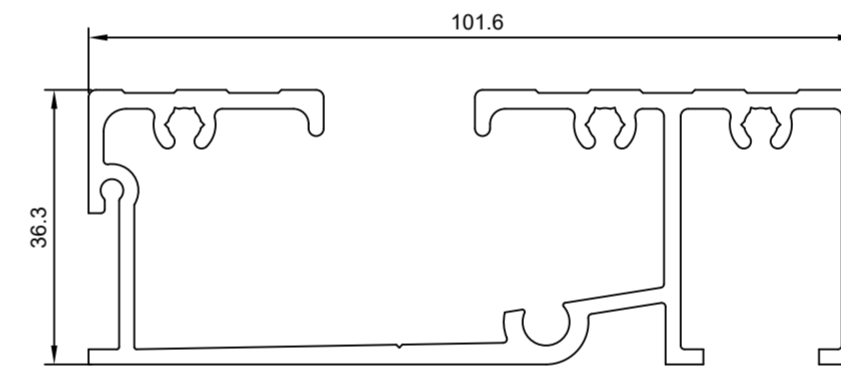
HV402
BOTTOM ROLLING OUTWARD SILL



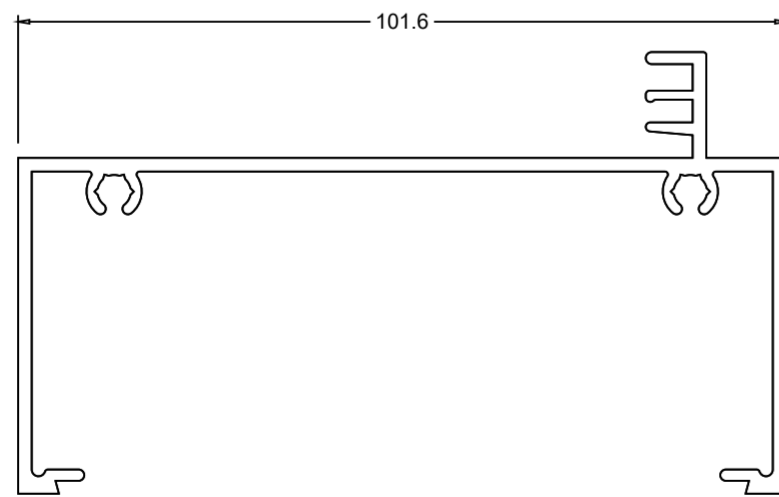
HV403
BOTTOM ROLLING INWARD SILL



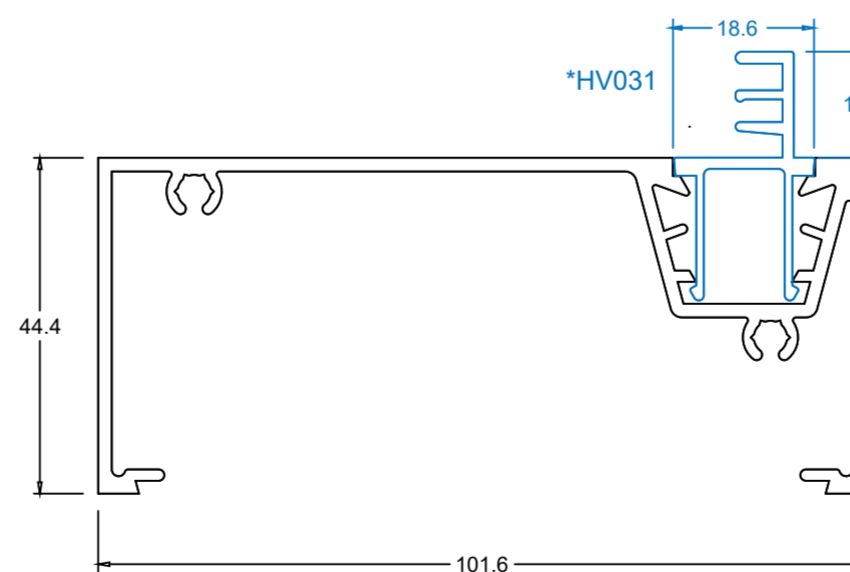
HV404
BOTTOM ROLLING OUTWARD FLUSH SILL



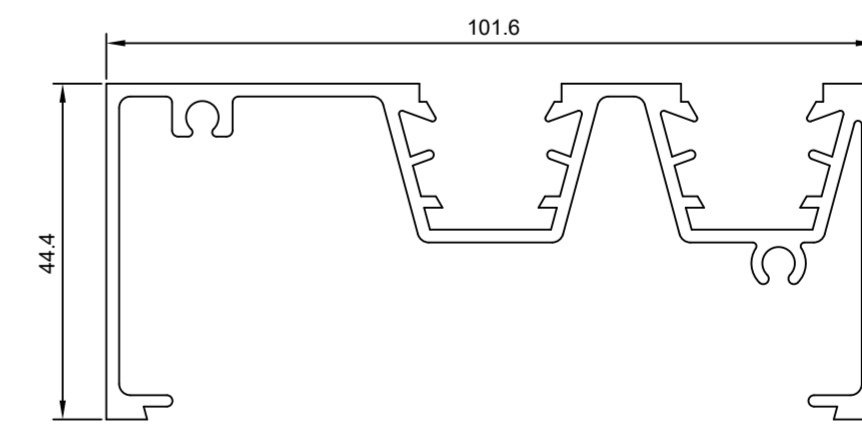
HV405
BOTTOM ROLLING INWARD FLUSH SILL



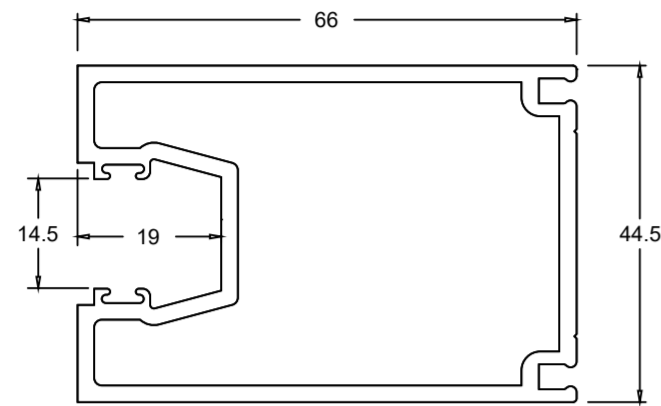
HV005-N
JAMB



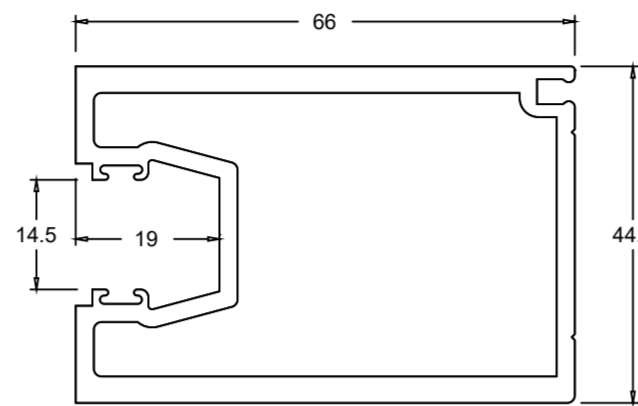
HV030 SNAP IN JAMB
***HV031** SNAP IN DOOR STOP



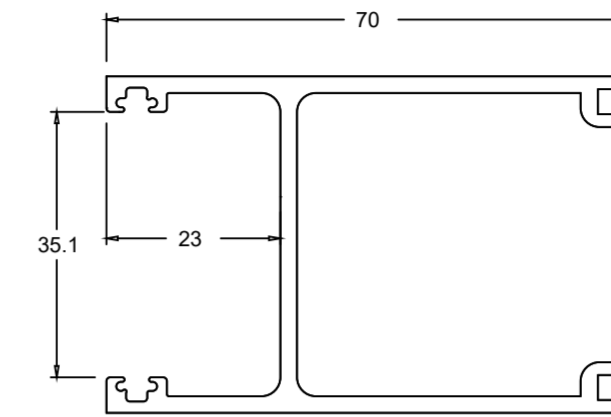
HV056
BIFOLD CONTINUOUS JAMB



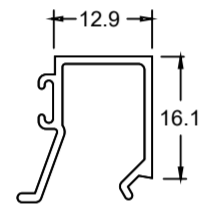
HV271
DOOR STILE



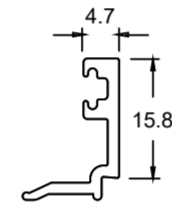
HV281
H/D DOOR STILE



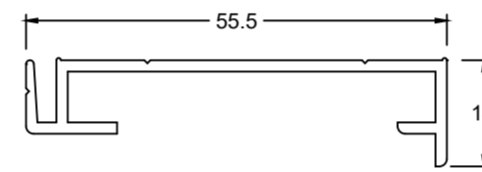
HV291
DOUBLE GLAZED DOOR STILE



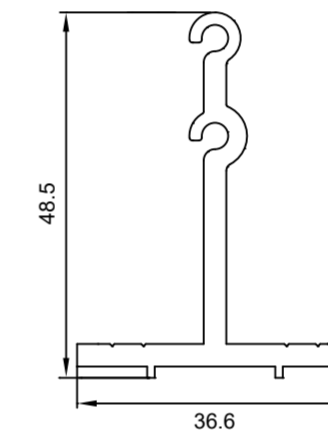
HV274
DOOR BEAD



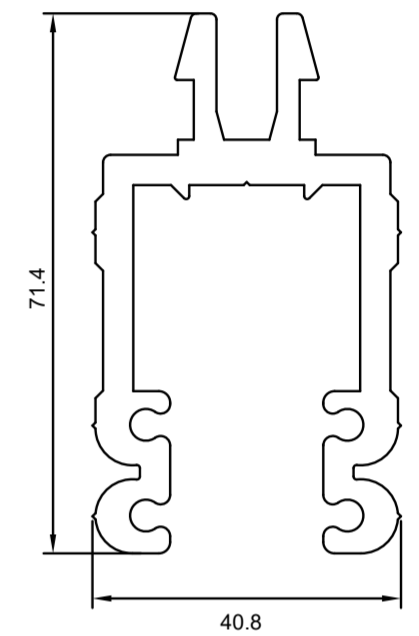
HV276
D/G MULTIFOLD BEAD



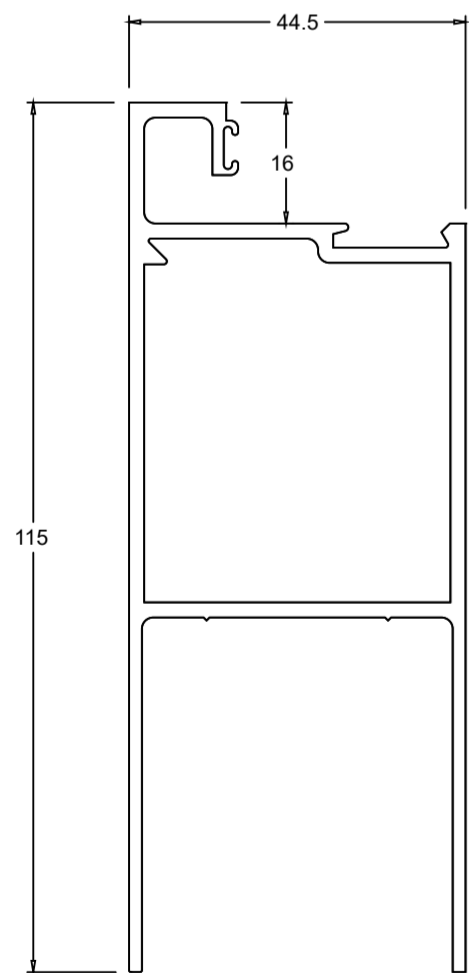
LV052
45 MM DOOR LOUVRE FRAME



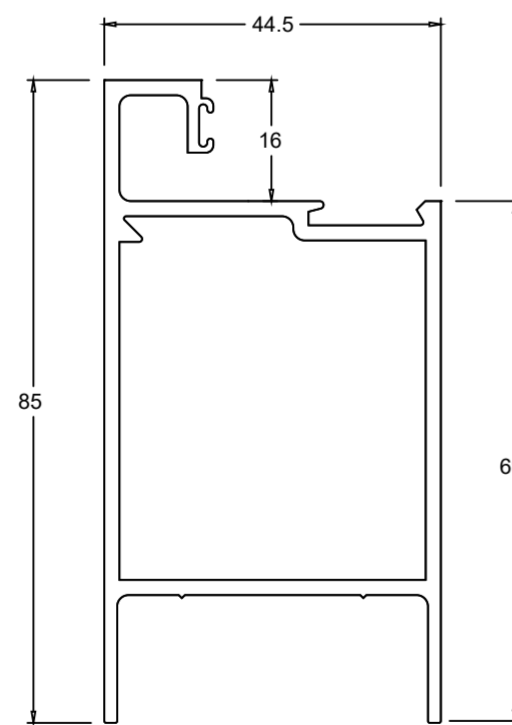
TJ212
MID RAIL BRACKET



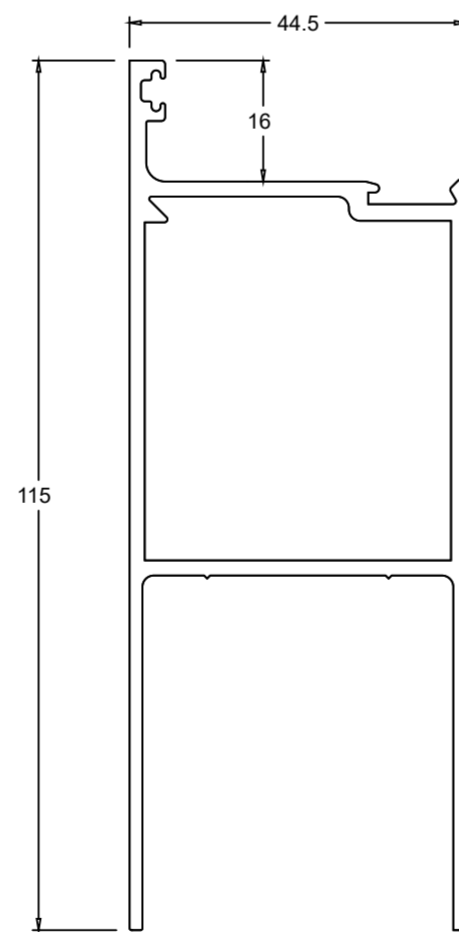
1825
SPIGOT FOR
MULTIFOLD DOOR



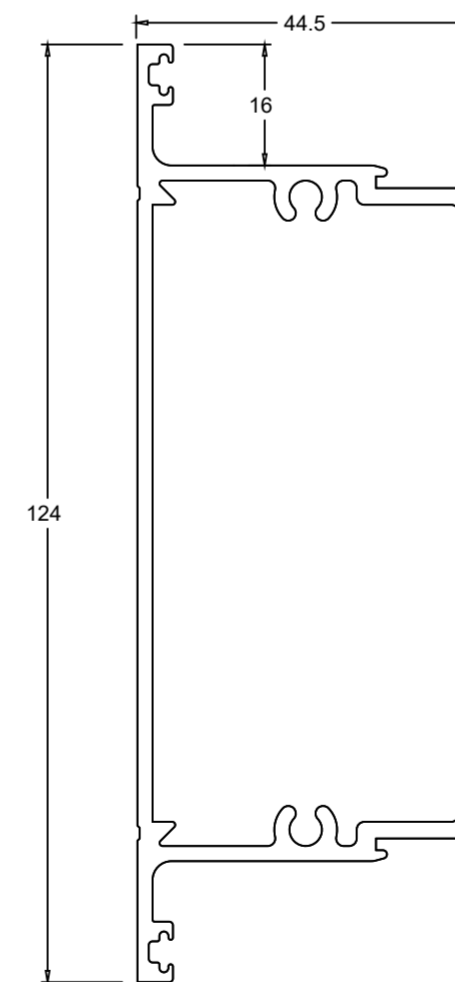
HV273
LARGE RAIL



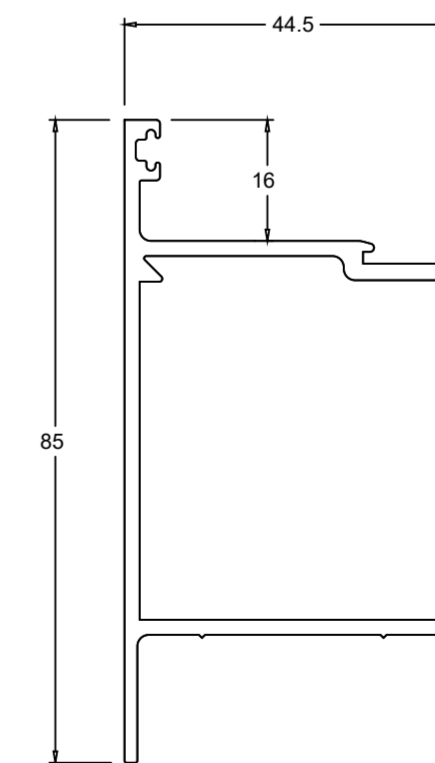
HV289
SMALL RAIL



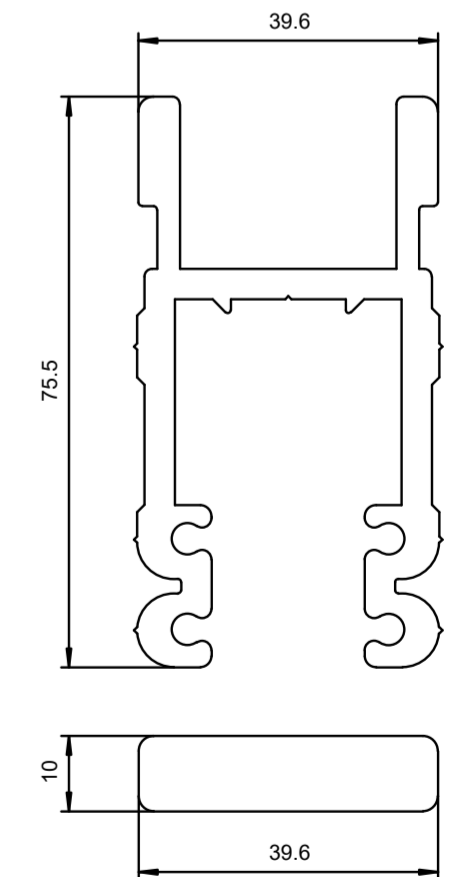
HV275
DOUBLE GLAZED LARGE RAIL



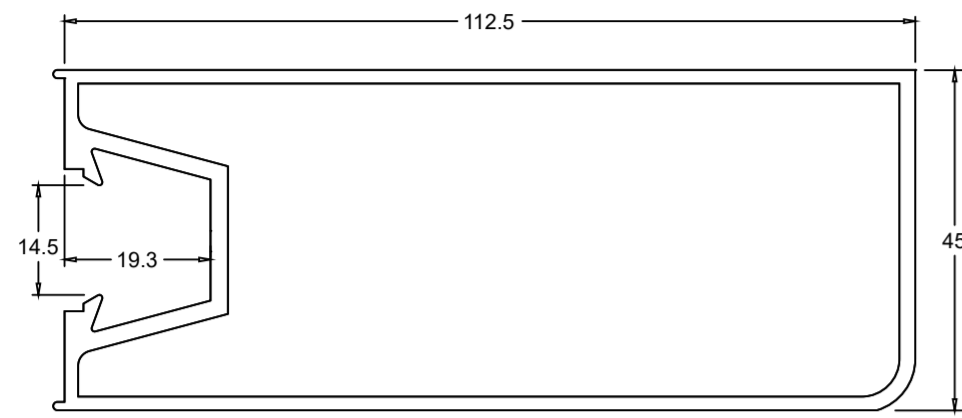
HV278
DOUBLE GLAZED MID RAIL



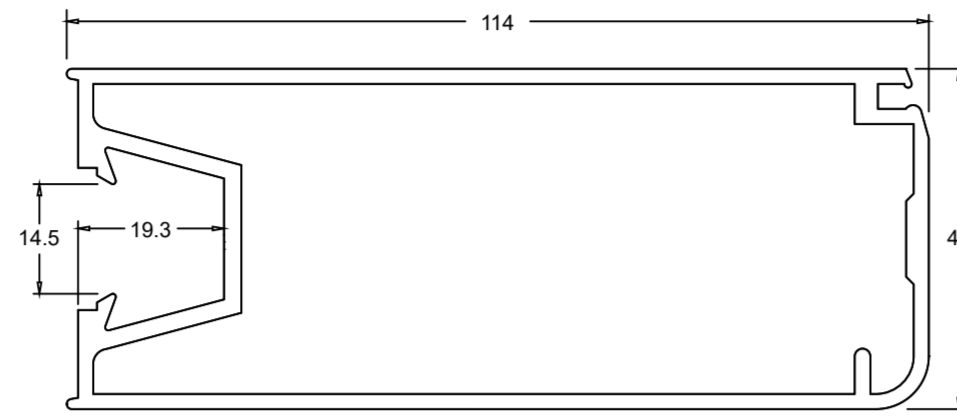
HV277
DOUBLE GLAZED SMALL RAIL



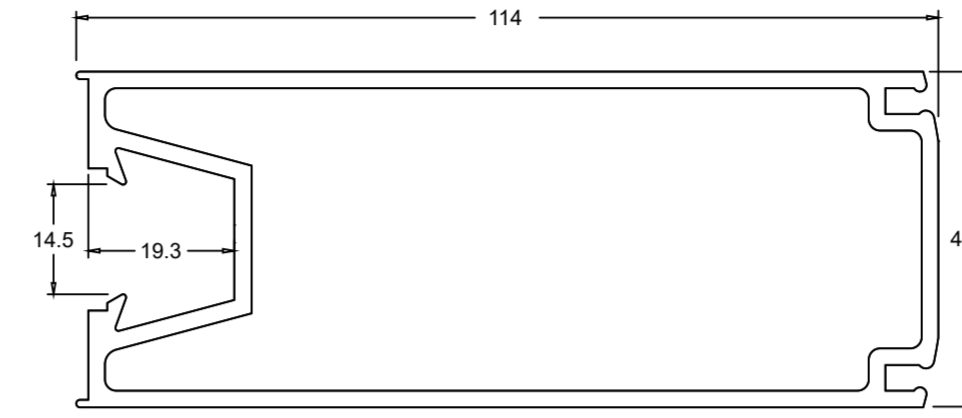
1826
SPIGOT FOR
MULTIFOLD DOOR



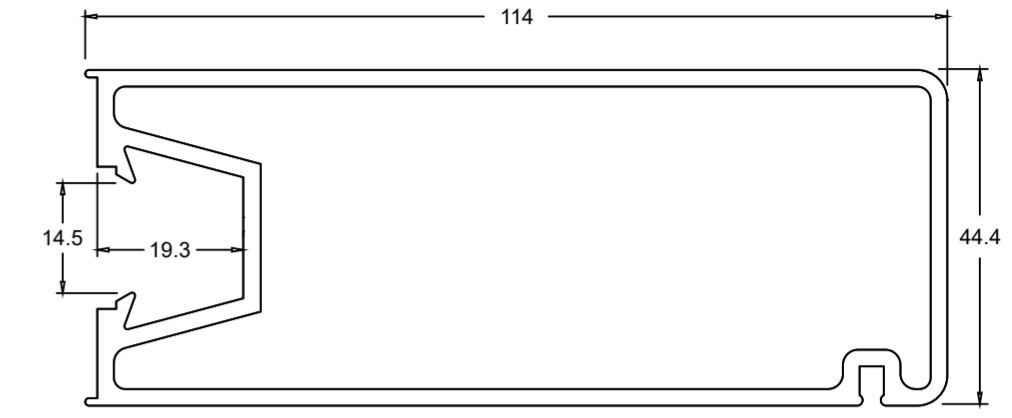
TJ154 HINGE STILE



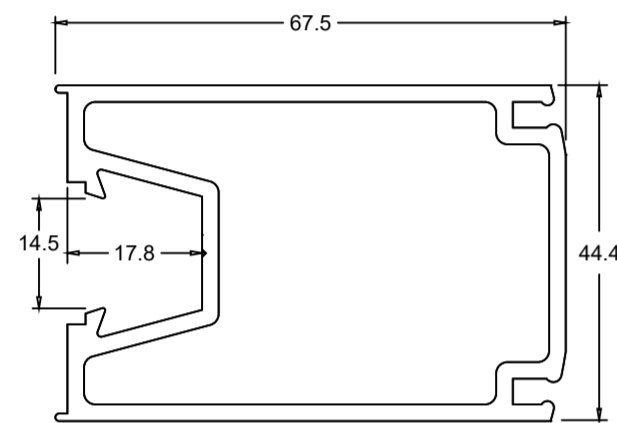
TJ155 LOCK STILE



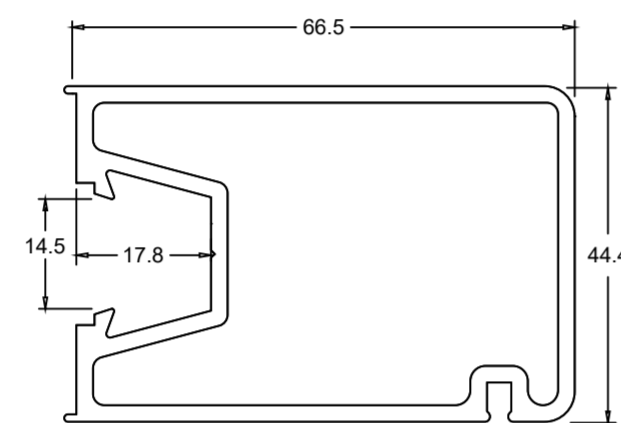
TJ158 PIVOT STILE



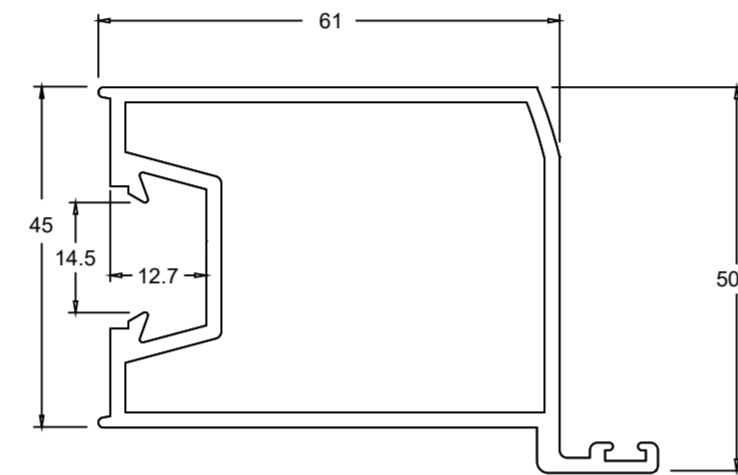
TJ159 SLIDING STILE



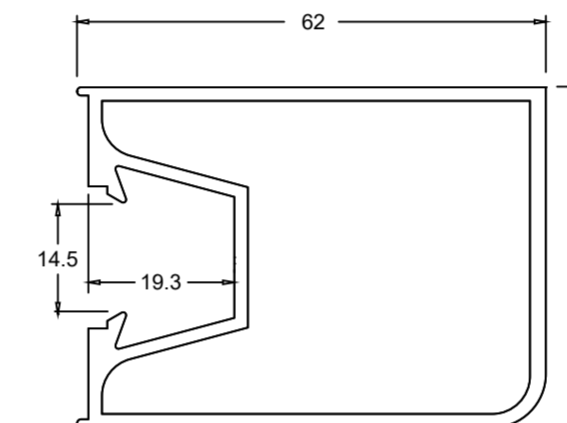
TJ321 PIVOT STILE



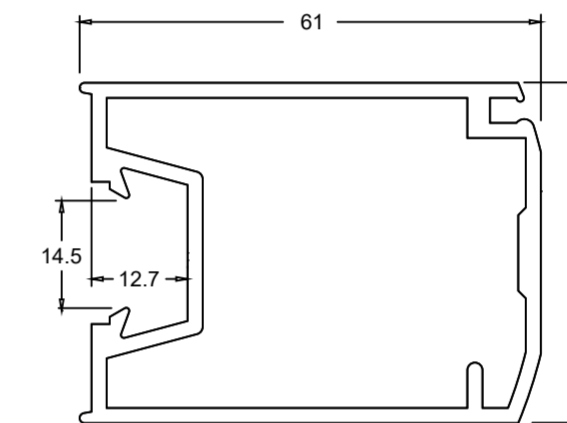
TJ322 SLIDING STILE



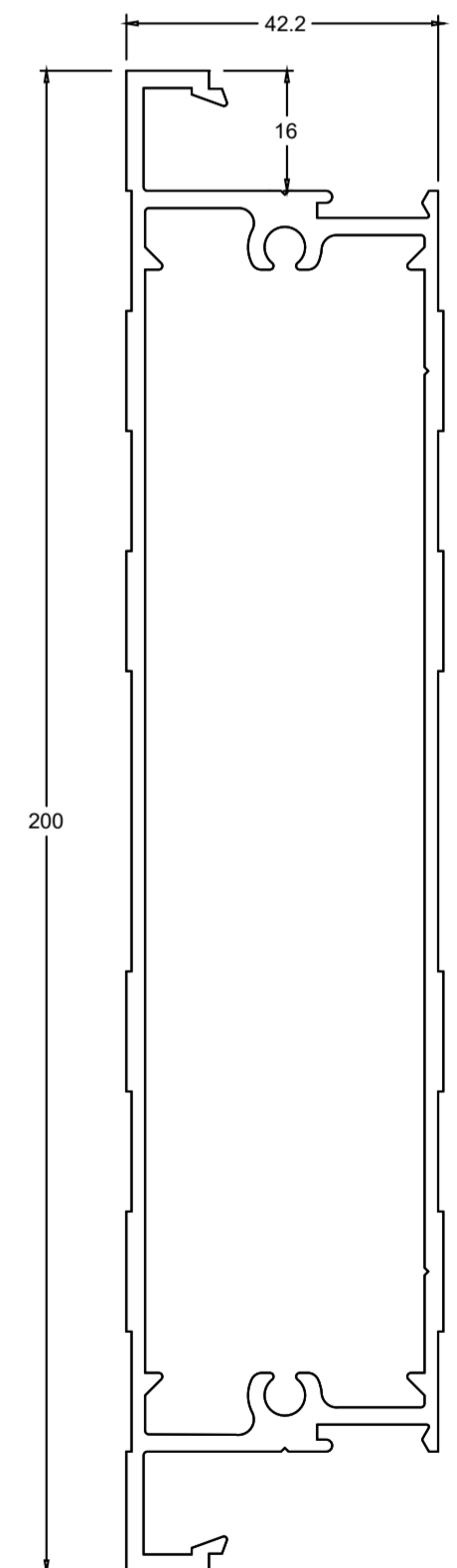
TJ327 MEETING STILE



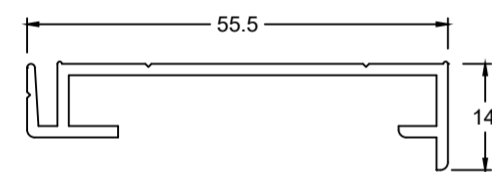
TJ311 HINGE STILE



TJ312 LOCK STILE

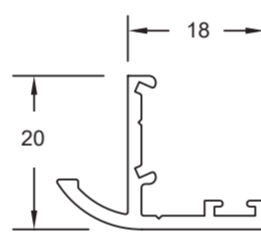


TJ369 MID RAIL

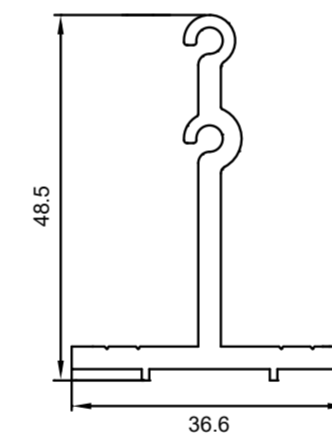
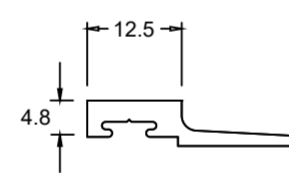


LV052
45 MM DOOR
LOUVRE FRAME

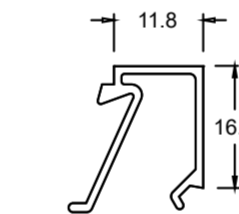
TJ454
UNIVERSAL DOUBLE
DOOR COVER



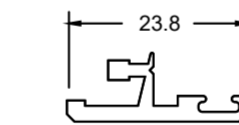
TJ341
INTERLOCK



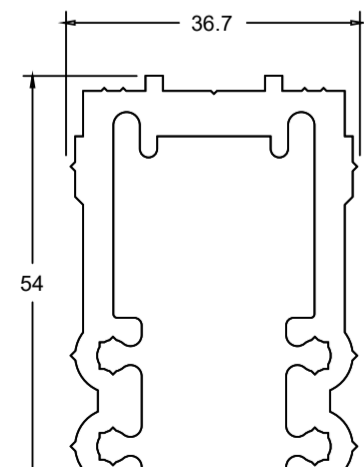
TJ212
MID RAIL BRACKET



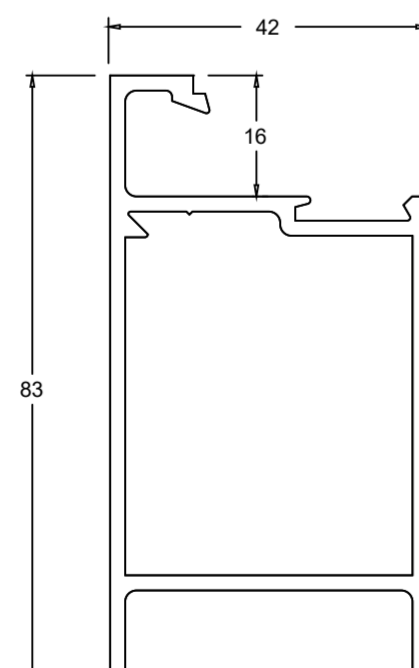
TJ314
DOOR BEAD



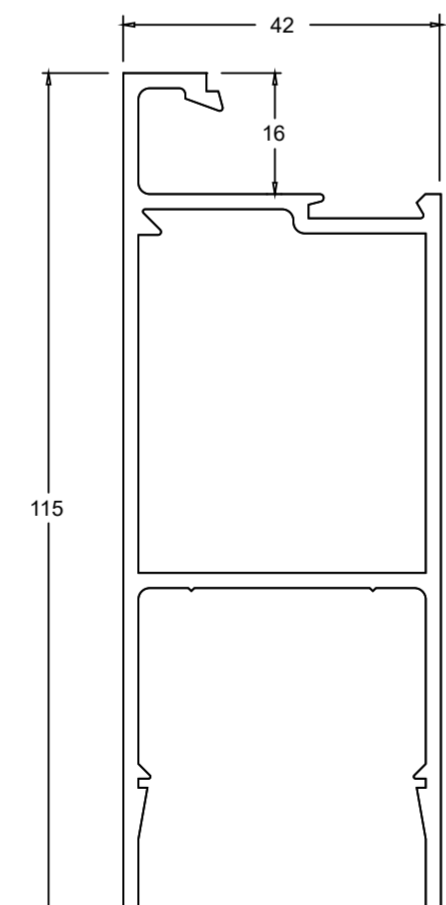
TJ332
DOOR COVER



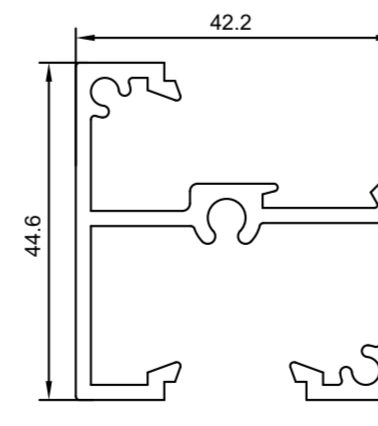
1816
SPIGOT



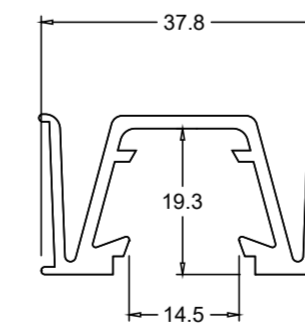
TJ313
DOOR TOP RAIL



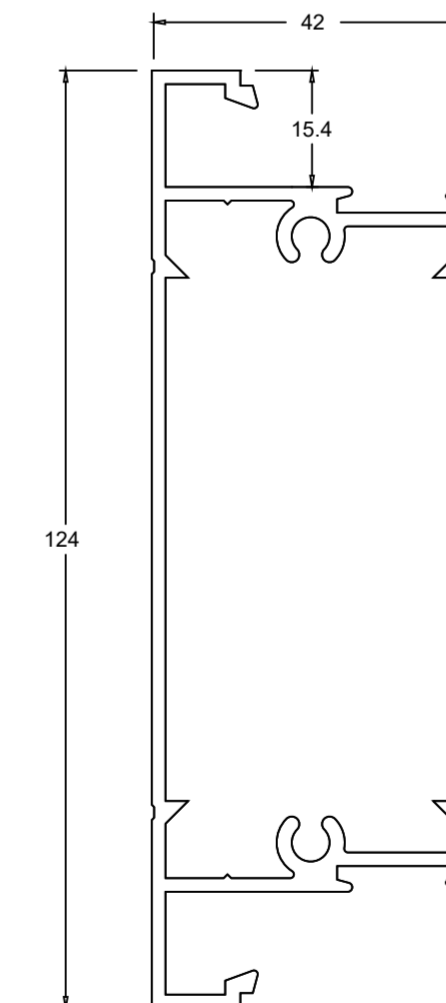
TJ315
DOOR BOTTOM RAIL



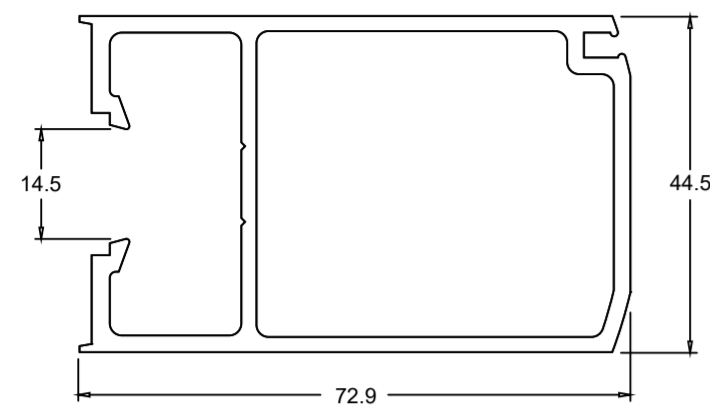
TJ326
MID RAIL



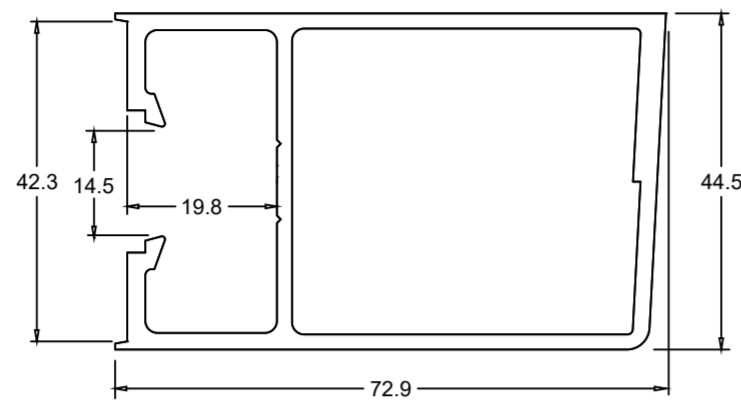
TJ316
MID RAIL ADAPTOR



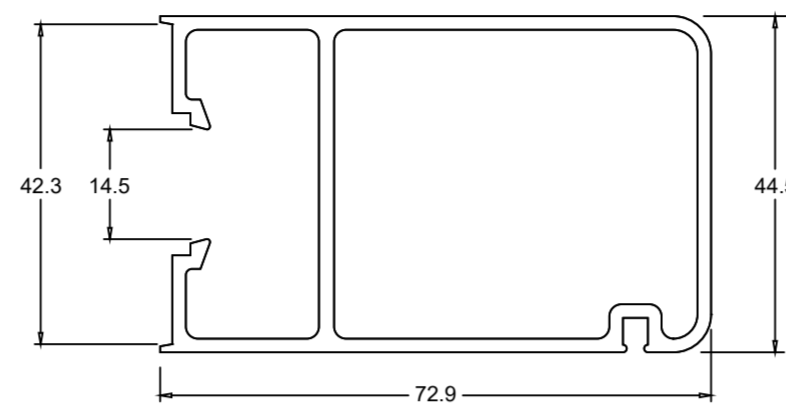
TJ124
MID RAIL



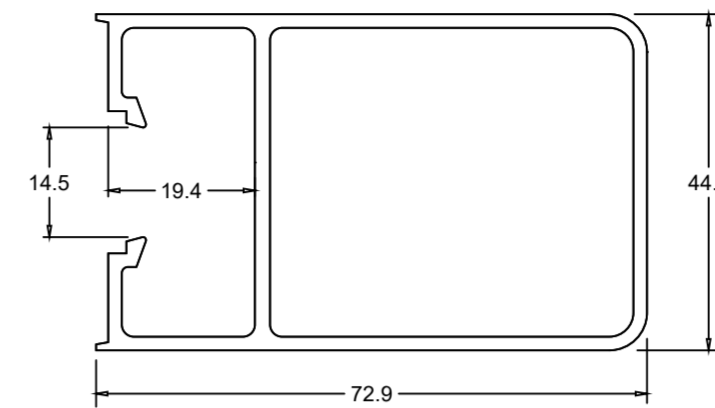
TJ440
LOCK STILE



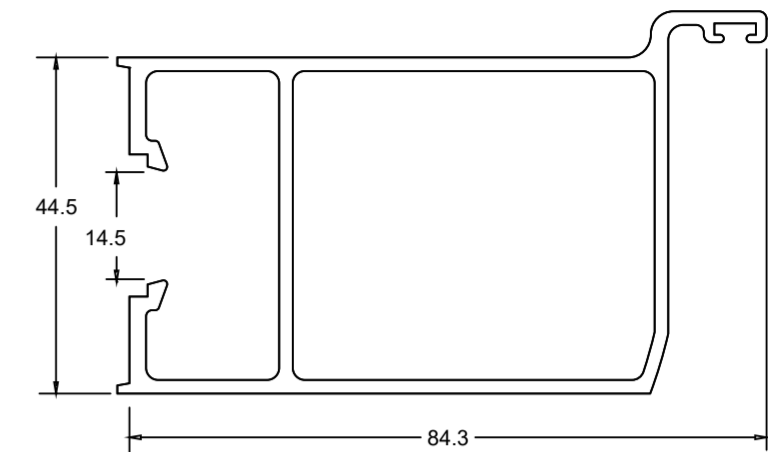
TJ441
HINGE STILE



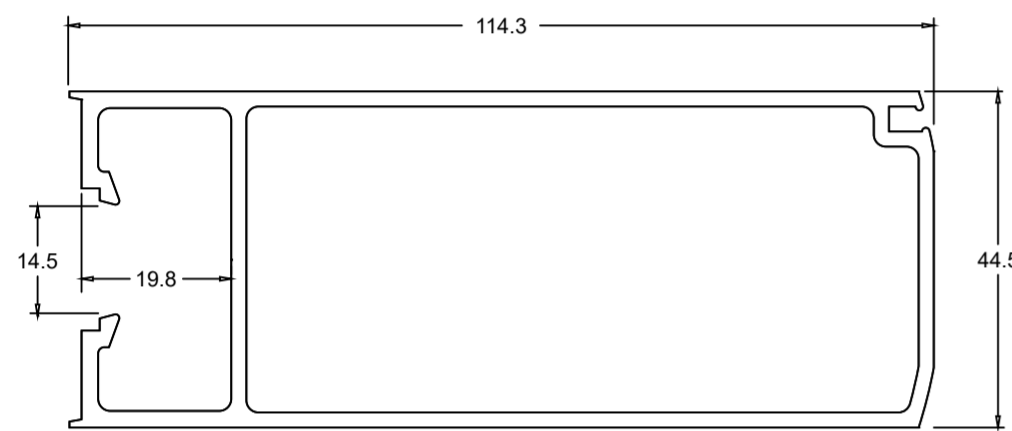
TJ442
SLIDING STILE



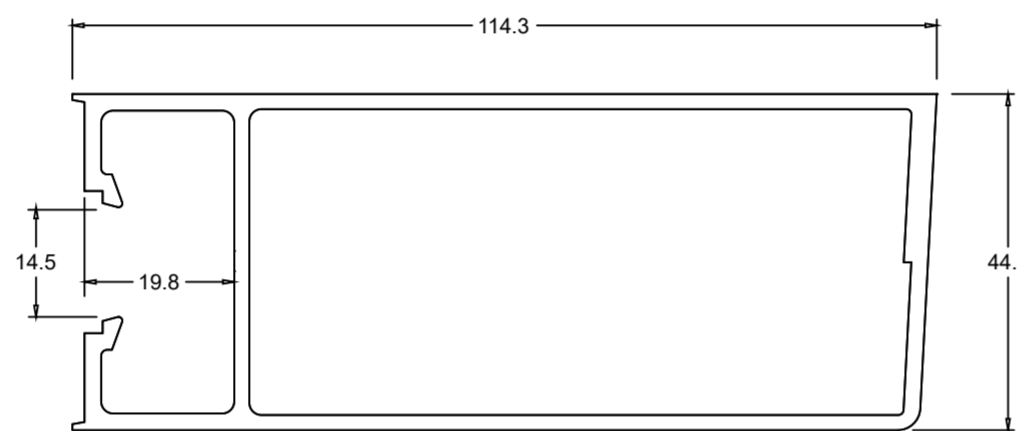
TJ443
PLAIN STILE



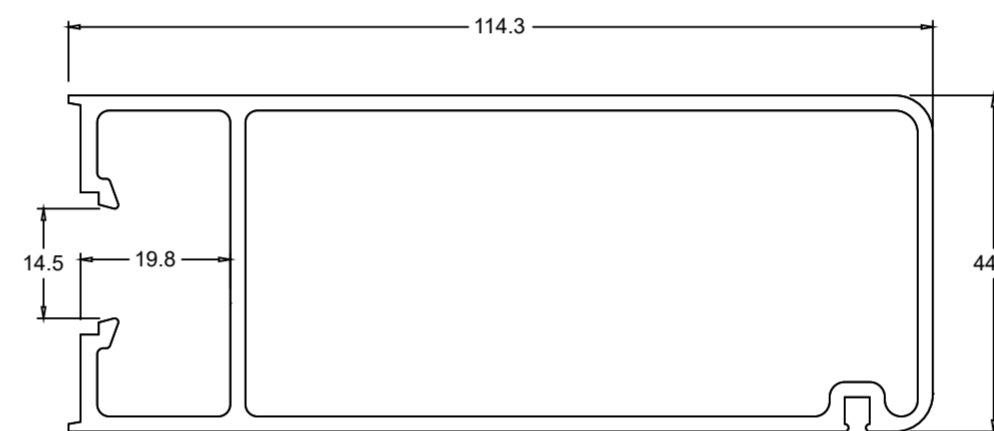
TJ444
MEETING STILE



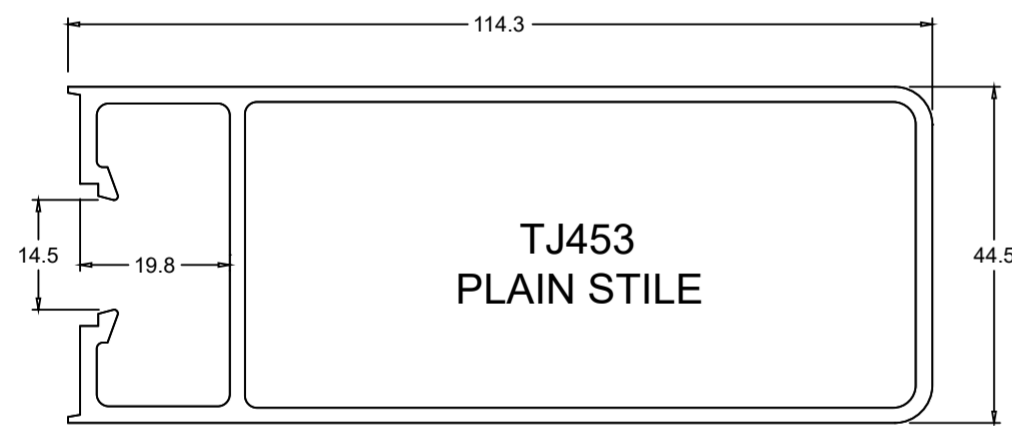
TJ450
LOCK STILE



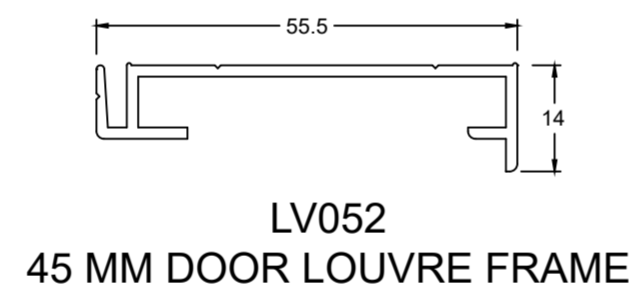
TJ451
HINGE STILE



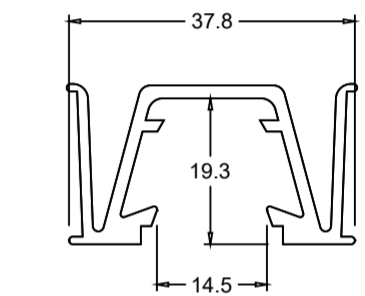
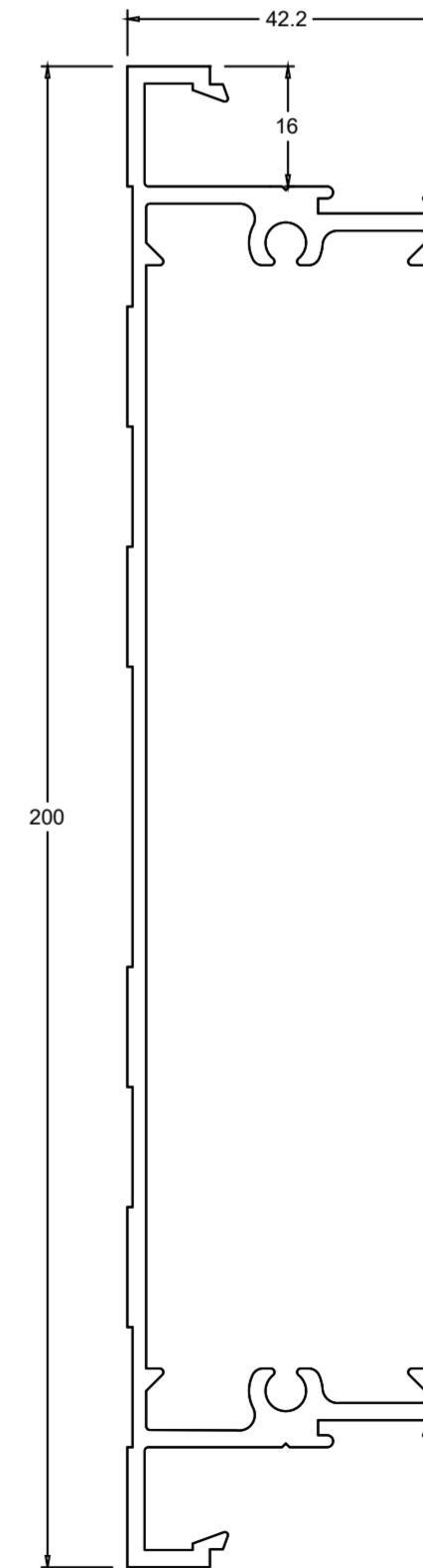
TJ452
SLIDING STILE



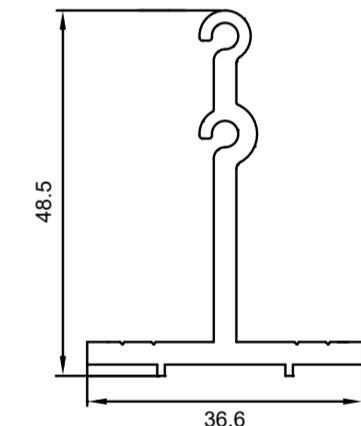
TJ453
PLAIN STILE



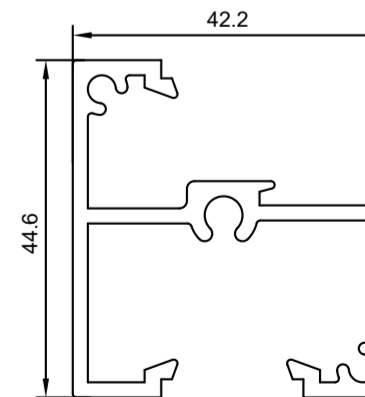
LV052
45 MM DOOR LOUVRE FRAME



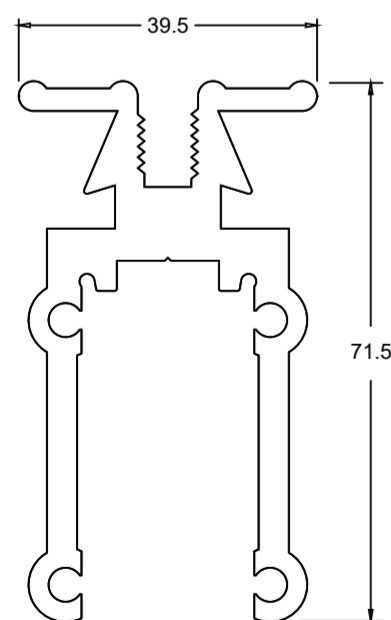
TJ316
MID RAIL ADAPTOR



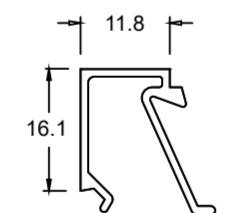
TJ212
MID RAIL BRACKET



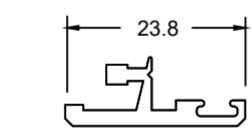
TJ326
MID RAIL



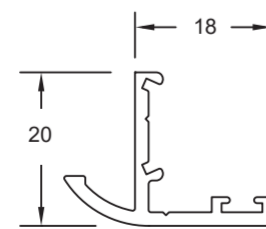
1817
OPEN POCKET SPIGOT



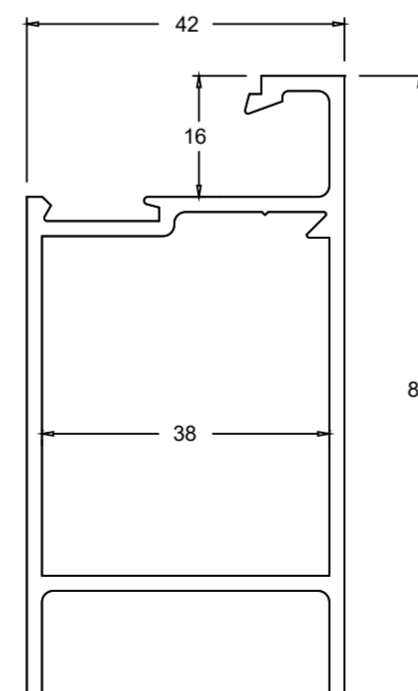
TJ314
DOOR BEAD



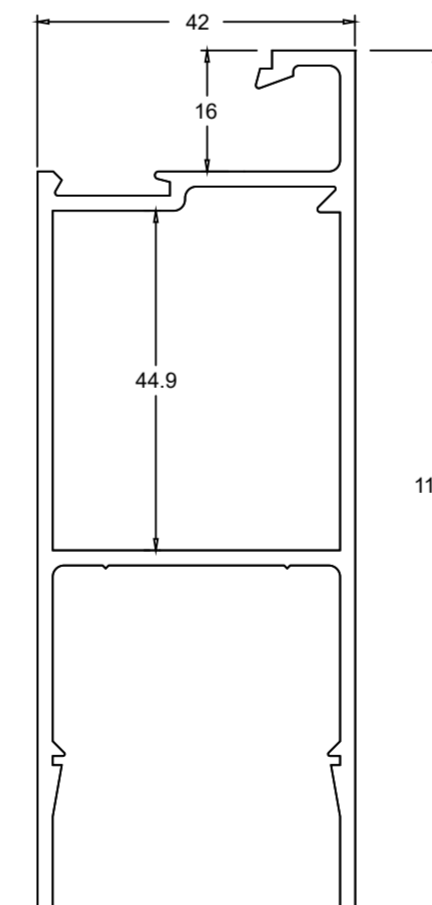
TJ332
DOOR COVER



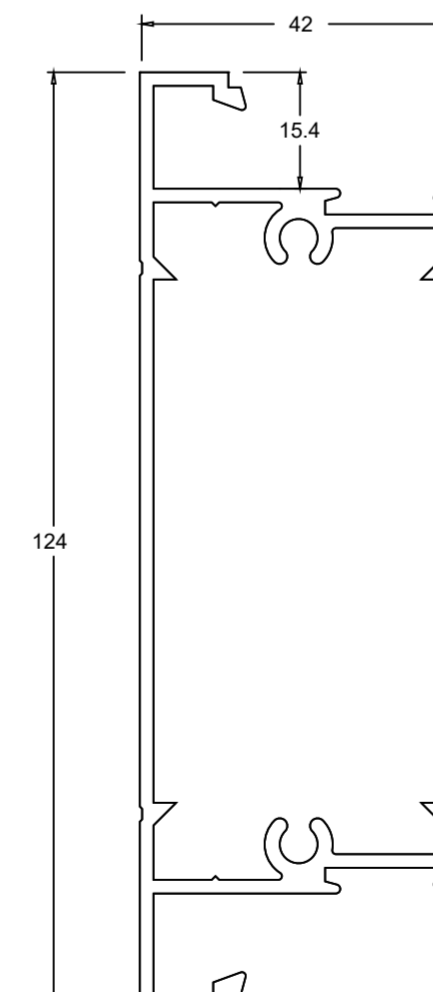
TJ454
UNIVERSAL DOUBLE DOOR COVER



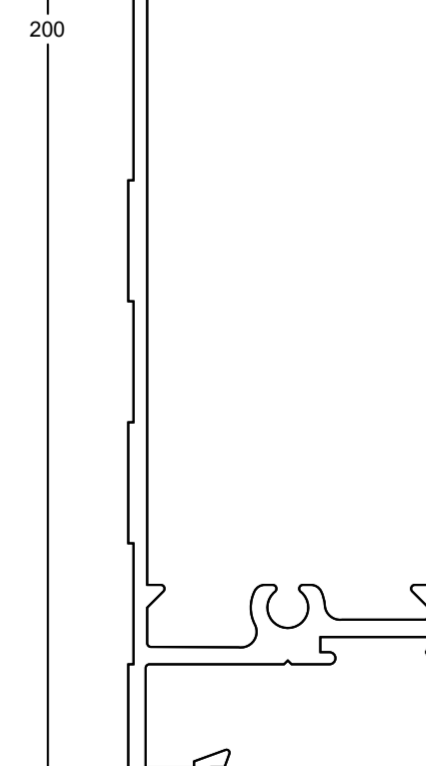
TJ313
DOOR TOP RAIL



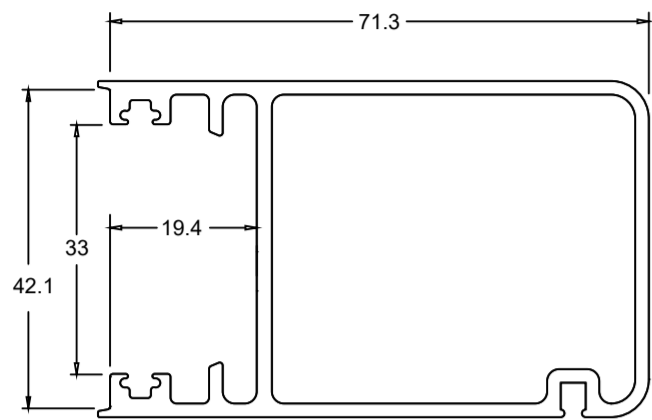
TJ315
DOOR BOTTOM RAIL



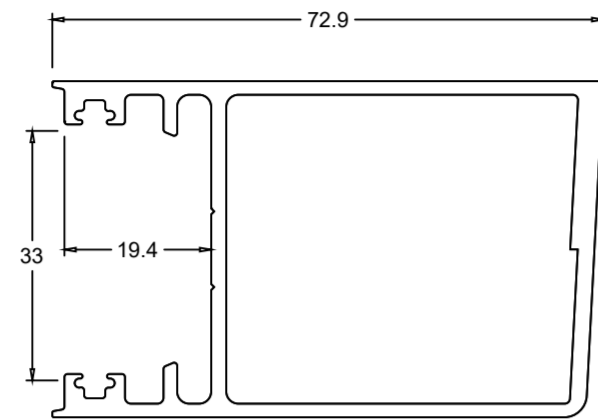
TJ124
MID RAIL



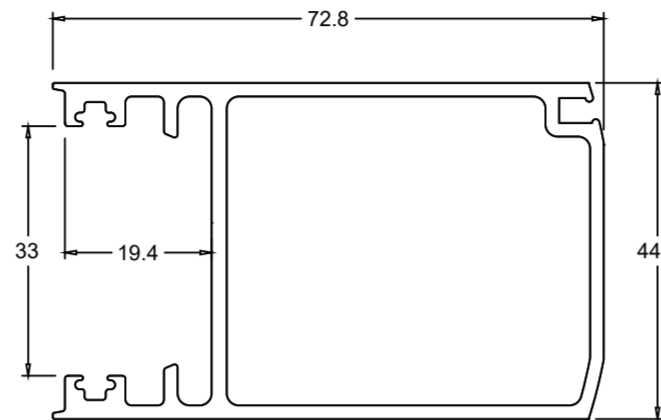
TJ369
MID RAIL



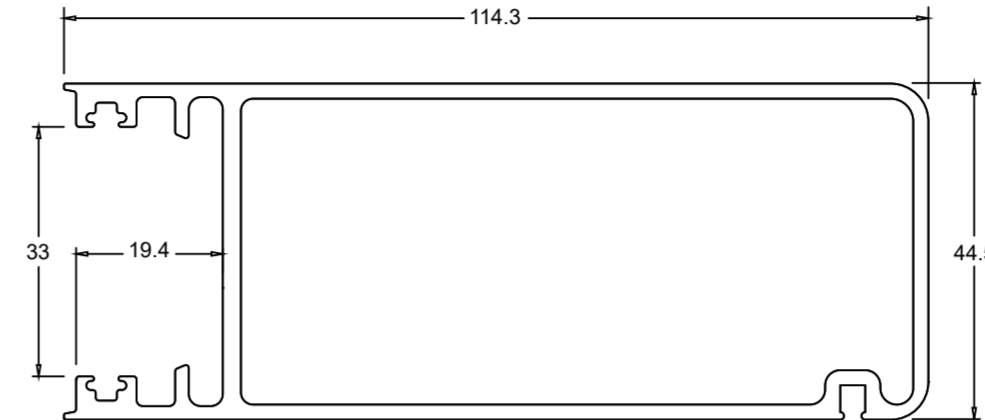
TJ416
SLIDING STILE



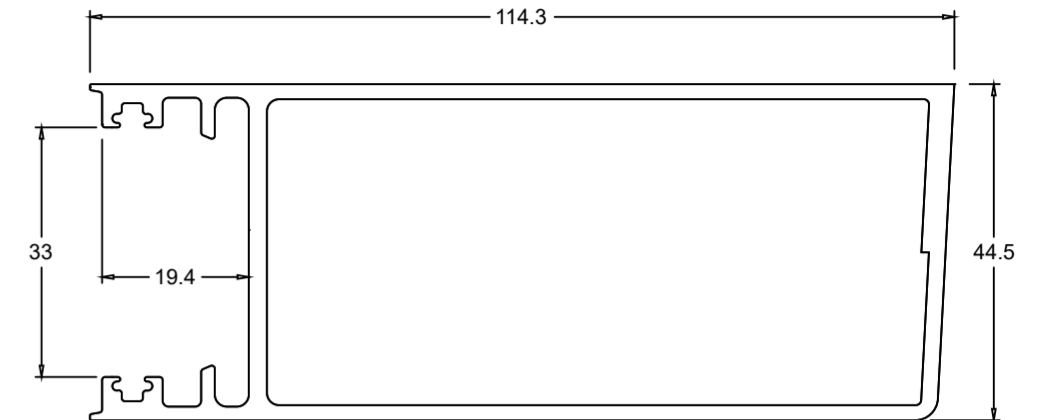
TJ417
HINGE STILE



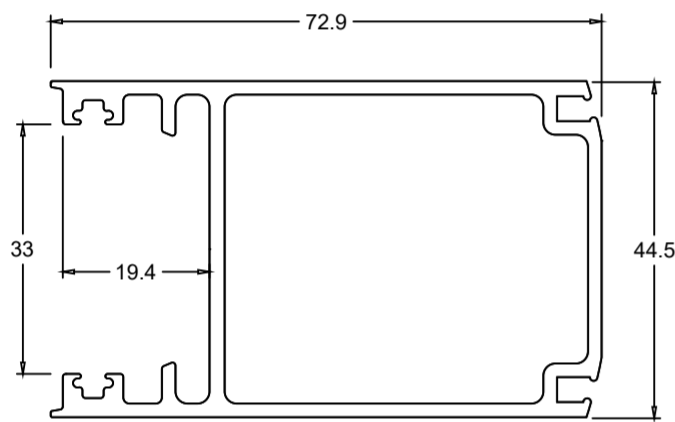
TJ418
LOCK STILE



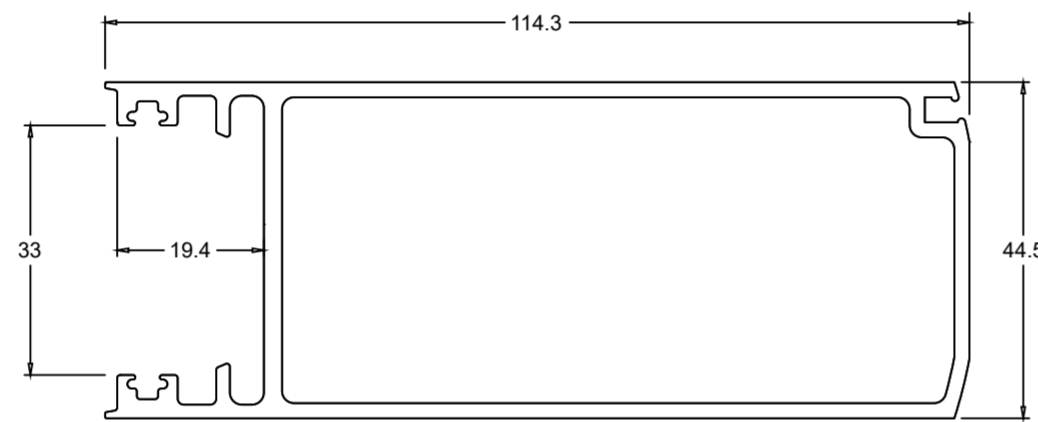
TJ428
SLIDING STILE



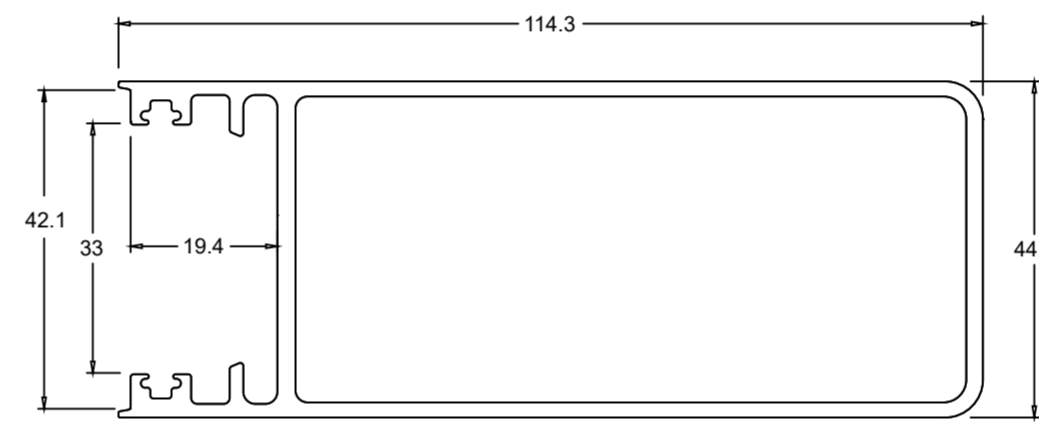
TJ435
HINGE STILE



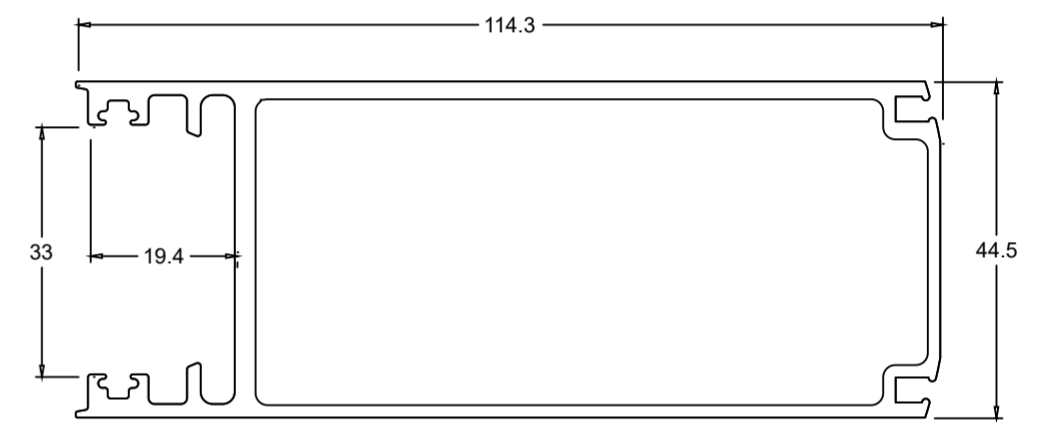
TJ421
PIVOT STILE



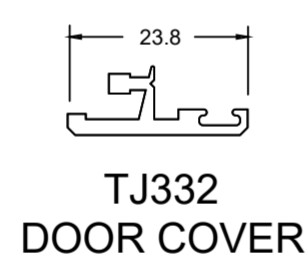
TJ436
LOCK STILE



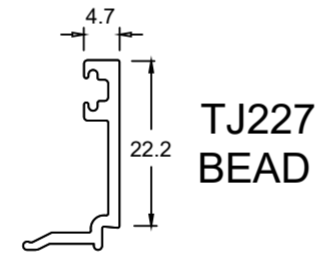
TJ437
PLAIN STILE



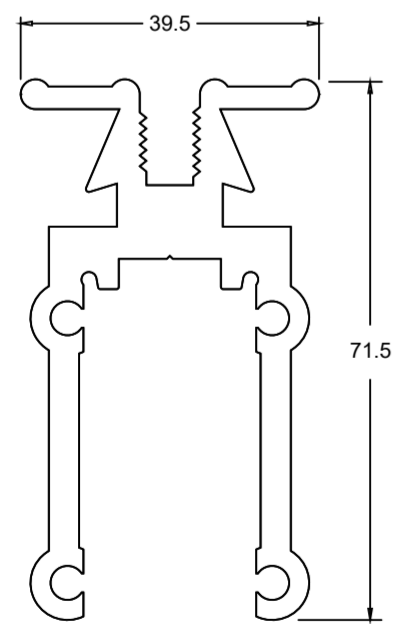
TJ439
PIVOT STILE



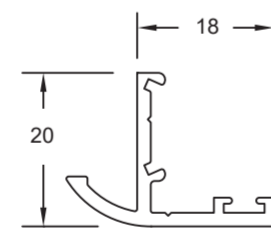
TJ332
DOOR COVER



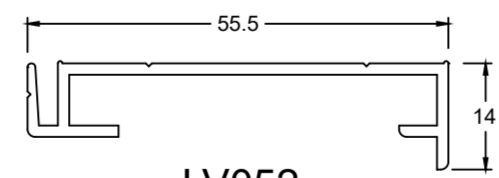
TJ227
BEAD



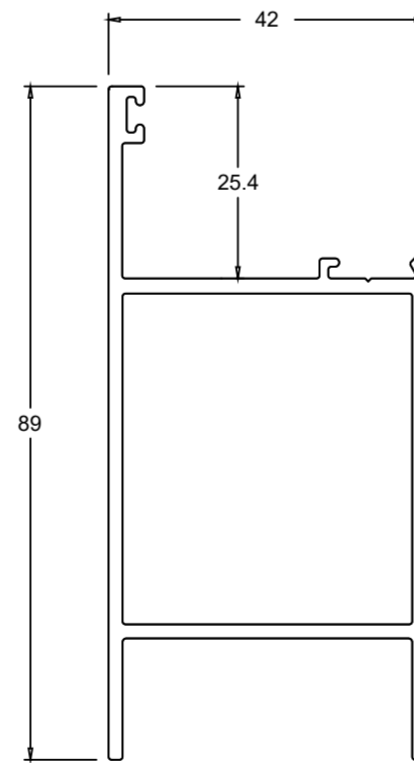
1817
OPEN POCKET SPIGOT



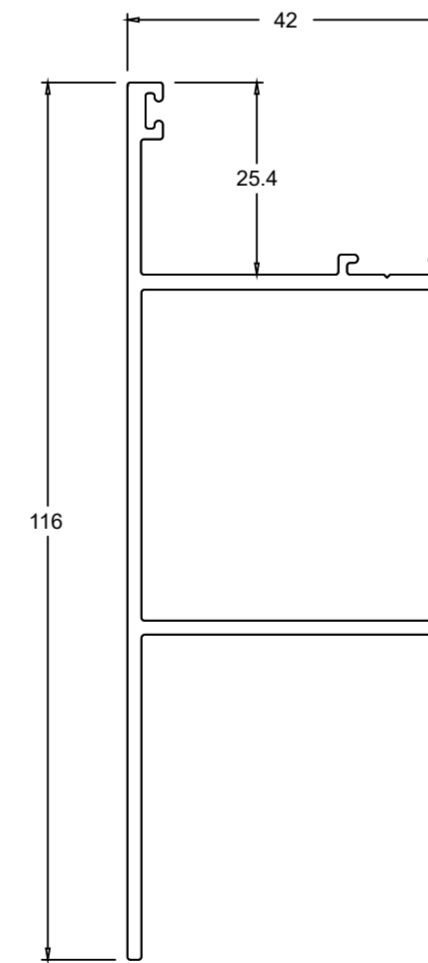
TJ454
UNIVERSAL DOUBLE DOOR COVER



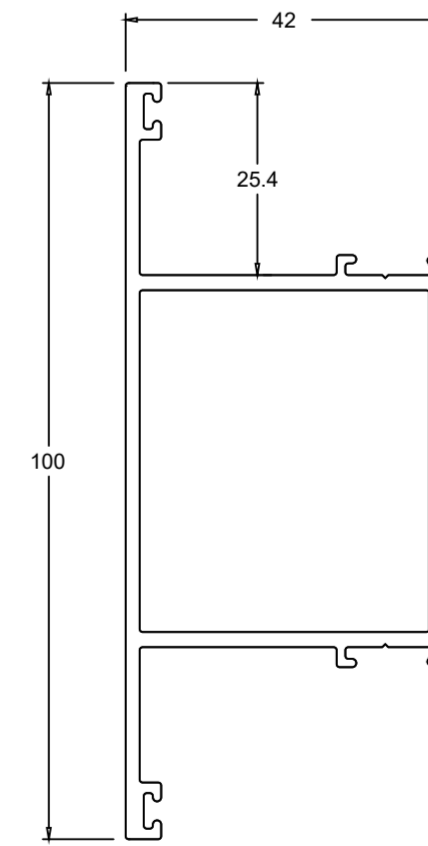
LV052
45 MM DOOR LOUVRE FRAME



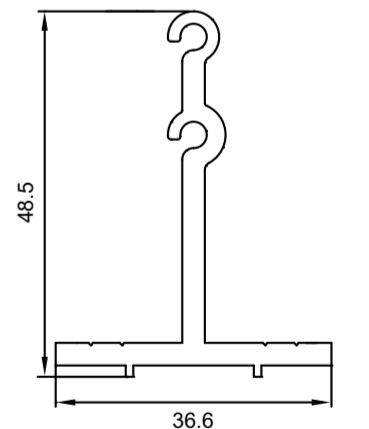
TJ419
TOP RAIL



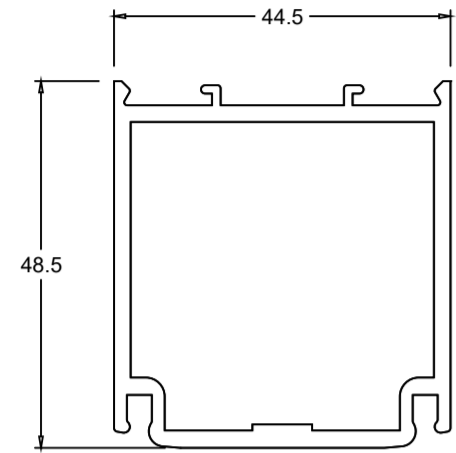
TJ420
BOTTOM RAIL



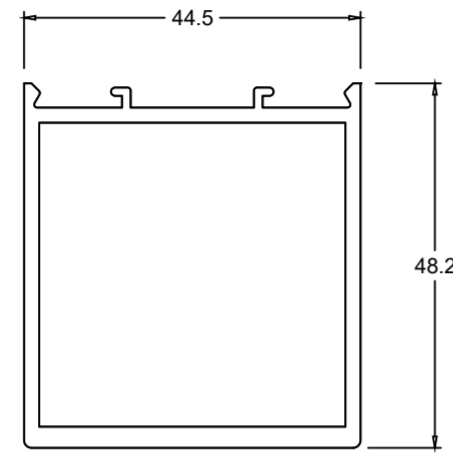
TJ438
100mm MID RAIL



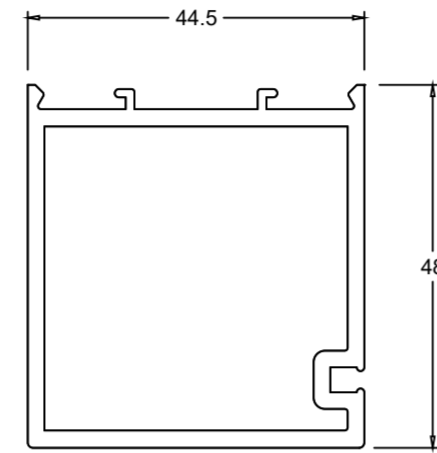
TJ212
MID RAIL BRACKET



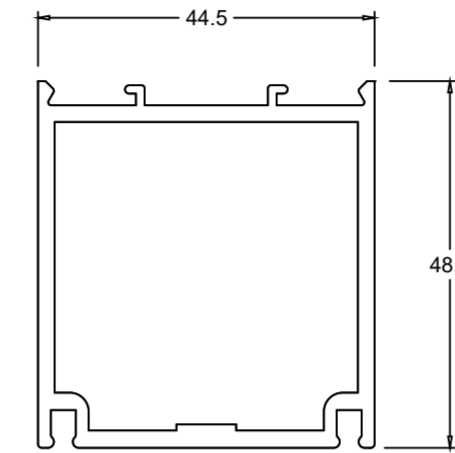
TJ200
PIVOT STILE



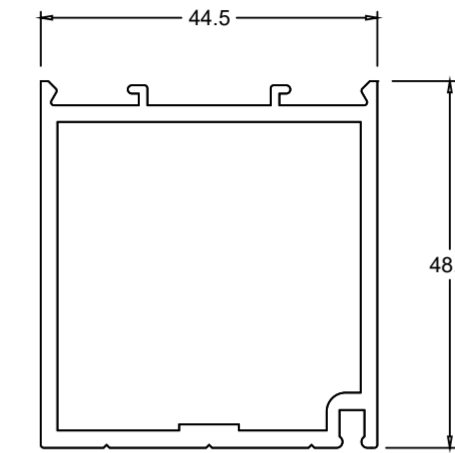
TJ201
HINGE STILE



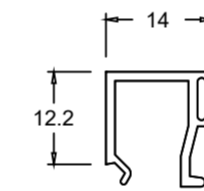
TJ204
SLIDING STILE



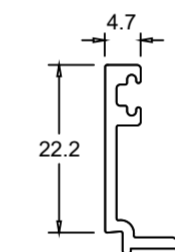
TJ211
MULTIFOLD
DOOR STILE



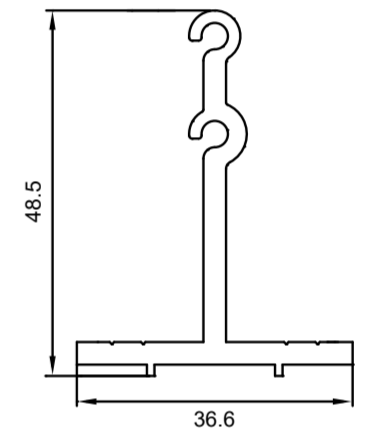
TJ220
MULTIFOLD
DOOR STILE



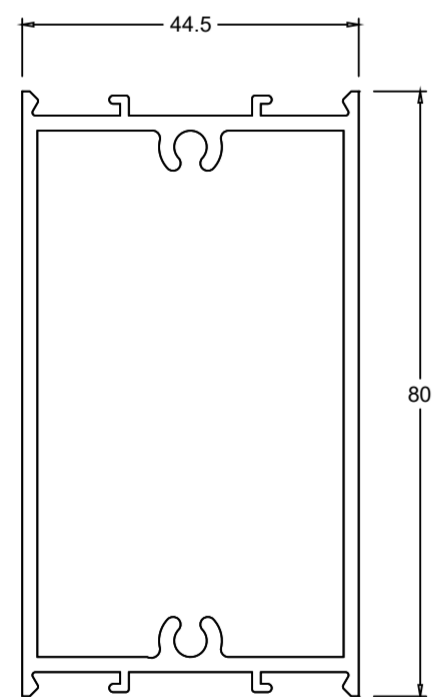
TJ202
DOOR BEAD



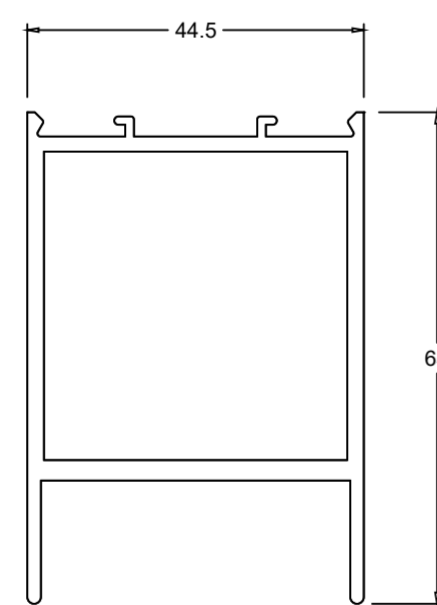
TJ227
DOUBLE GLAZED BEAD



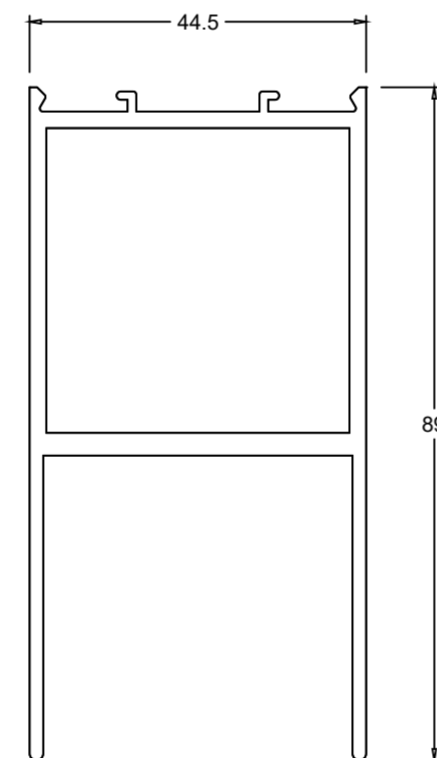
TJ212
MID RAIL BRACKET



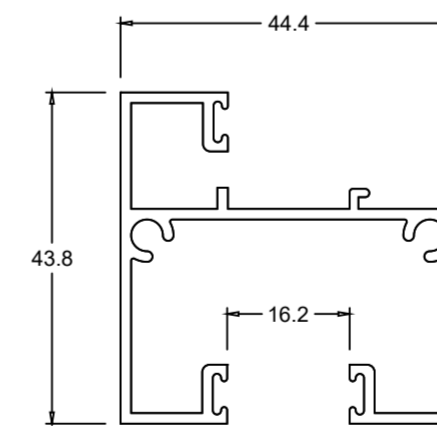
TJ209
MID RAIL



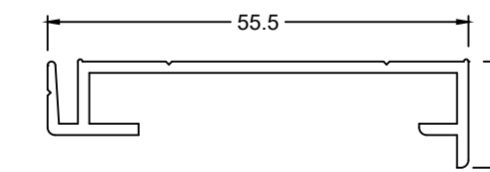
TJ207
TOP RAIL



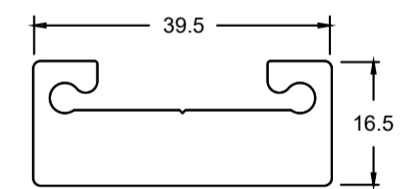
TJ203
BOTTOM RAIL



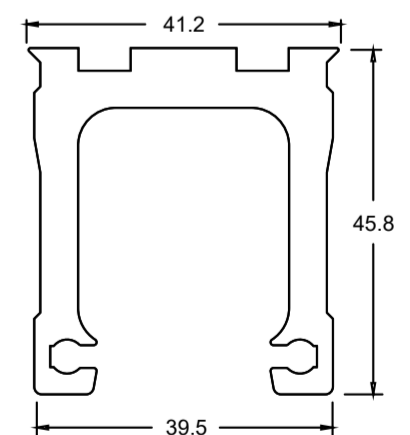
TJ226
MID RAIL



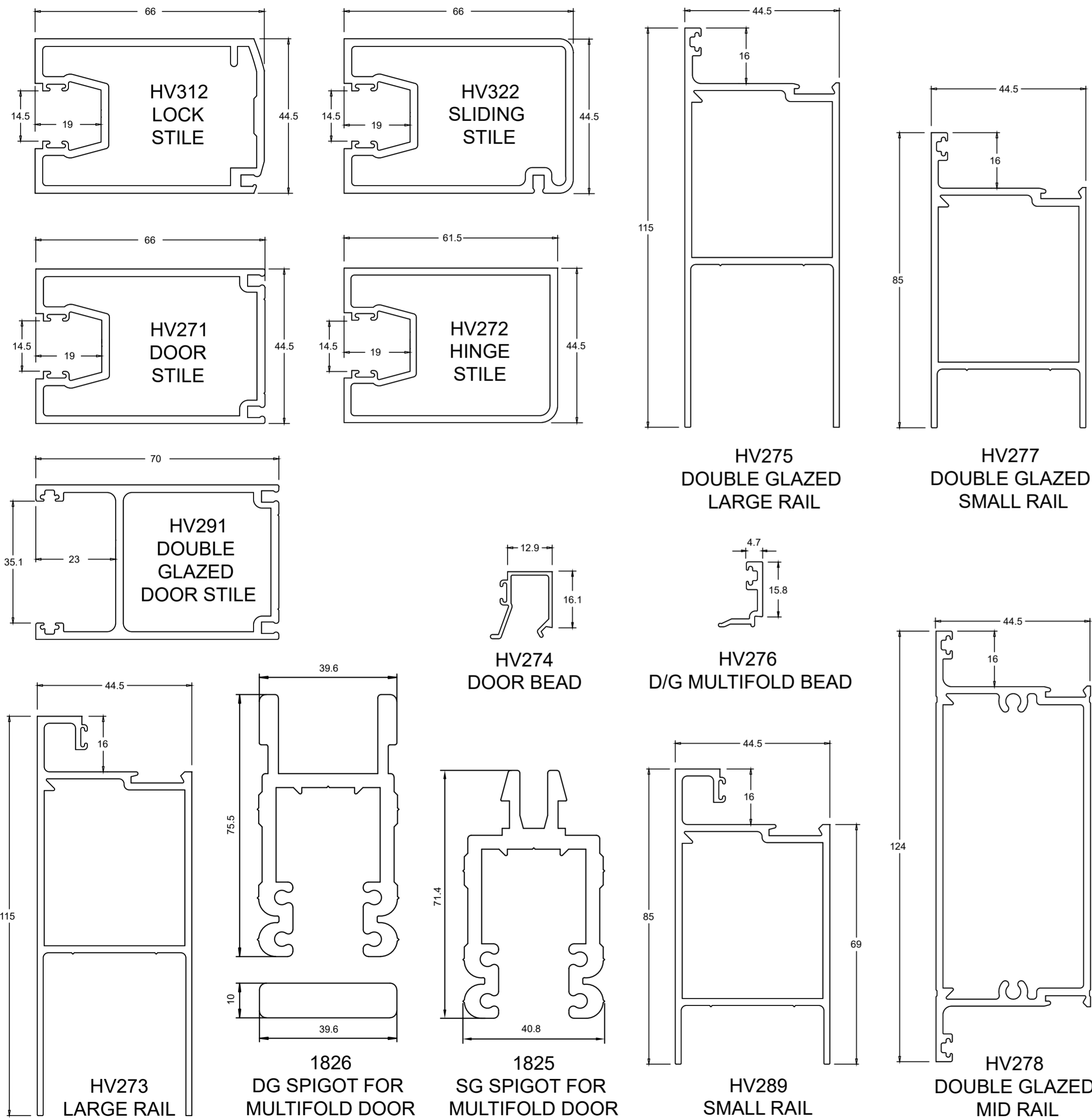
LV052
45 MM DOOR
LOUVRE FRAME



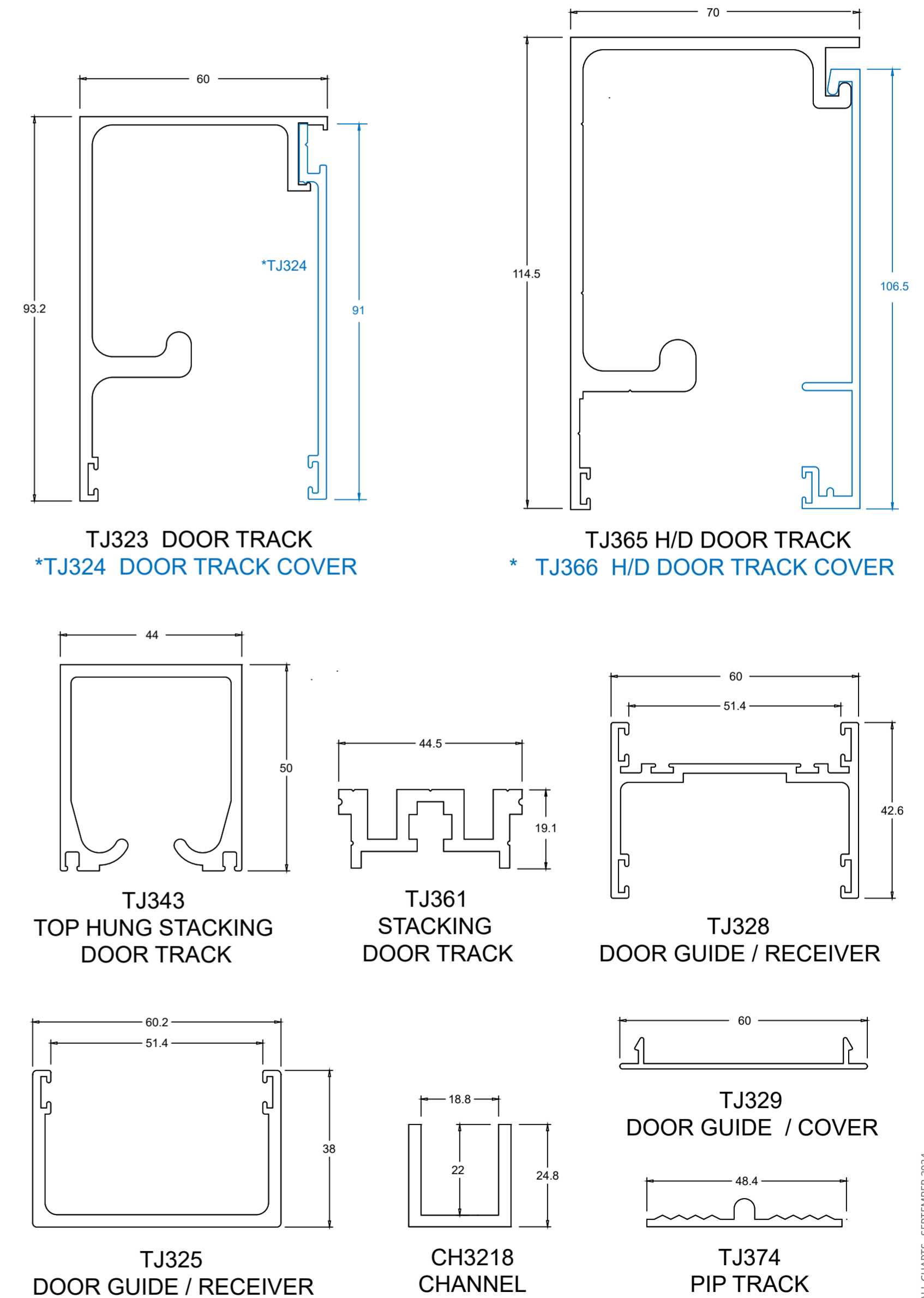
1820
SPIGOT

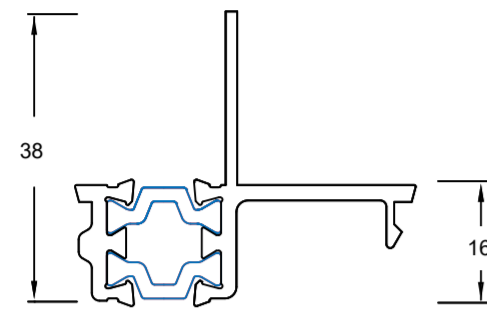


45mm DOOR - FLUSH FACE

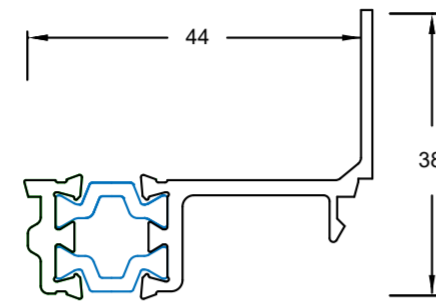


COMMERCIAL DOOR TRACKS

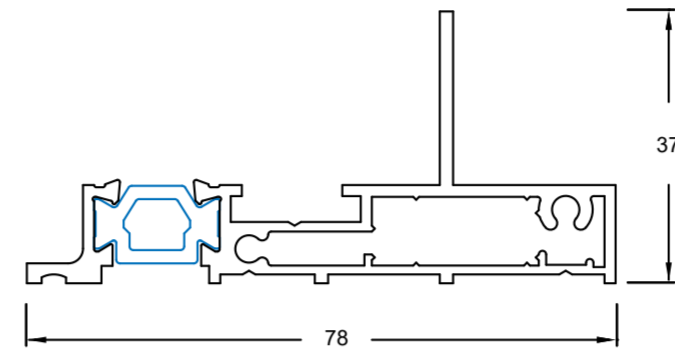




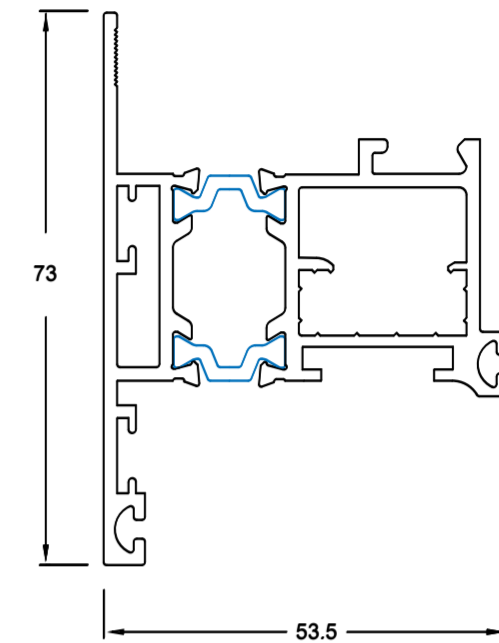
DTB026
AWNING STOP



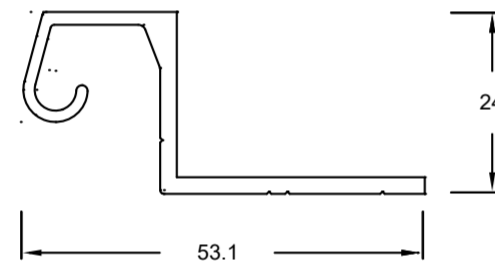
CG703
AWNING STOP



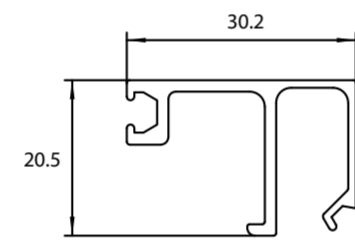
CG701
AWNING/CASEMENT STOP - RECESSED



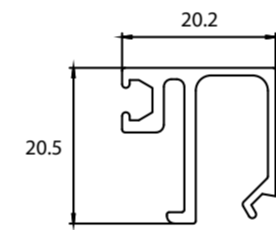
CG702
AWNING/CASEMENT SASH



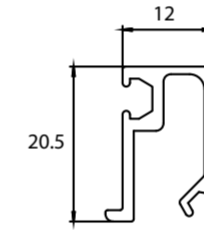
CGM002
50MM PLANT-ON AWNING HOOK



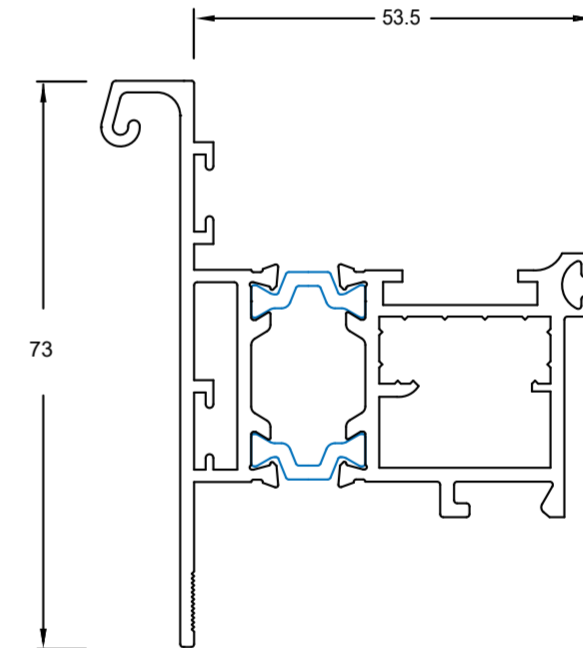
TJ714
6-12MM AWNING BEAD



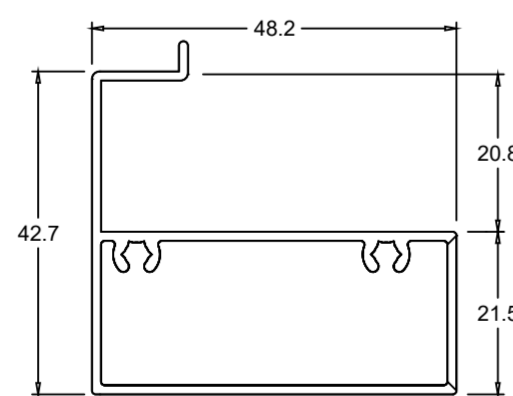
TJ716
16-22MM AWNING BEAD



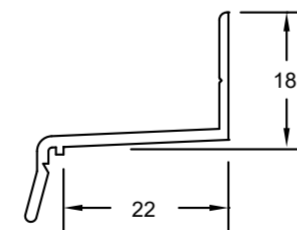
TJ717
24-30MM AWNING BEAD



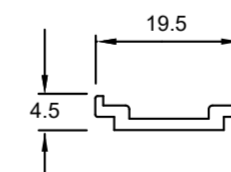
CG704
HOOK AWNING SASH



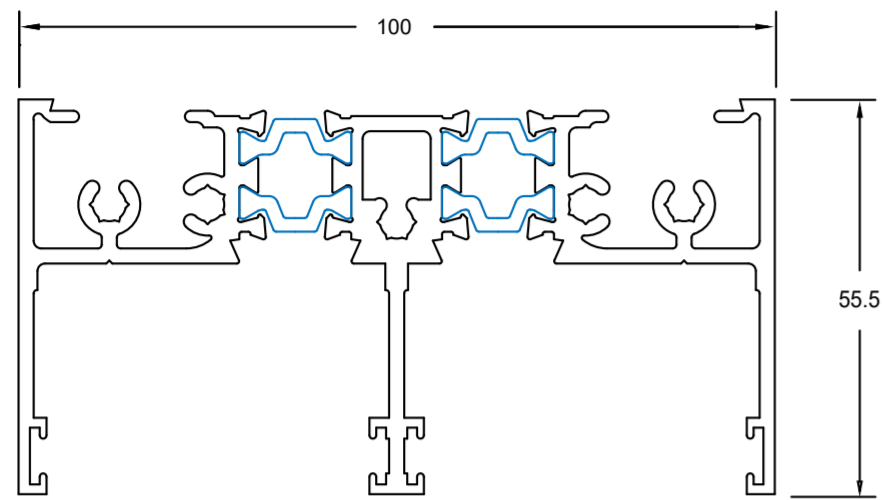
TJ734
CHAIN WINDER SUPPORT



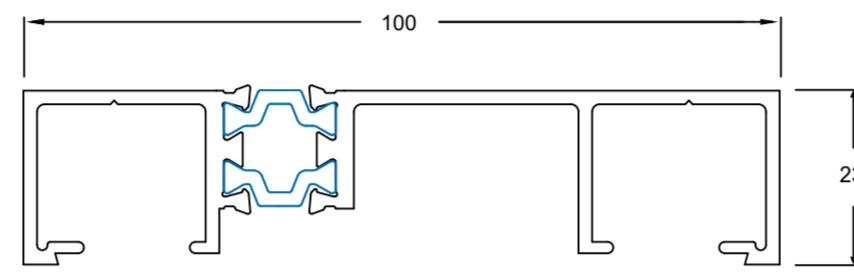
KW069
UNIVERSAL HEAD FLASHING /
DRIP MOULD



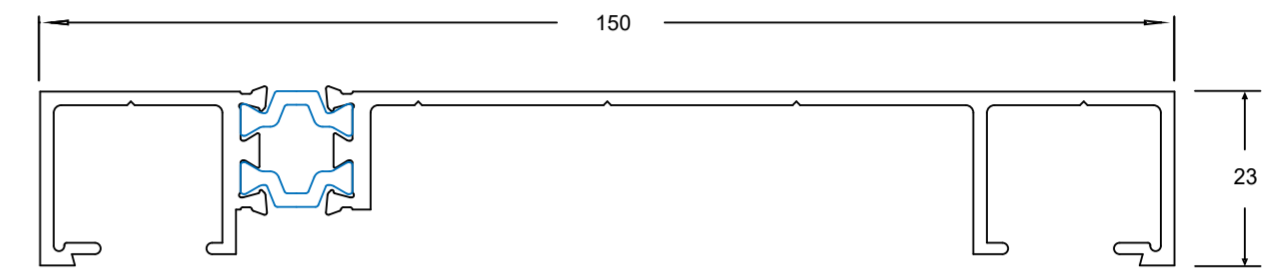
CGM001
CONTROL BAR & STAY PACKER
FOR SASH



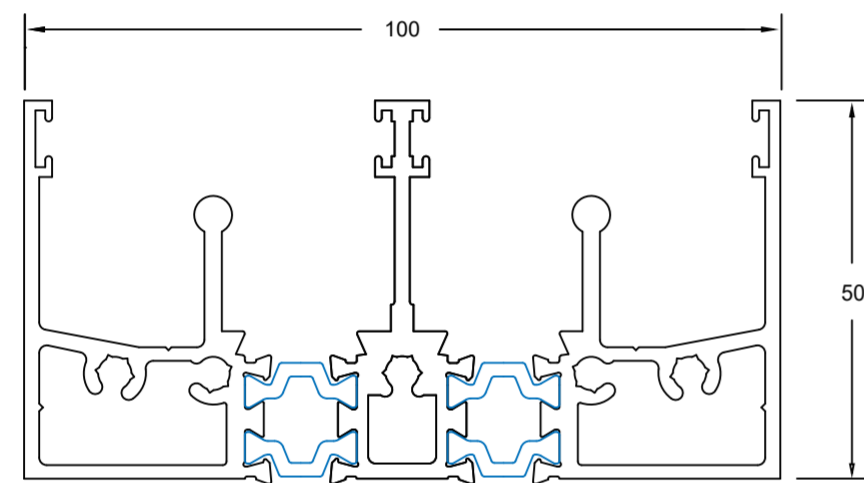
CGSD401
100MM HEAD



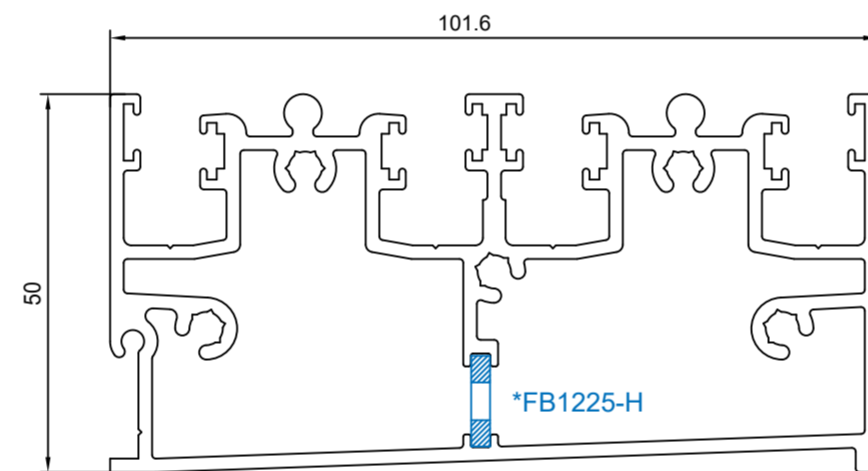
CGSD100
100MM DOOR JAMB



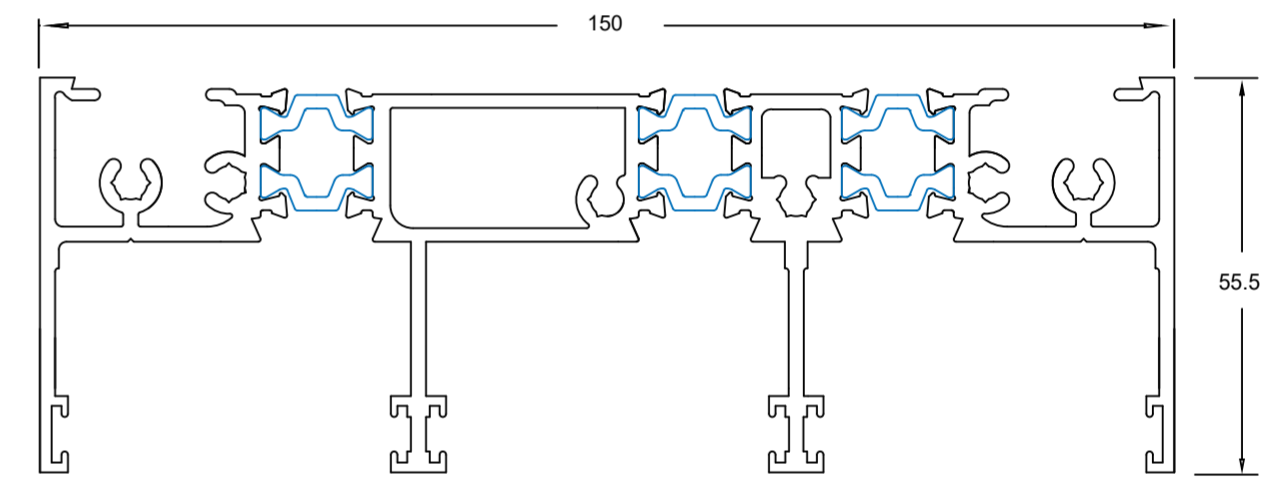
CGSD150
150MM DOOR JAMB



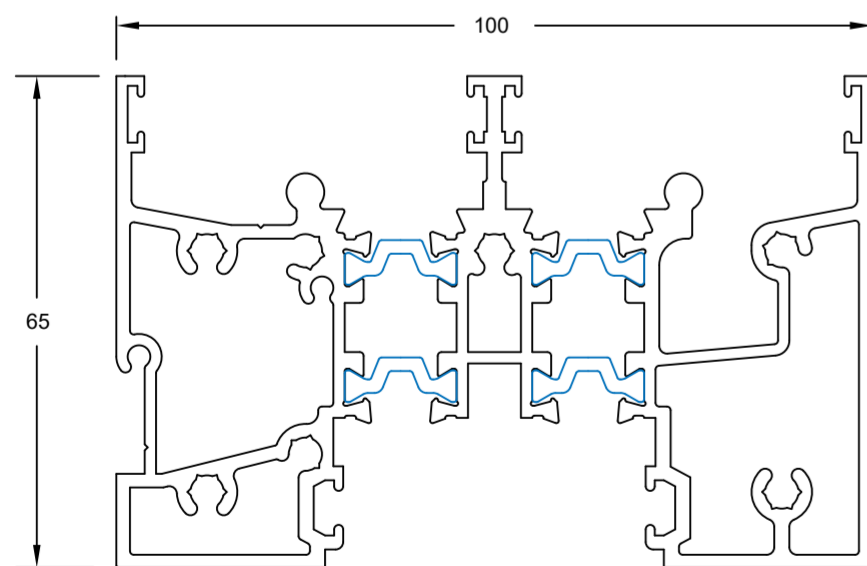
CGSD402
100MM SILL



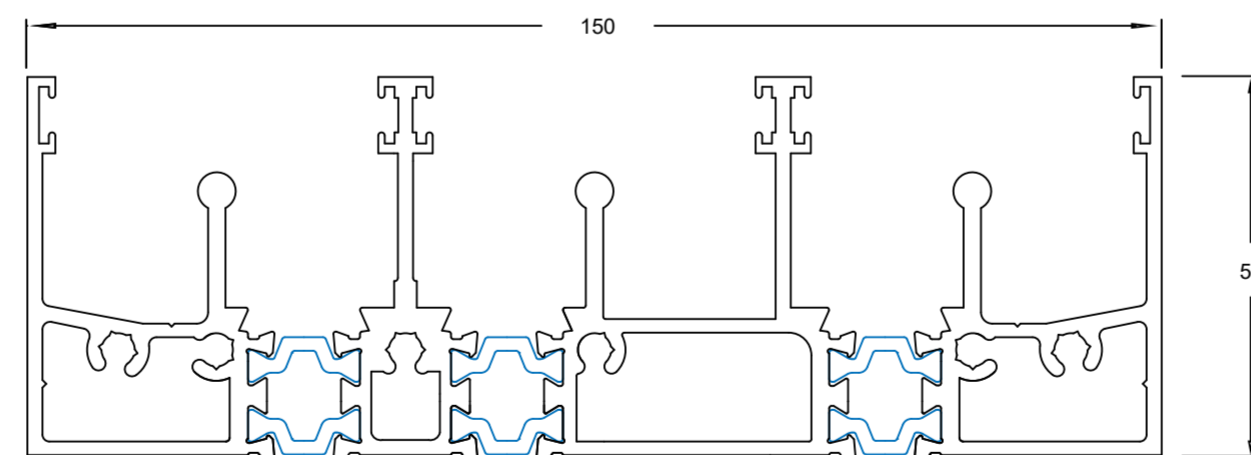
SD408
100MM FLUSH SILL



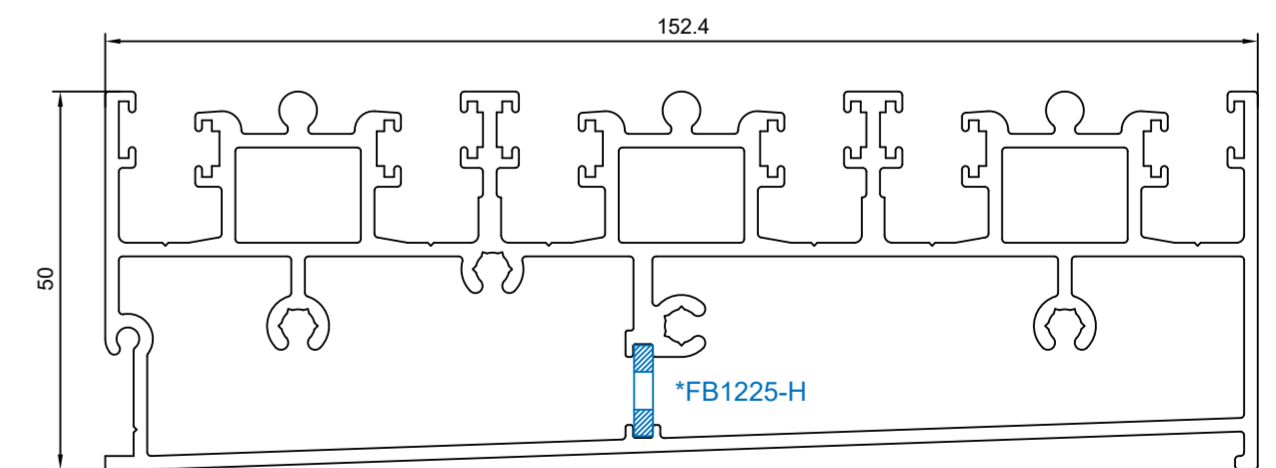
CGSD601
150MM HEAD



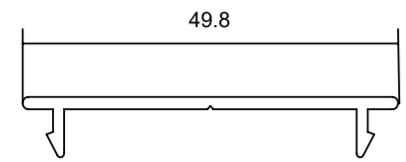
CGSD403
100MM SELF-DRAINING TRANSOM SILL



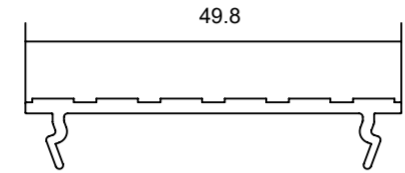
CGSD605
150MM SILL



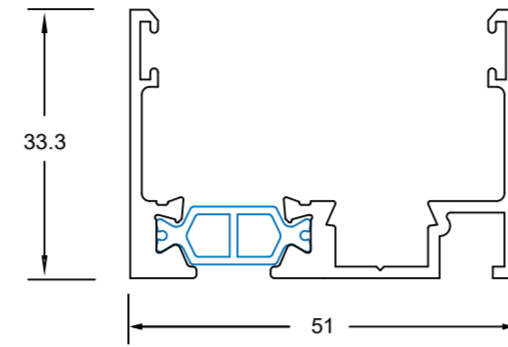
SD608
150MM FLUSH SILL



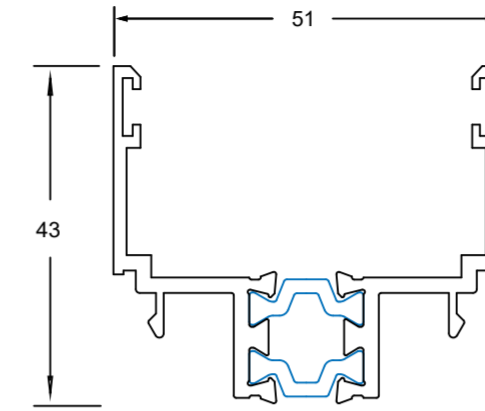
SD128
HEAD/JAMB FILLER



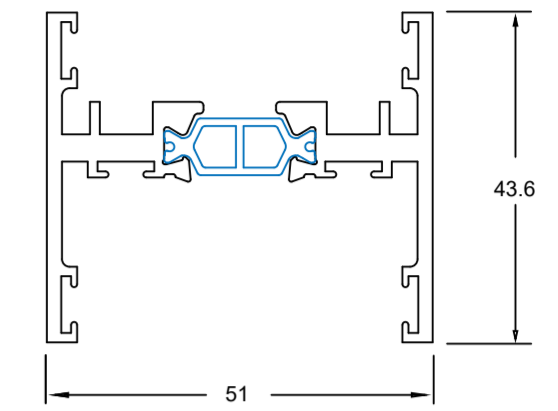
SD603
THRESHOLD FILLER



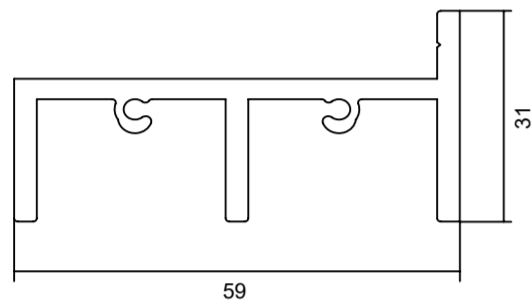
CGSD111
JAMB RECEIVER CHANNEL



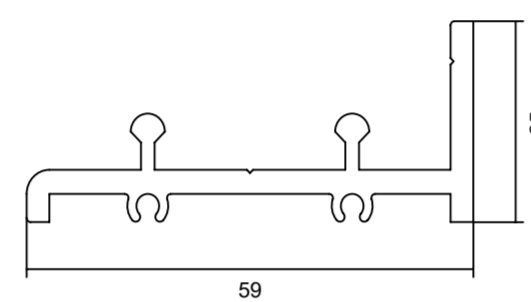
CGSD113
CLIP-IN JAMB RECEIVER CHANNEL



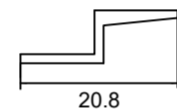
CGSD109
MEETING RECEIVER CHANNEL



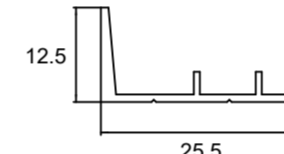
SD621
DOUBLE FLY DOOR HEAD



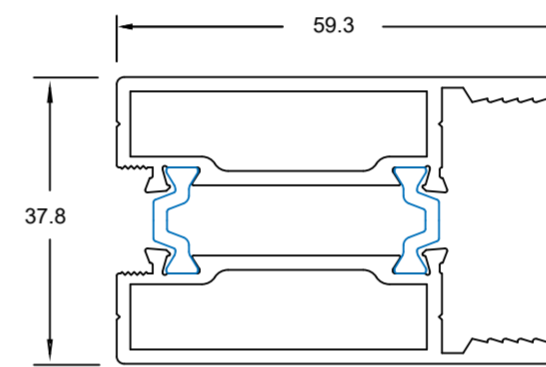
SD622
DOUBLE FLY DOOR SILL



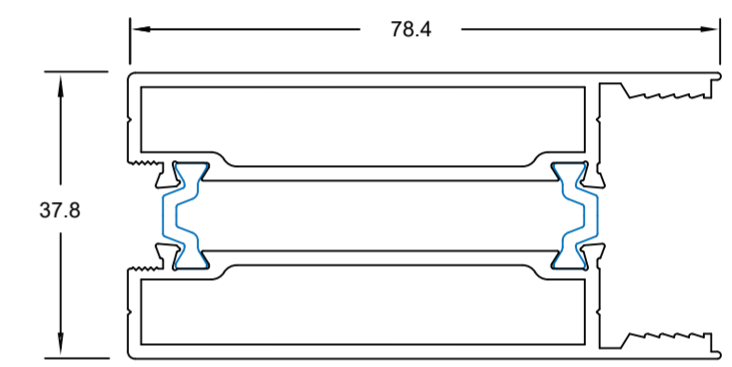
DI3224
7MM OFFSET
INTERLOCK



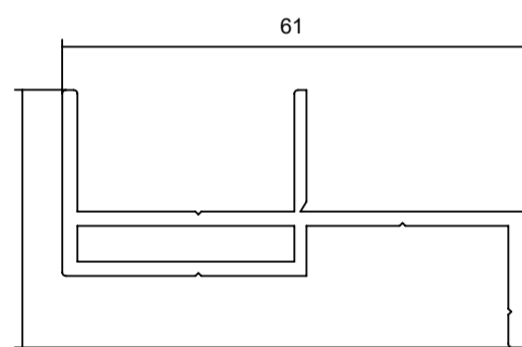
DI3225
FRAME
INTERLOCK



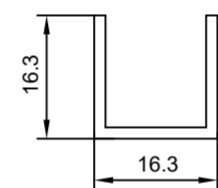
CGSD123
SLIM STILE



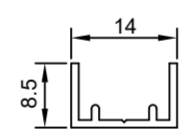
CGSD124
STANDARD DOOR STILE



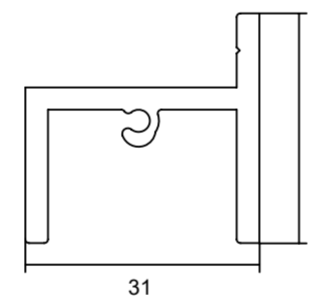
SD625
DOUBLE FLY DOOR JAMB



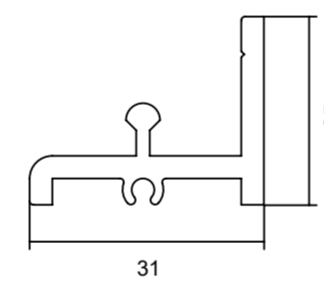
DT3355
FLYSCREEN JAMB
WINDOW CHANNEL



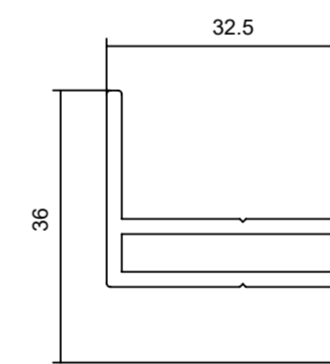
DT3553
FLYSCREEN INTERLOCK
WINDOW CHANNEL



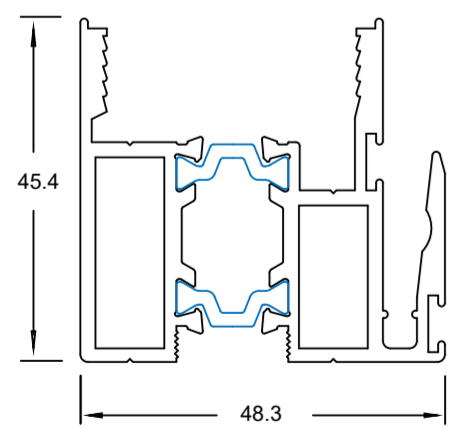
SD421
SINGLE FLY
DOOR HEAD



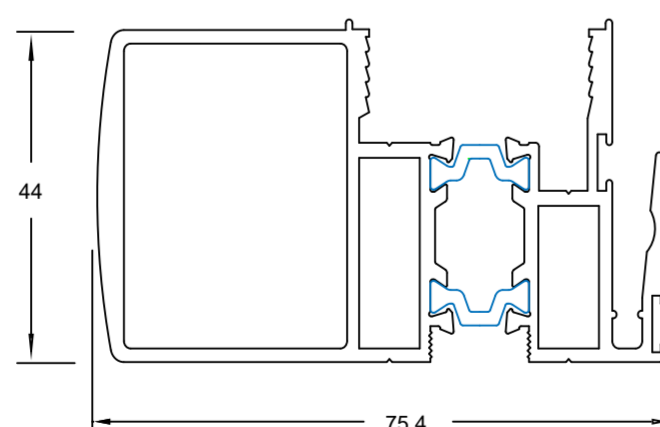
SD422
SINGLE FLY
DOOR SILL



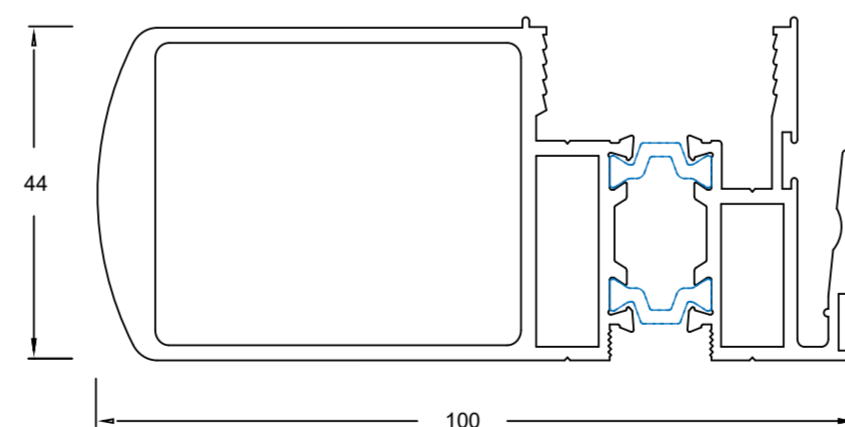
SD425
SINGLE FLY
DOOR JAMB



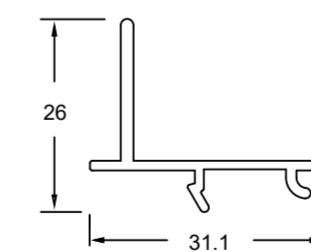
CGSD125
STANDARD INTERLOCK



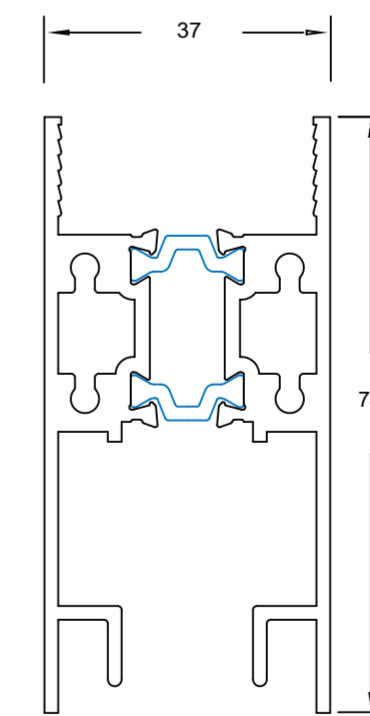
CGSD151
MEDIUM BOX INTERLOCK



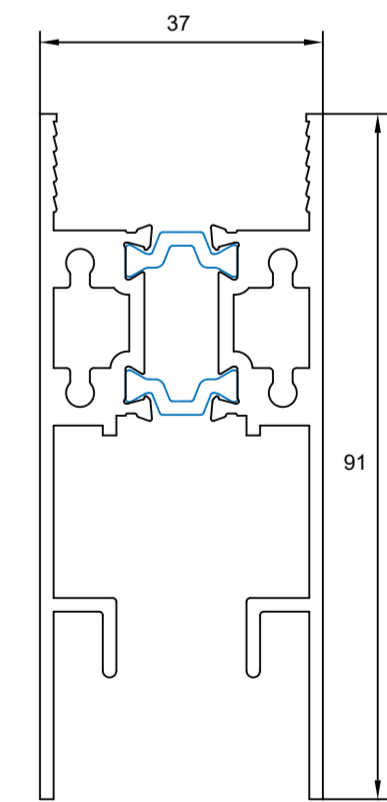
CGSD152
HEAVY-DUTY BOX INTERLOCK



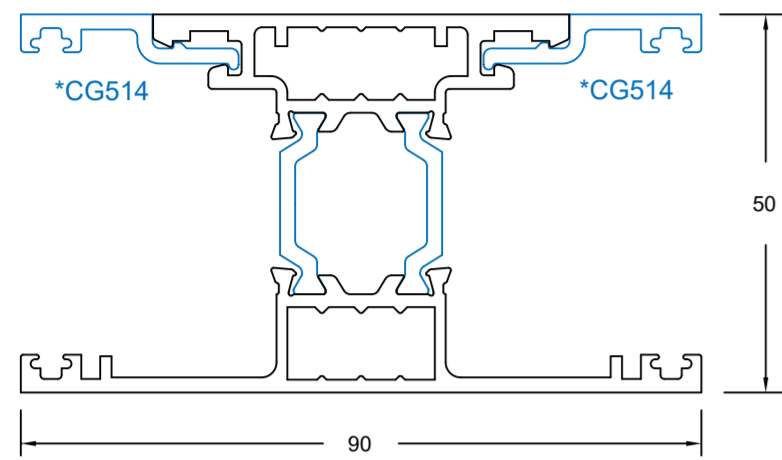
CGSD342
REVEAL ADAPTOR



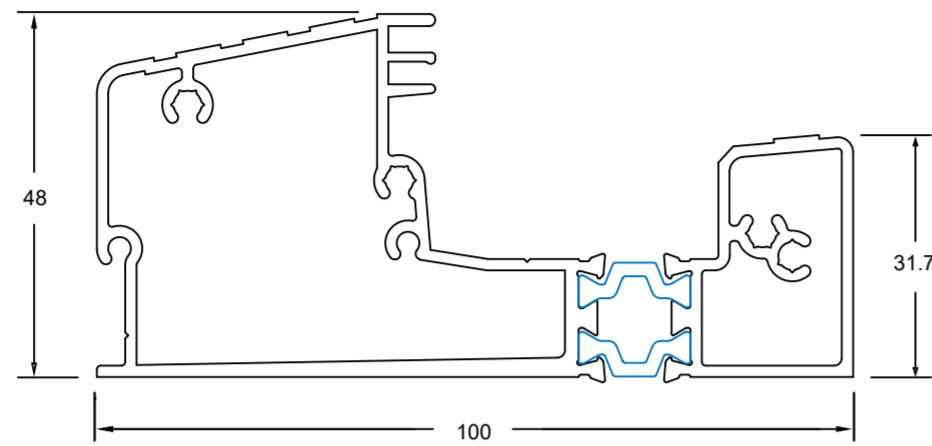
CGSD127
RAIL



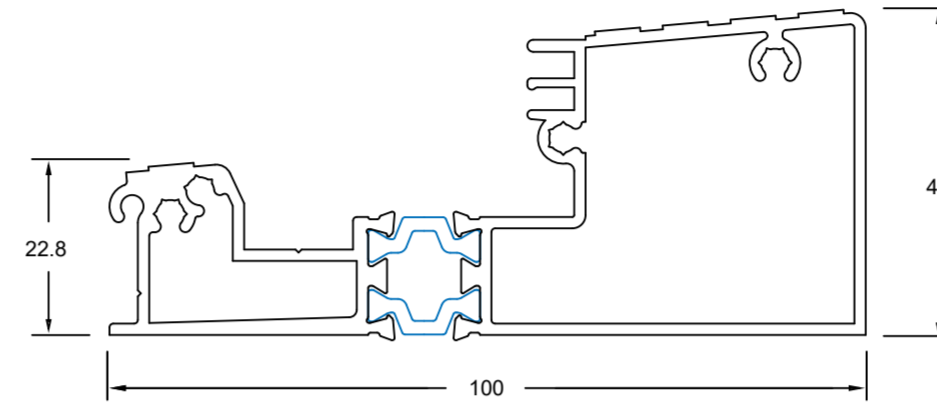
CGSD169
TALL RAIL



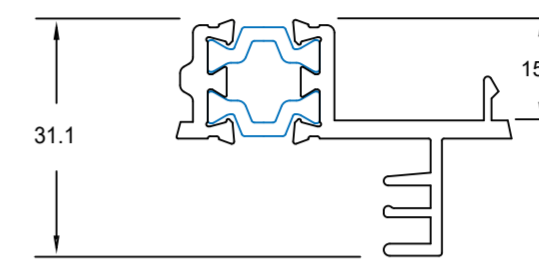
CG090 MIDRAIL
*CG514 RAIL BEAD



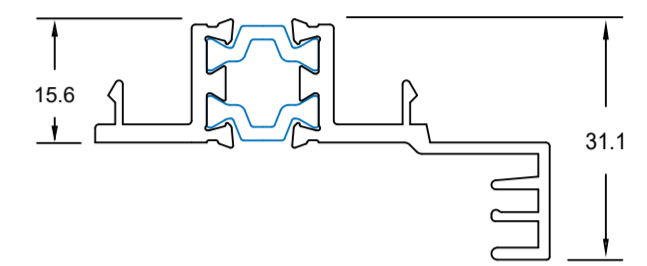
CG548
HINGE DOOR INWARD SILL



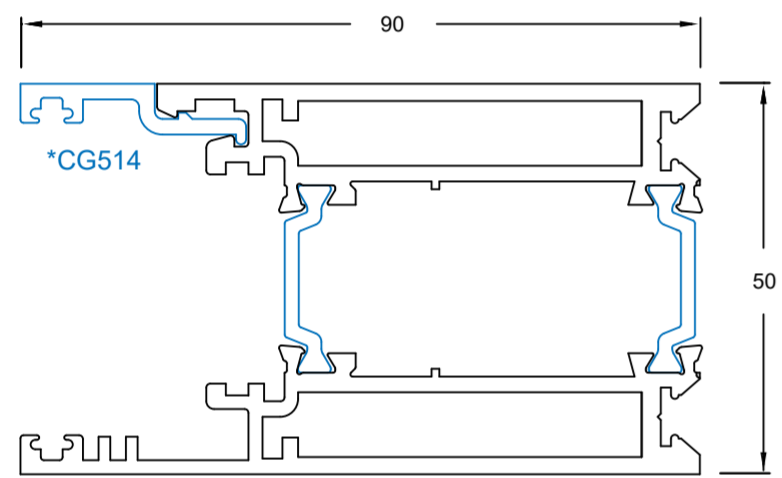
CG549
HINGE DOOR OUTWARD SILL



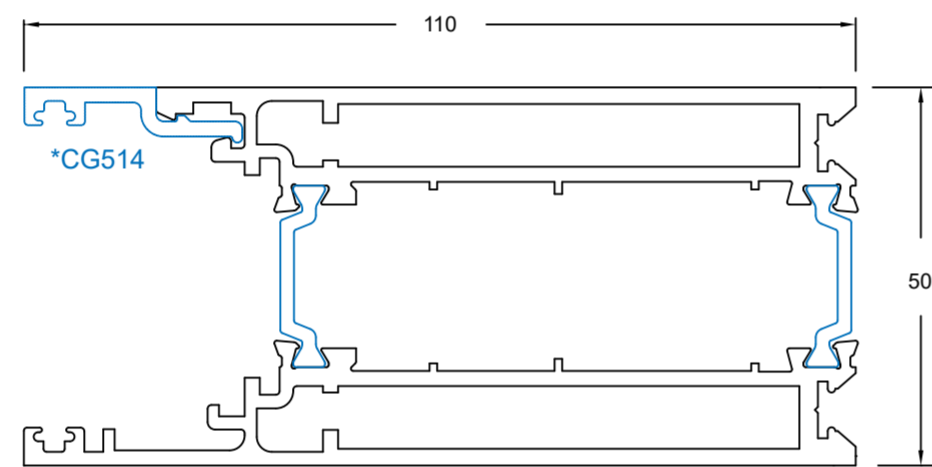
CGDG531
100MM HINGED DOOR
CENTRE CLIP-IN STOP



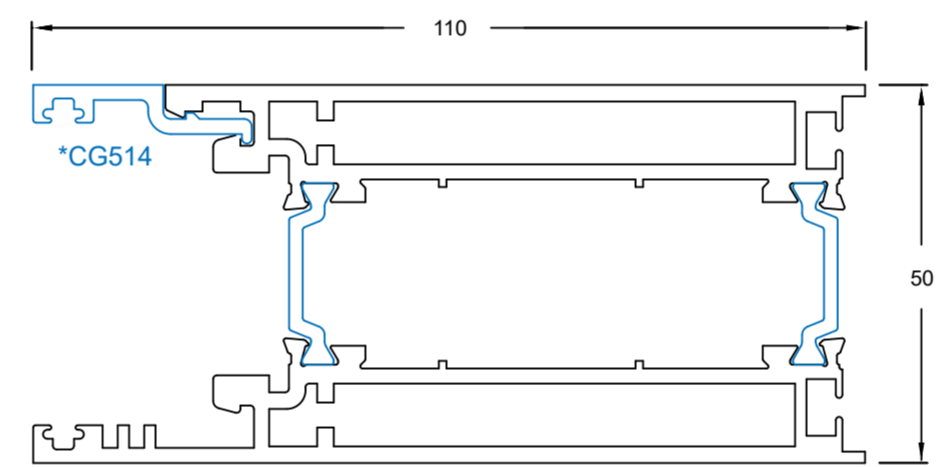
CGFG331
100MM HINGED DOOR
FRONT CLIP-IN STOP



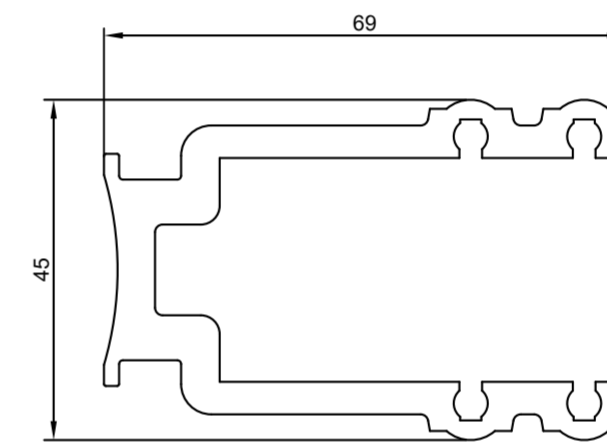
CGBF513 SMALL RAIL - FLUSH
*CG514 RAIL BEAD



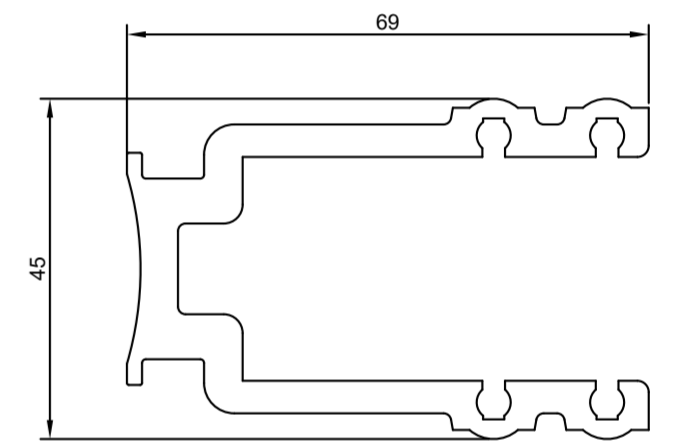
CGBF543 LARGE RAIL - FLUSH
*CG514 RAIL BEAD



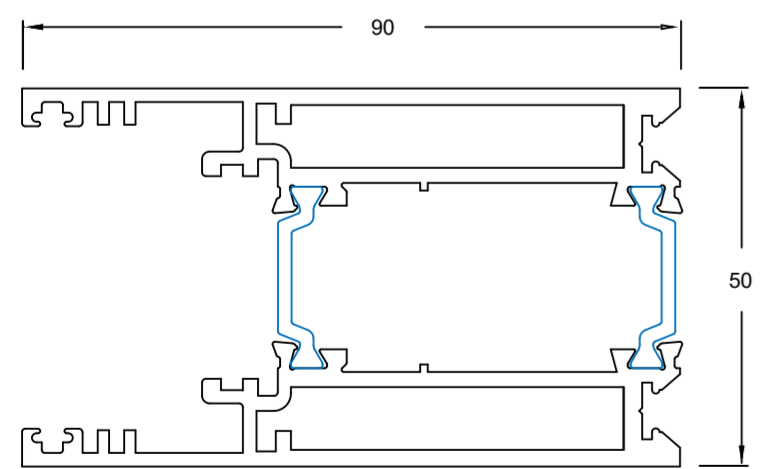
CG513 LARGE RAIL - WITH PIPS
*CG514 RAIL BEAD



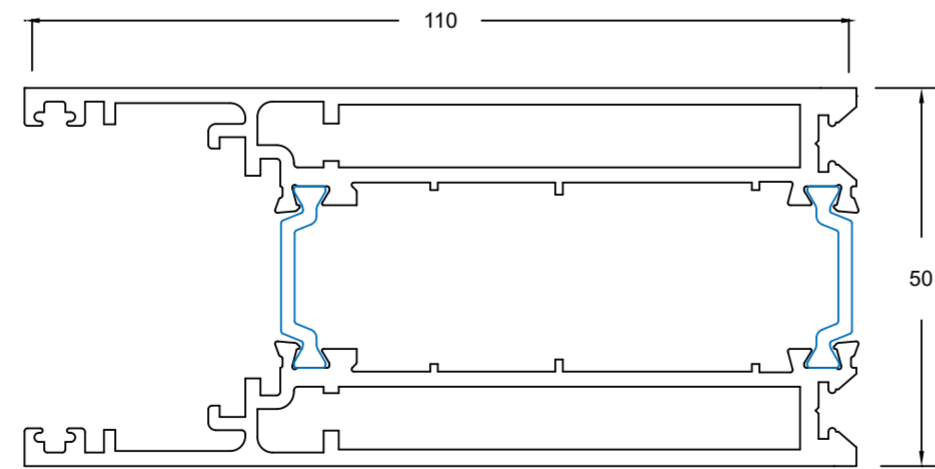
5000 SPIGOT
FOR SMALL RAILS



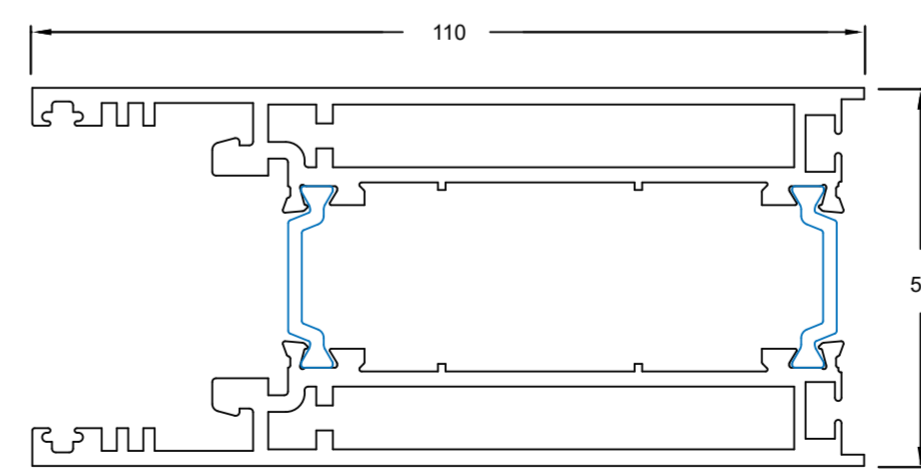
5001 SPIGOT
FOR LARGE RAILS



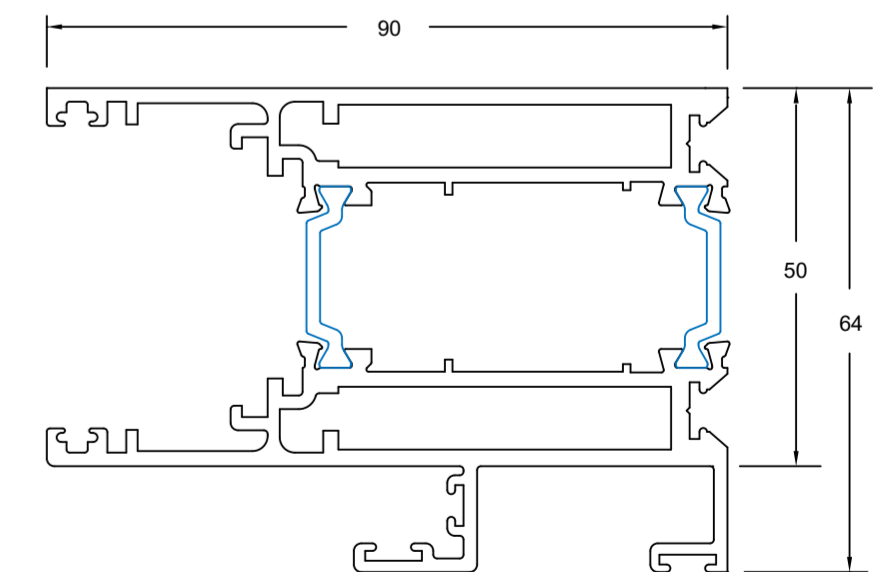
CGBF515
SMALL STILE - FLUSH



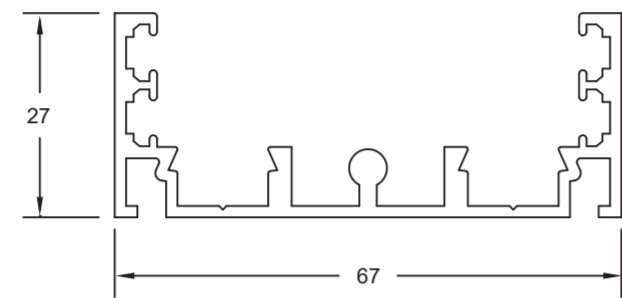
CGBF545
LARGE STILE - FLUSH



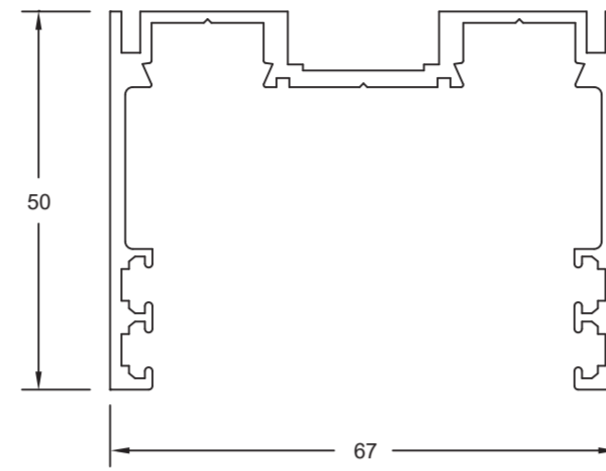
CG515
LARGE LOCK STILE - WITH PIPS



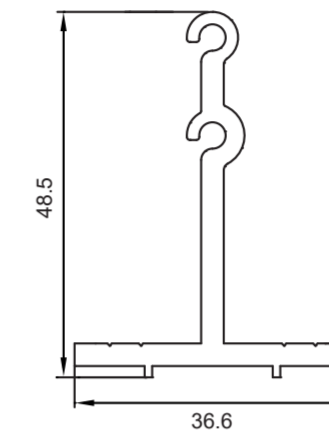
CGBF516
SLIDING INTERLOCK - FLUSH



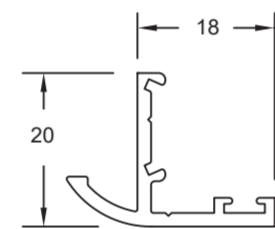
CGM011
50MM SLIDING SILL



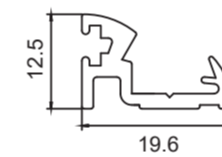
CGM012
50MM SLIDING JAMB/HEAD



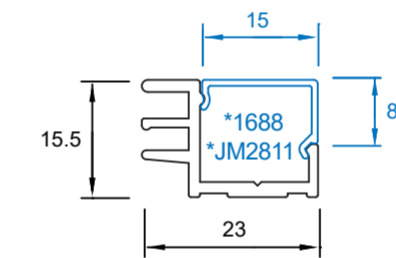
TJ212
MID RAIL BRACKET



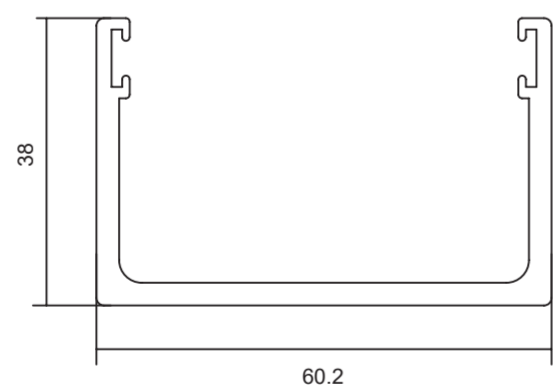
TJ454
UNIVERSAL DOUBLE
DOOR COVER



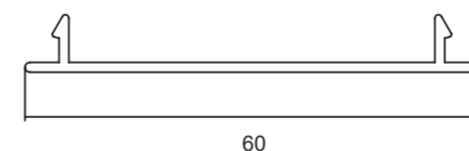
TJ773
PLANT ON DOOR STOP



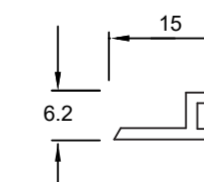
CGM809 PLANT ON DOOR STOP
*1688 PVC COVER
*JM2811 COVER



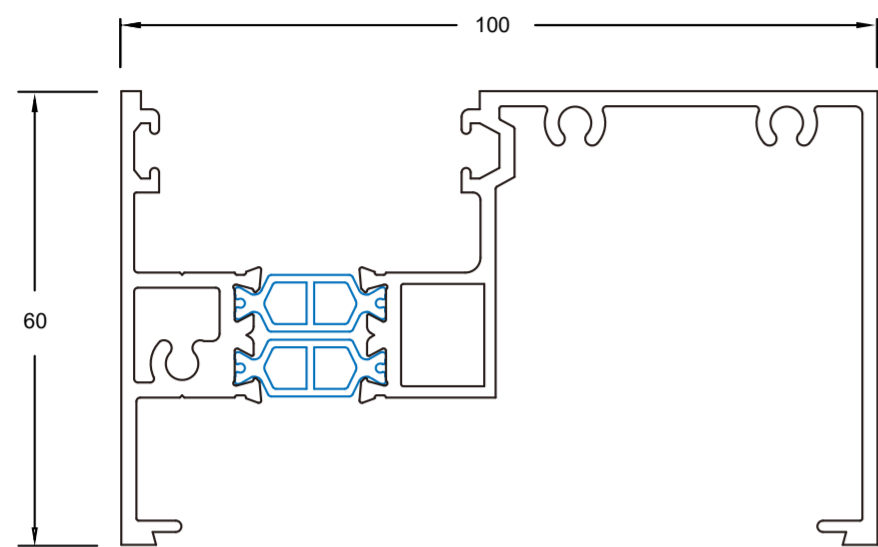
TJ325
PLANT ON INTERLOCK BOX



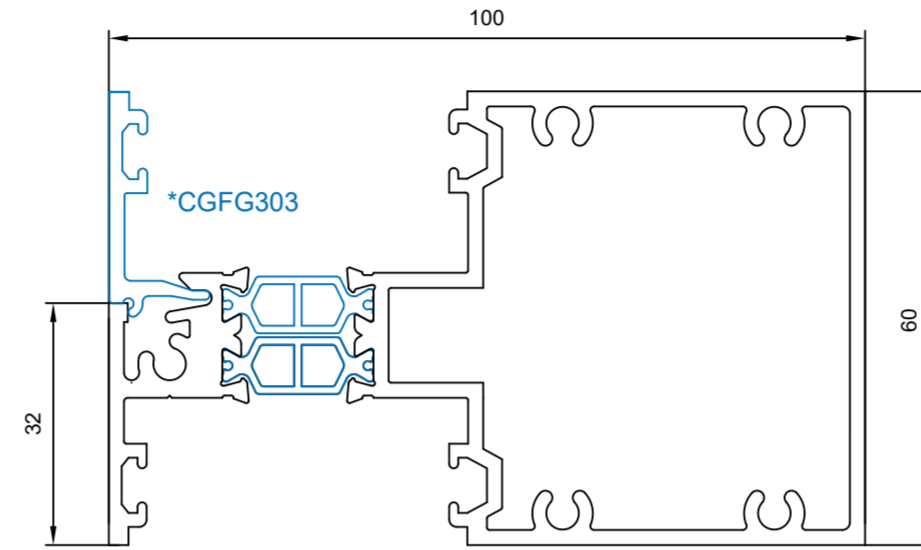
TJ329
PLANT ON INTERLOCK BASE



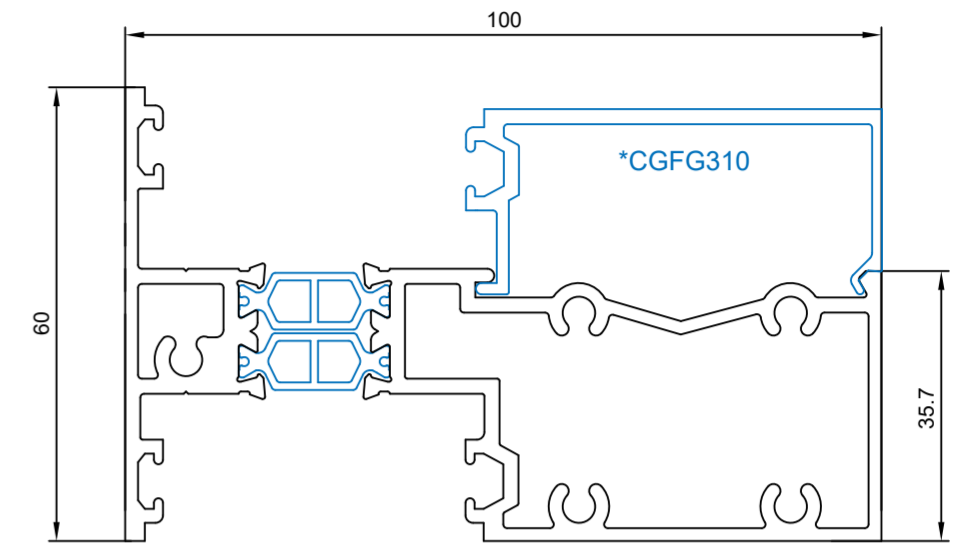
DB3222
BUG STRIP 16MM



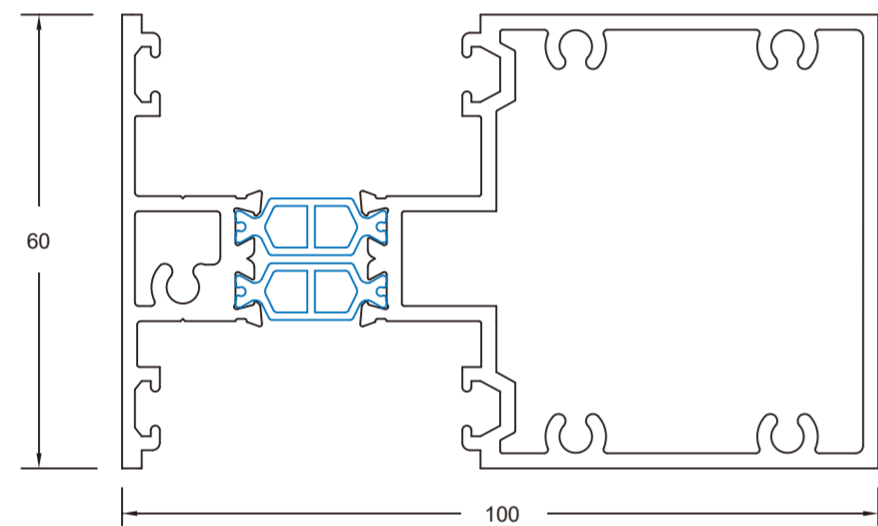
CGFG301
100MM FRONT FRAME



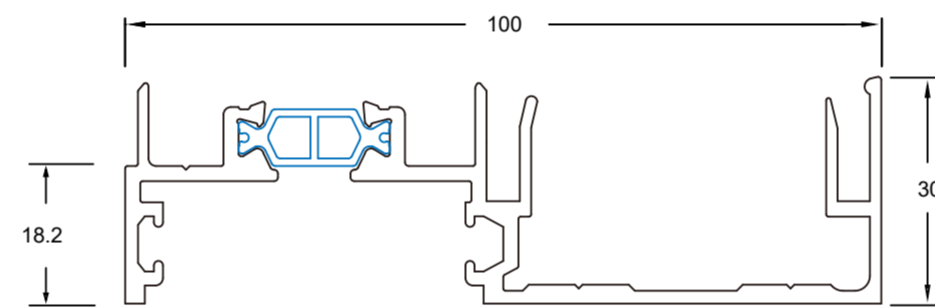
CGFG302 100MM FRONT TRANSOM/SILL
*CGFG303 100MM FRONT BEAD



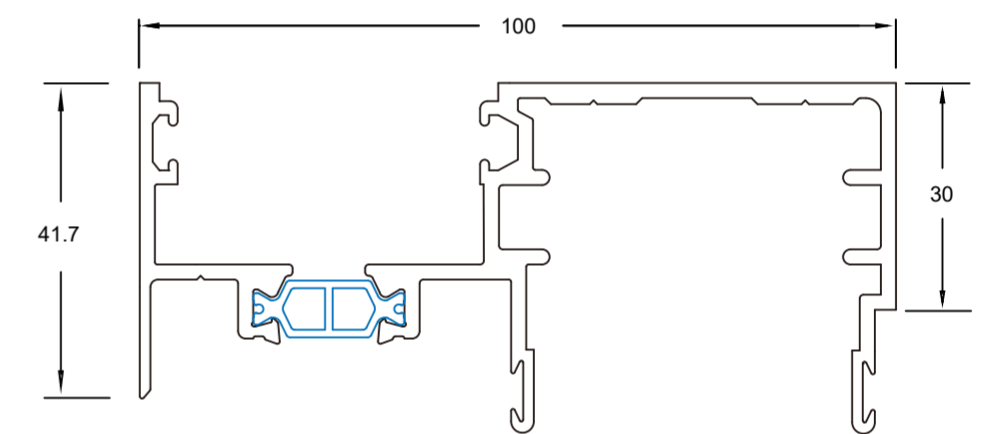
CGFG309 100MM FRONT TRANSOM/SILL
*CGFG310 100MM FRONT INTERNAL BEAD



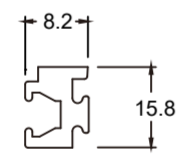
CGFG311
100MM FRONT BOX AWNING TRANSOM



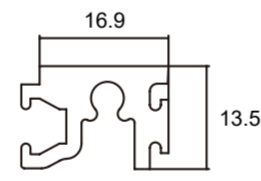
CGFG327
100MM FRONT FEMALE MULLION



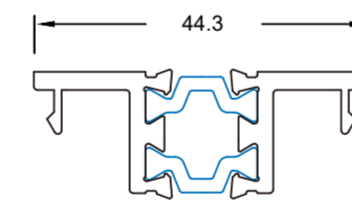
CGFG328
100MM FRONT MALE MULLION



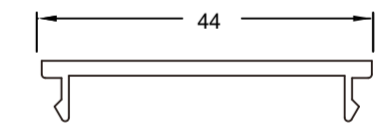
CDG4308
8MM POCKET REDUCER



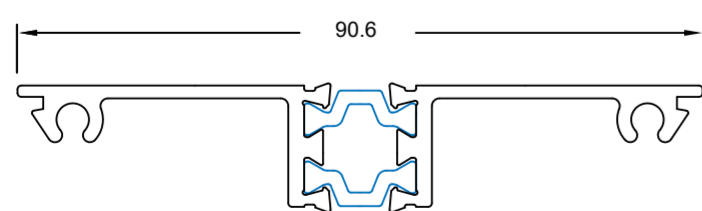
DGF4510
16MM POCKET REDUCER



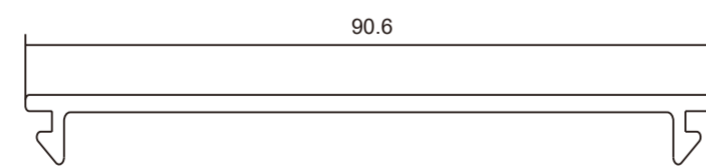
CGDG106
FRAME POCKET FILLER



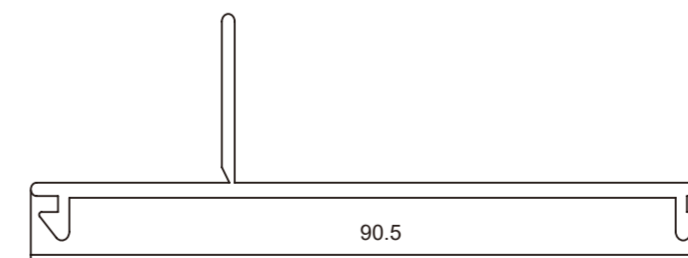
CGM106
POCKET FILLER - NON-THERMAL



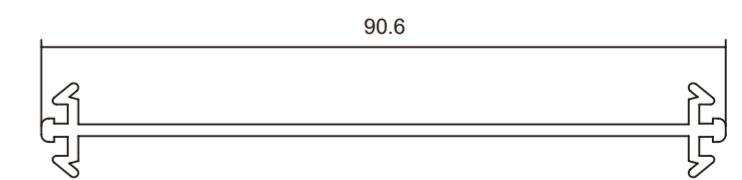
CGDG118
100MM FLUSH FILLER



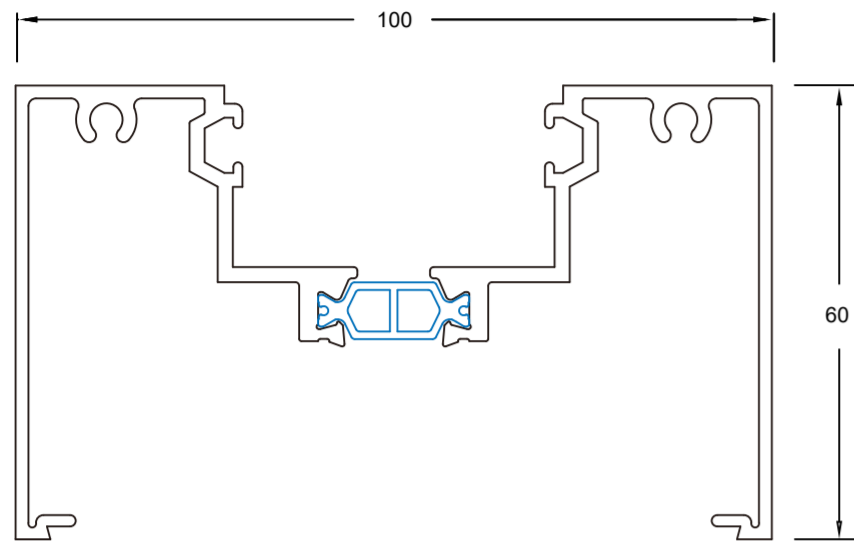
TJ305
FLUSH ADAPTOR



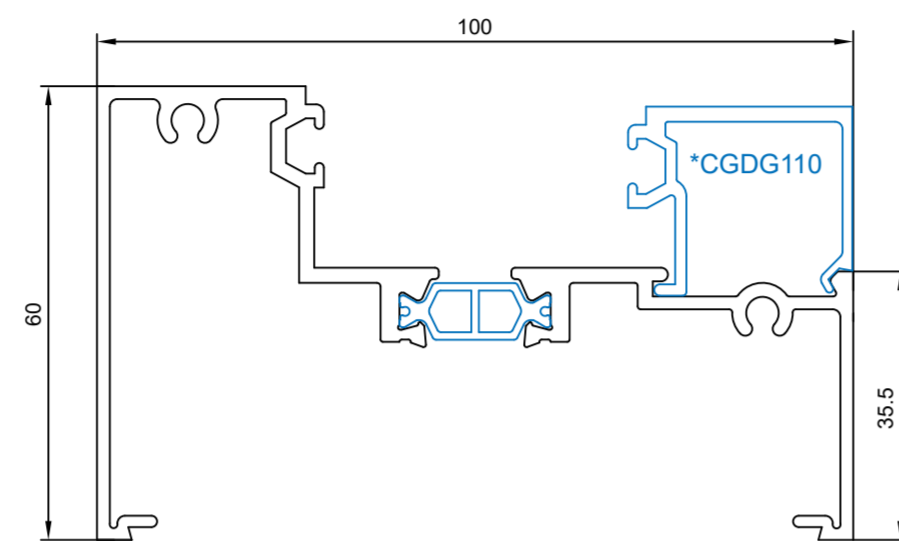
TJ342
REVEAL CLIP-IN



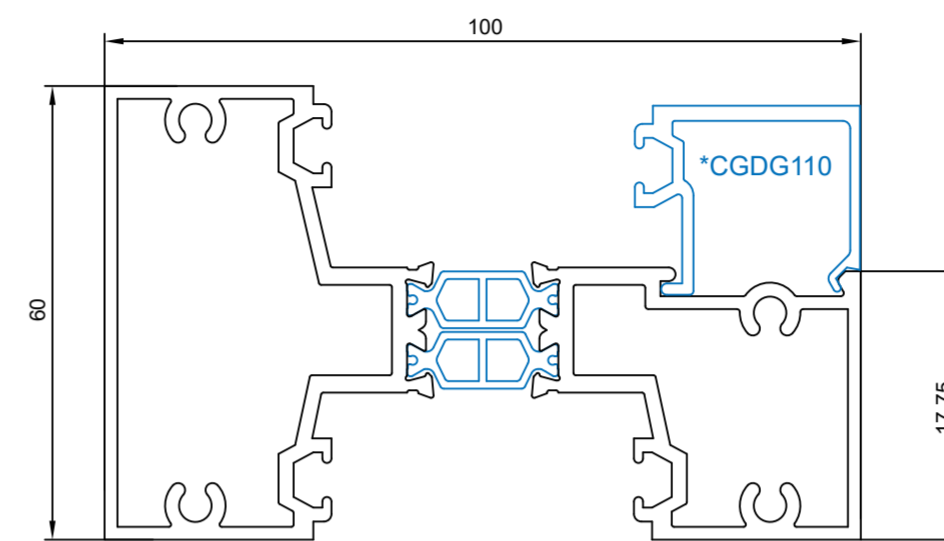
TJ385
BACK TO BACK ADAPTOR



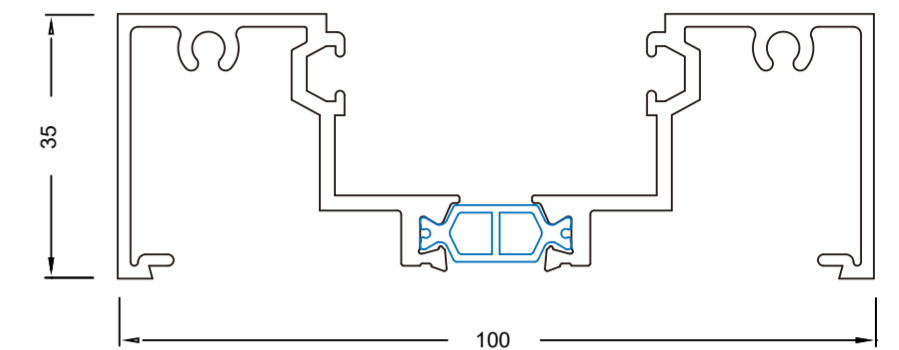
CGDG101
100MM CENTRE FRAME



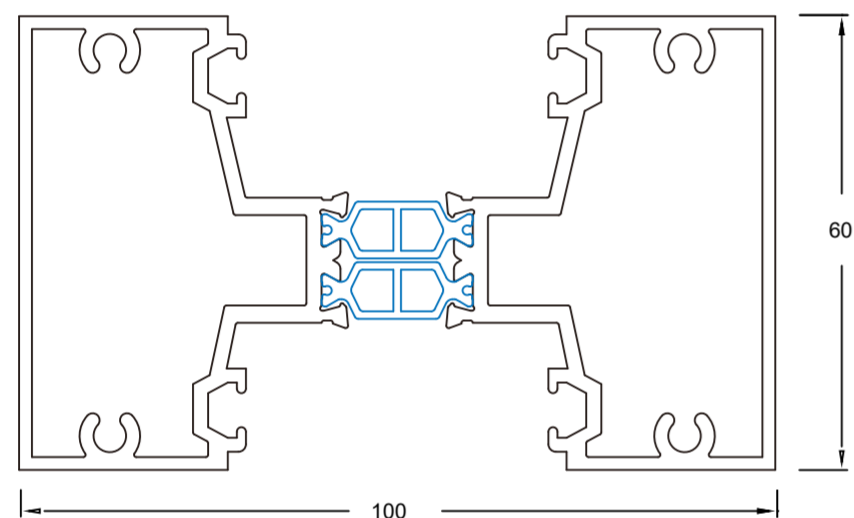
CGDG102 100MM CENTRE SILL
*CGDG110 100MM CENTRE BEAD



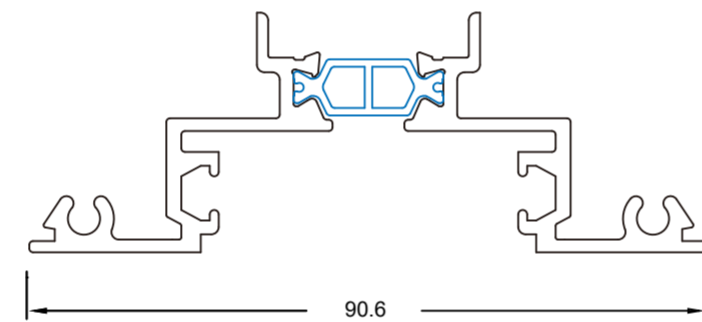
CGDG162 100MM CENTRE TRANSOM/SILL
*CGDG110 100MM CENTRE BEAD



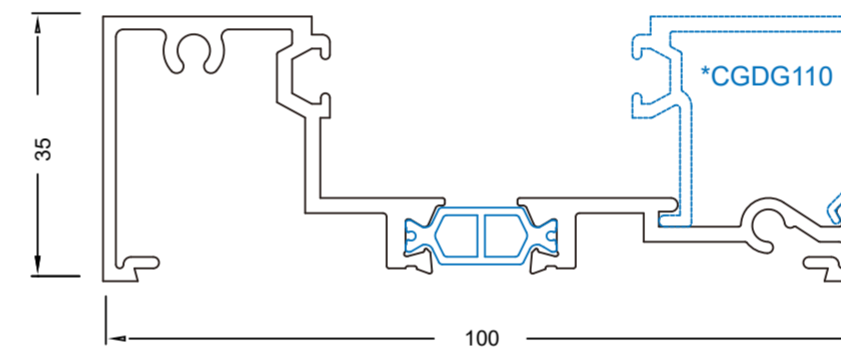
CGDG135
100MM CENTRE NARROW FRAME



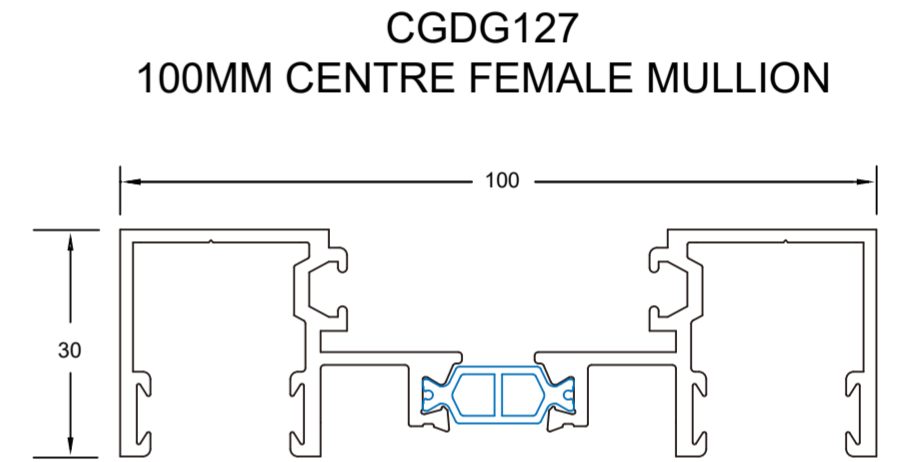
CGDG111
100MM CENTRE AWNING SILL/TRANSOM



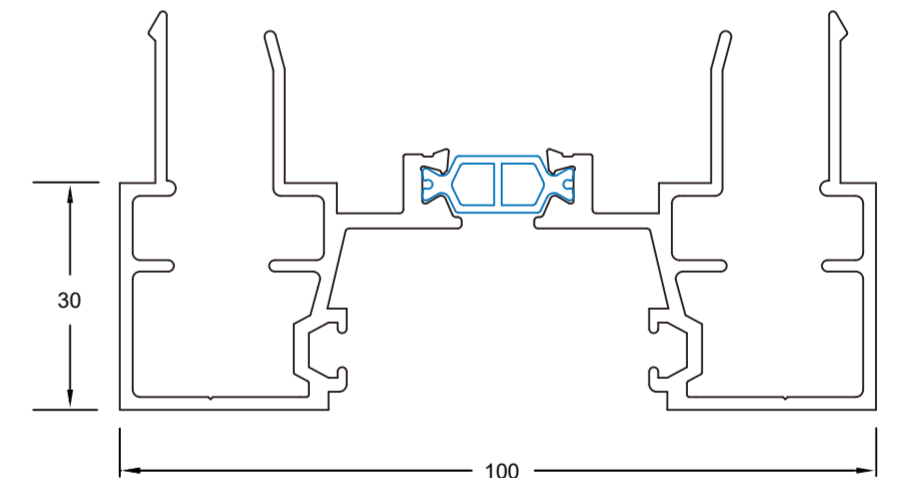
CGDG113
100MM CENTRE POCKET ADAPTOR



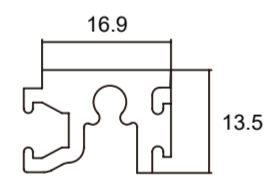
CGDG136 100MM CENTRE LOW SILL
*CGDG110 100MM CENTRE BEAD



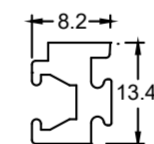
CGDG127
100MM CENTRE FEMALE MULLION



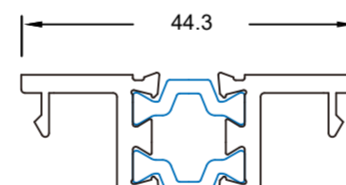
CGDG128
100MM CENTRE MALE MULLION



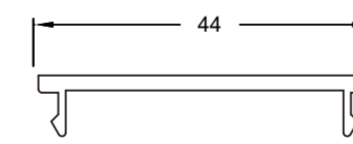
DGF4510
16MM POCKET REDUCER



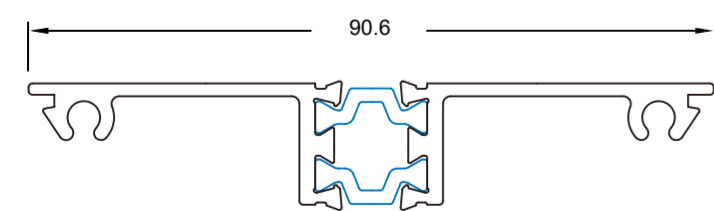
CDG4308
CENTRE
POCKET REDUCER



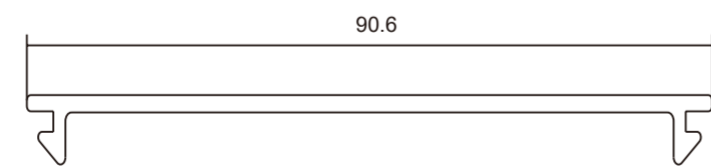
CGDG106
MAINFRAME
POCKET FILLER



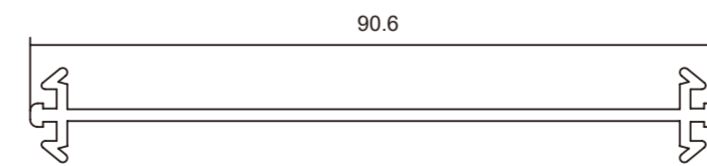
CGM106
POCKET FILLER
- NON-THERMAL



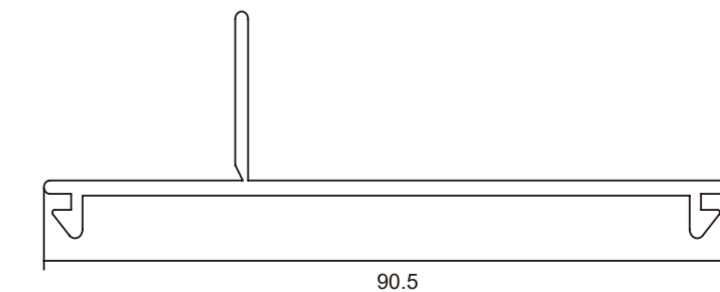
CGDG118
100MM FLUSH FILLER



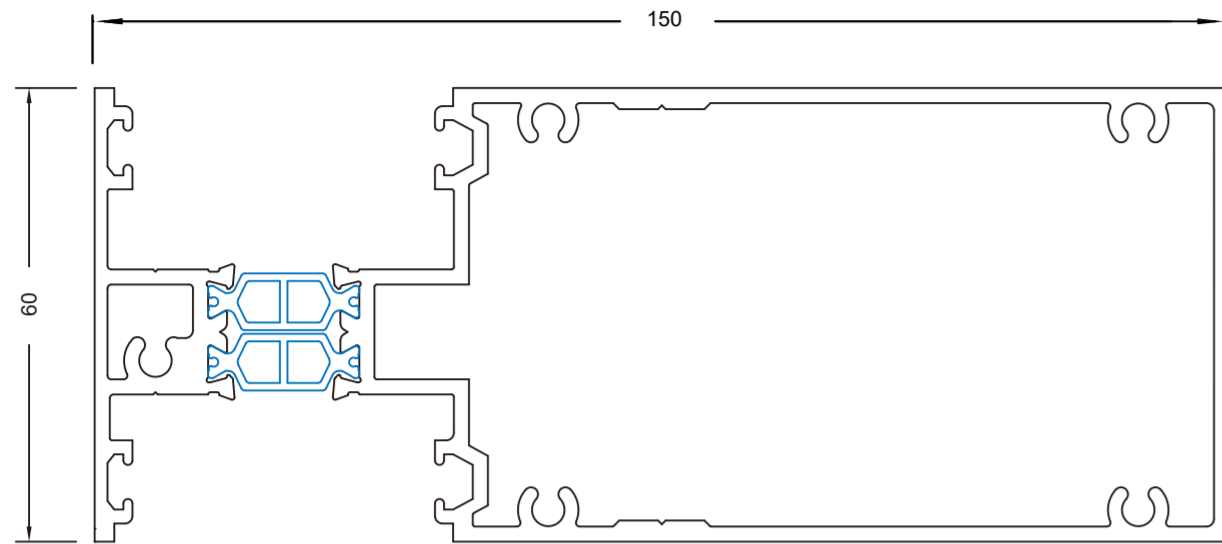
TJ305
FLUSH ADAPTOR



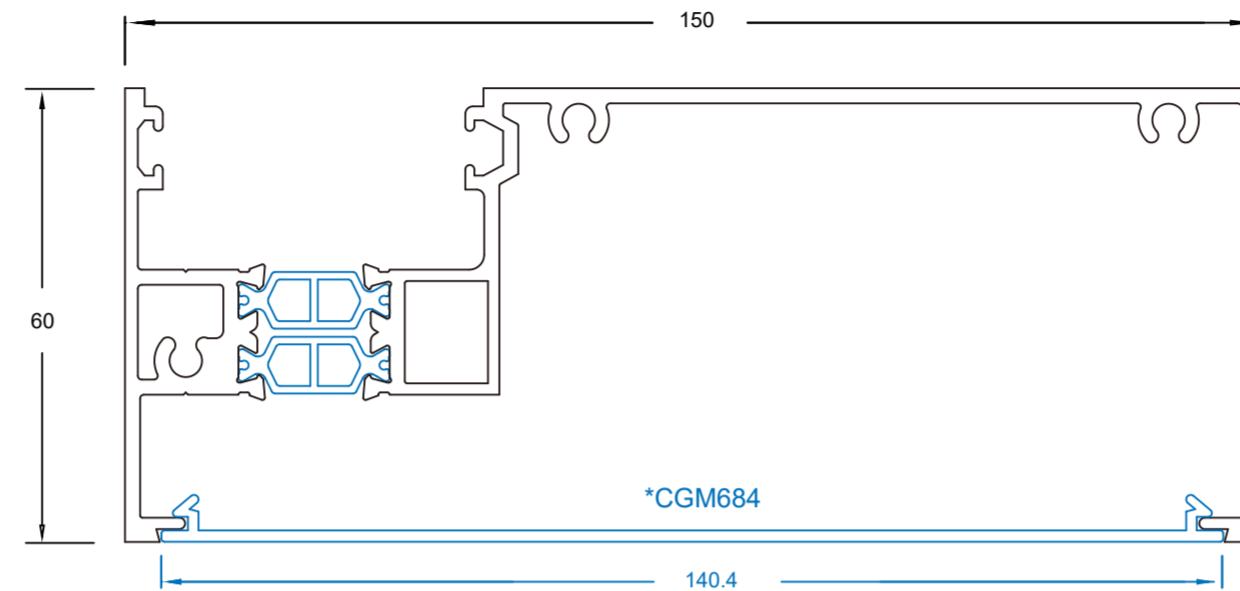
TJ385
BACK TO BACK ADAPTOR



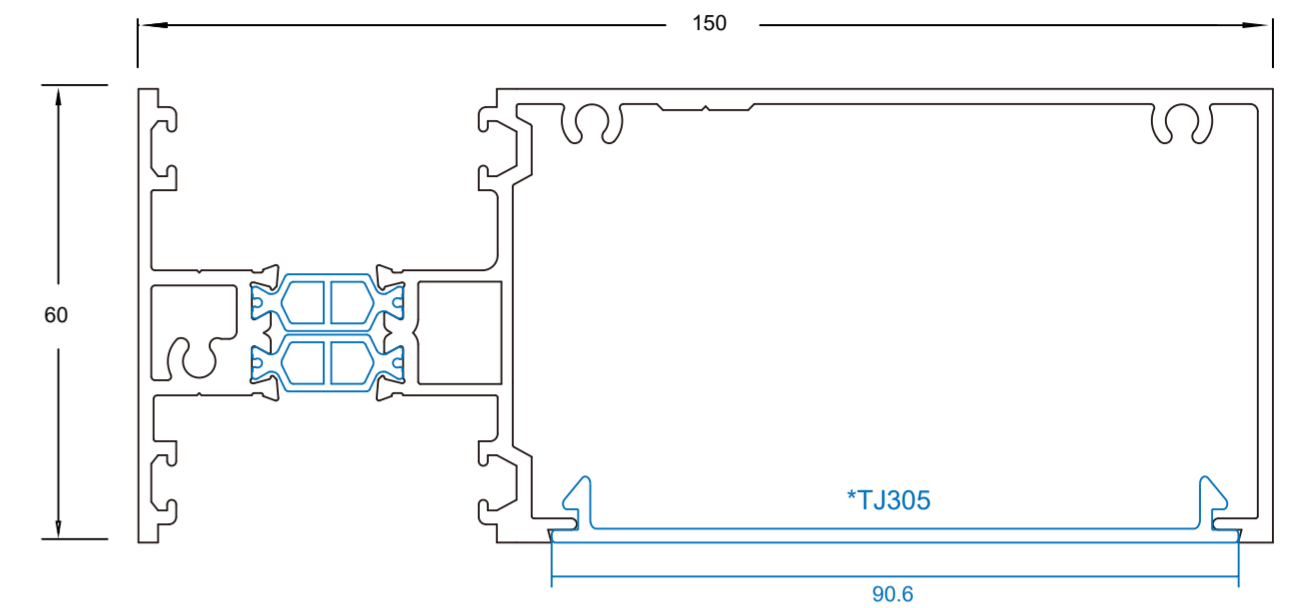
TJ342
REVEAL ADAPTOR



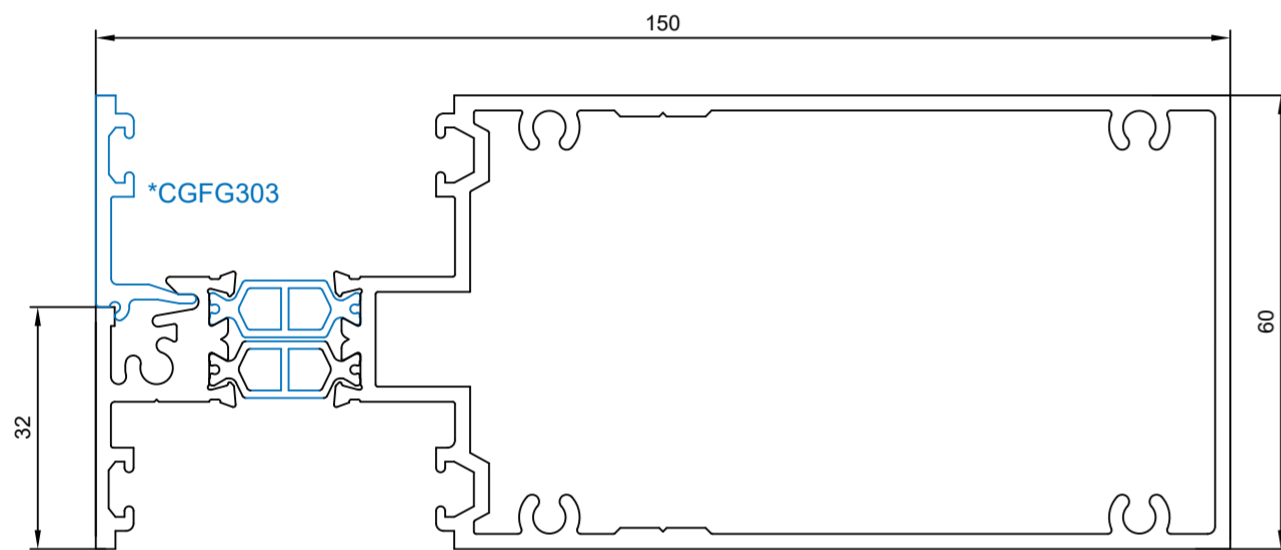
CGFG811
150MM FRONT AWNING / BOX TRANSOM



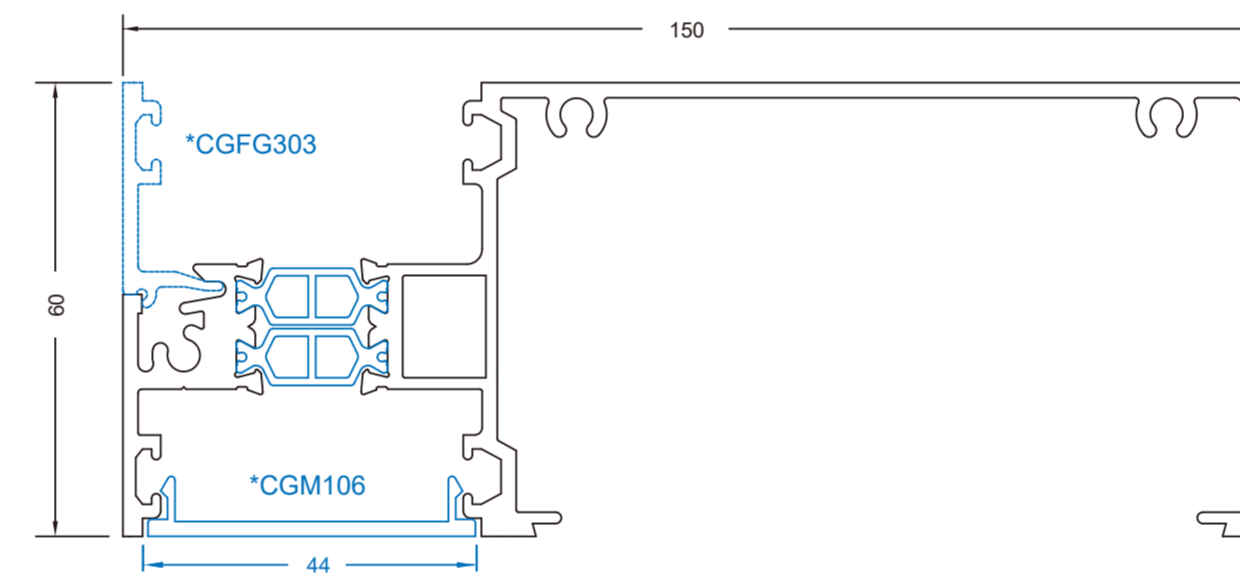
CGFG860 150MM FRONT FRAME
*CGM684 150MM FLAT FILLER



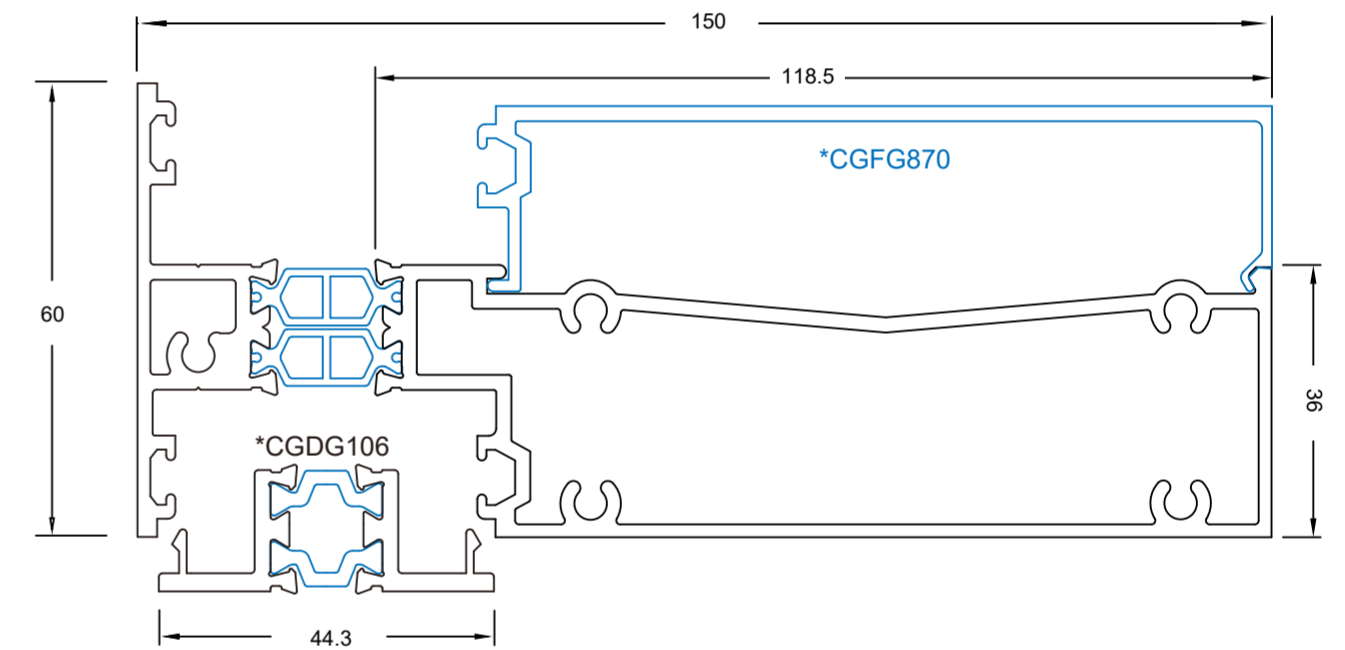
CGFG861 150MM FRONT OPEN FRAME / AWNING TRANSOM
*TJ305 FLUSH ADAPTOR



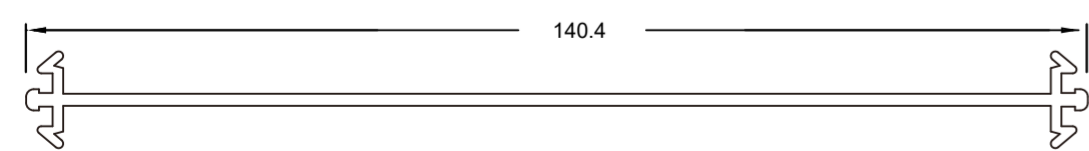
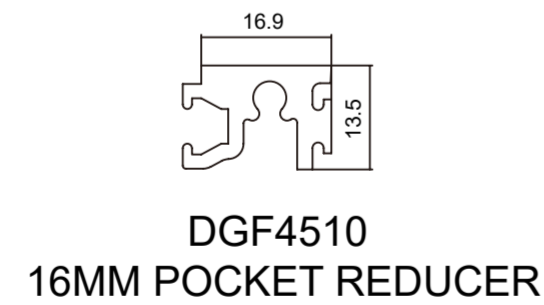
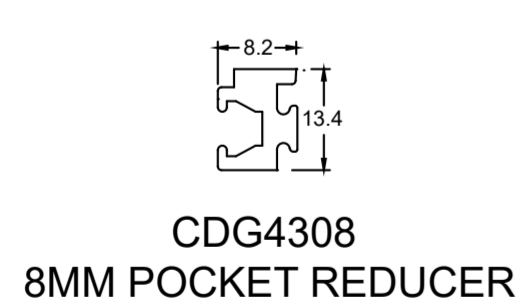
CGFG862
150MM FRONT BOX TRANSOM SILL
*CGFG303 100MM FRONT BEAD



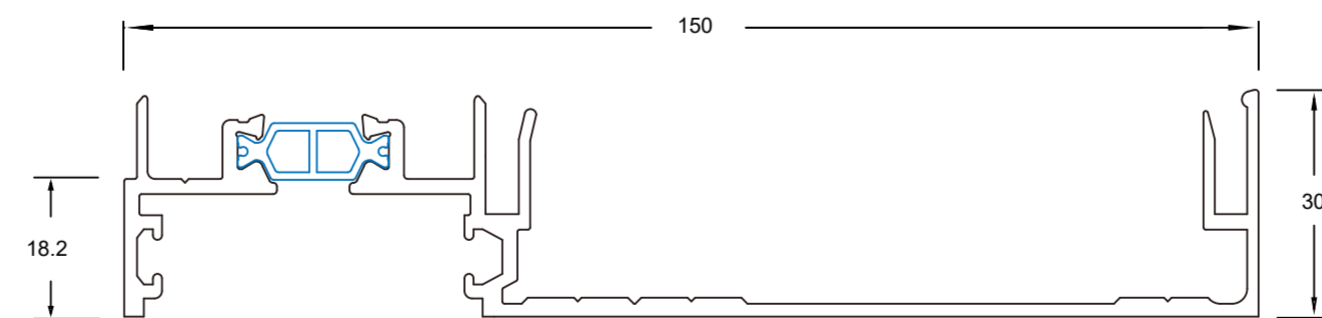
CGFG863 150MM FRONT OPEN TRANSOM SILL
*CGFG303 100MM FRONT BEAD
*CGM106 POCKET FILLER - NON-THERMAL



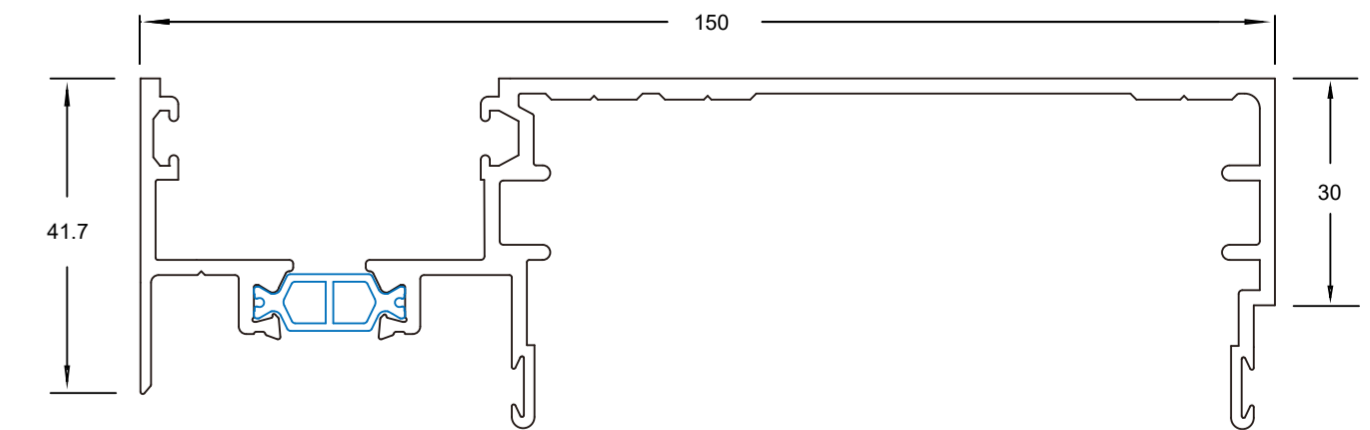
CGFG869 150MM FRONT TRANSOM SILL
*CGFG870 150MM FRONT INTERNAL BEAD
*CGDG106 MAINFRAME POCKET FILLER



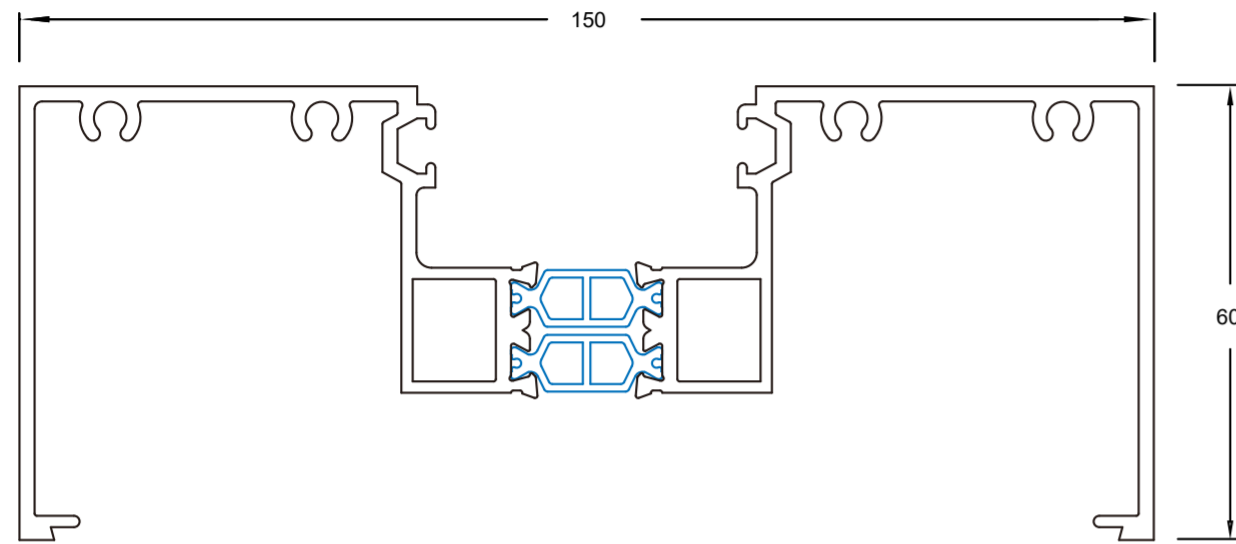
CGM685
150MM BACK TO BACK ADAPTOR



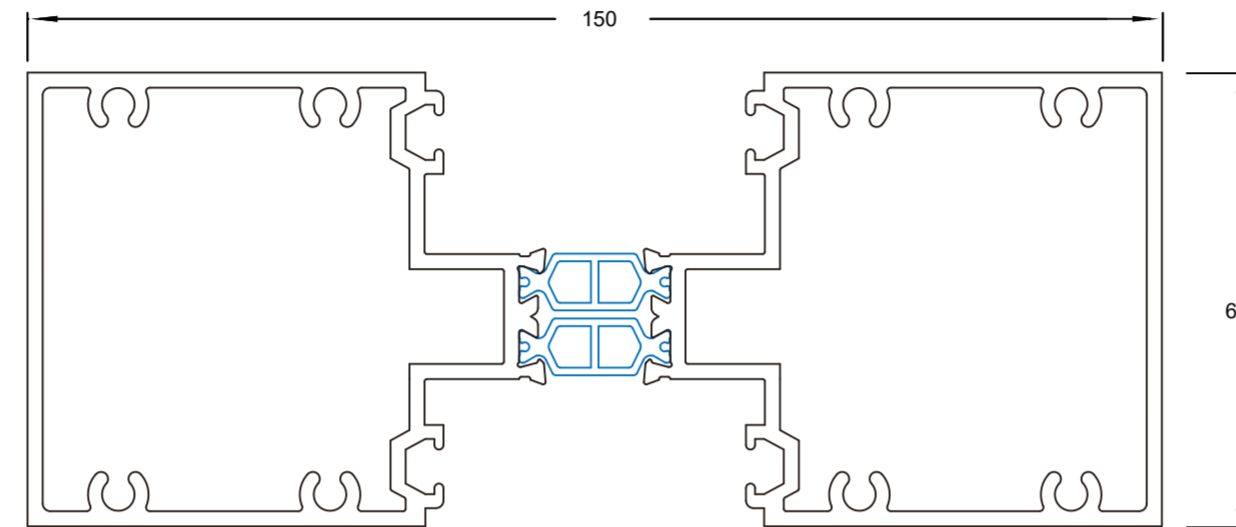
CGFG887
150MM FRONT FEMALE MULLION



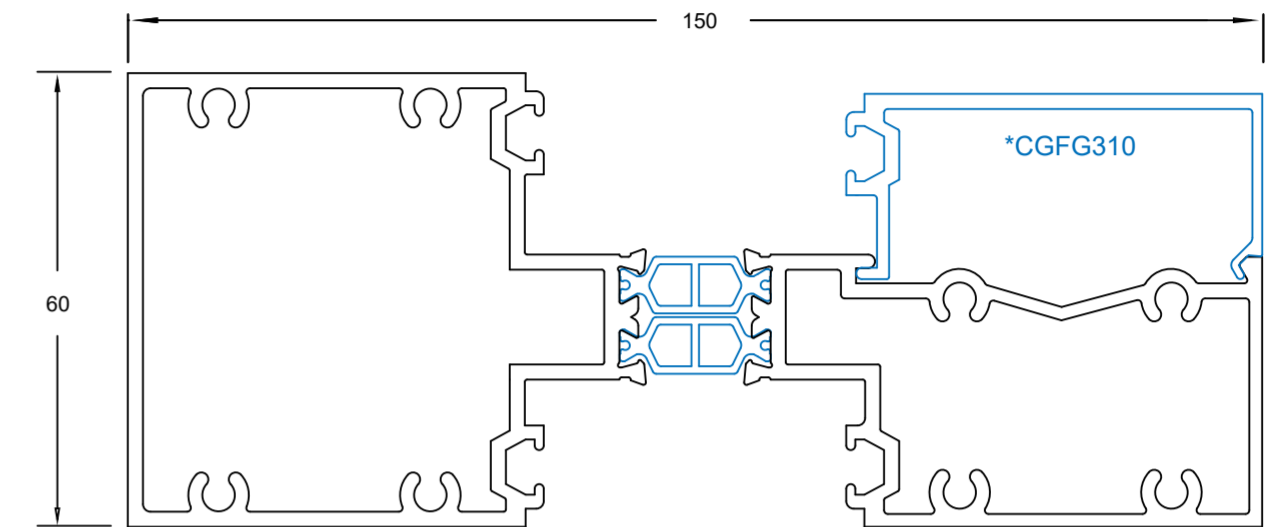
CGFG888
150MM FRONT MALE MULLION



CGDG661
150MM CENTRE MAINFRAME

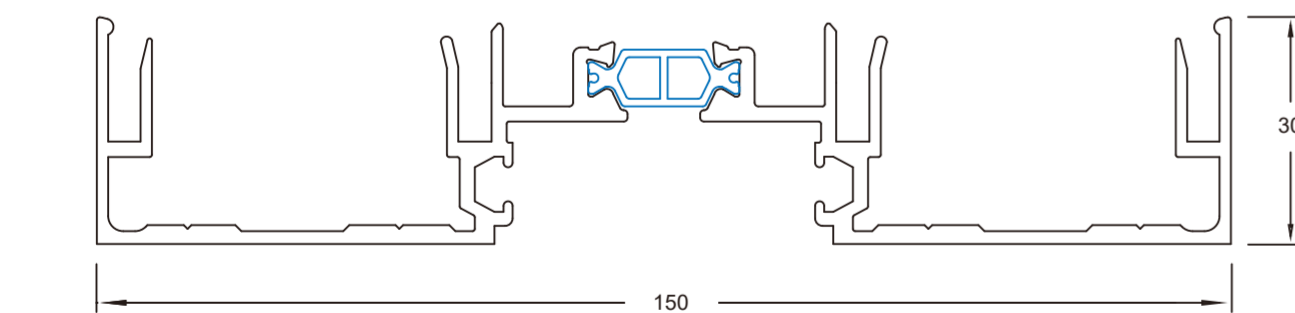
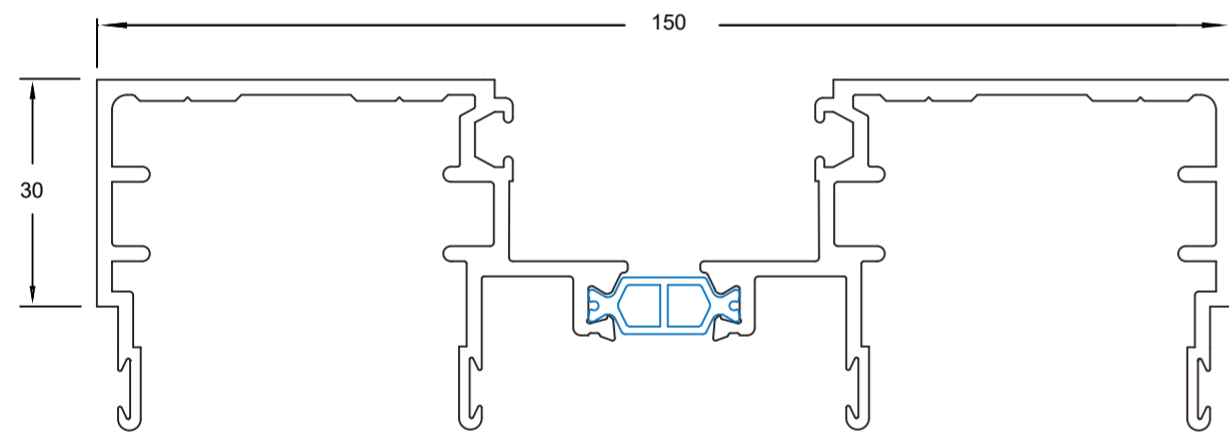


CGDG662
150MM CENTRE BOXED FRAME / AWNING TRANSOM

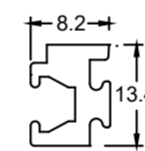


CGDG669 150MM CENTRE TRANSOM/SILL
*CGFG310 100MM FRONT INTERNAL BEAD

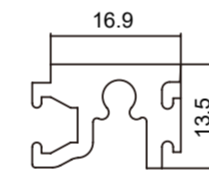
CGDG688 150MM CENTRE MALE MULLION



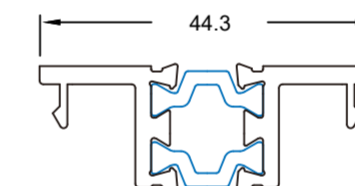
CGDG687 150MM CENTRE FEMALE MULLION



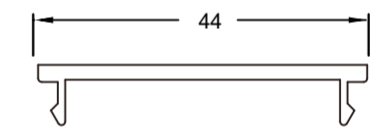
CDG4308
CENTRE
POCKET REDUCER



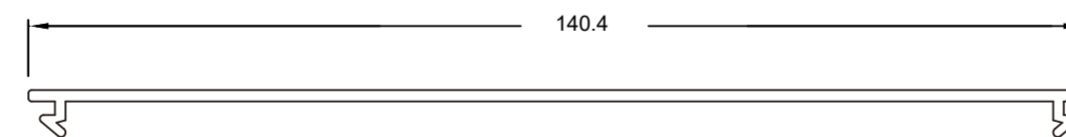
DGF4510
16MM POCKET
REDUCER



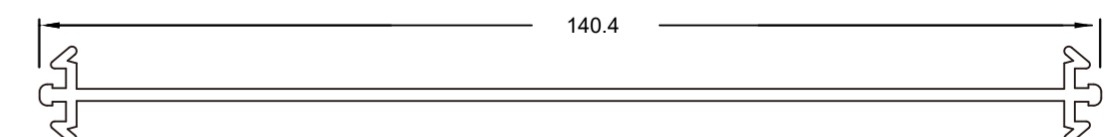
CGDG106
MAINFRAME
POCKET FILLER



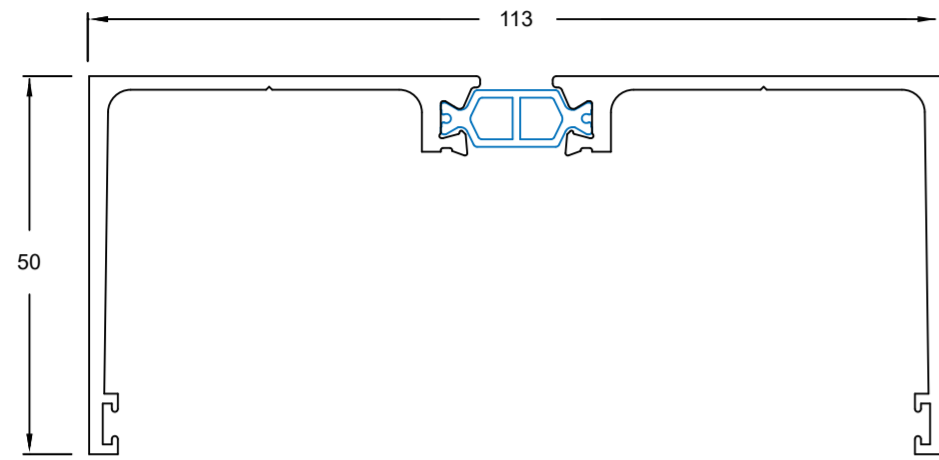
CGM106
POCKET FILLER
- NON-THERMAL



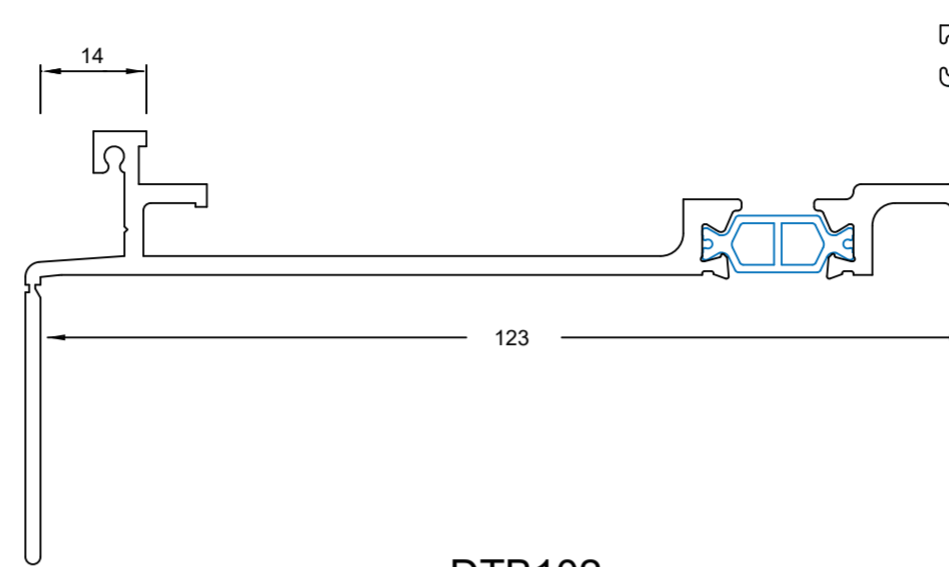
CGM684
150MM FLAT FILLER



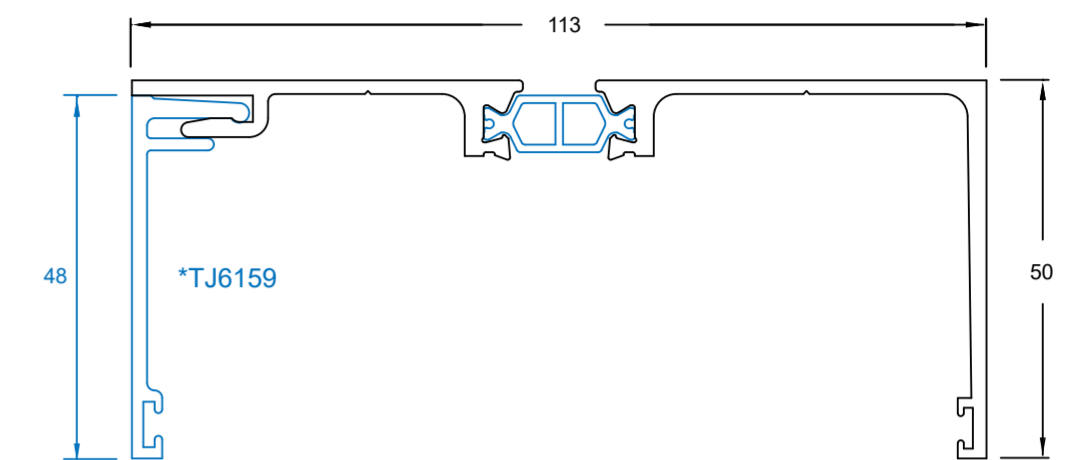
CGM685
150MM BACK TO BACK ADAPTOR



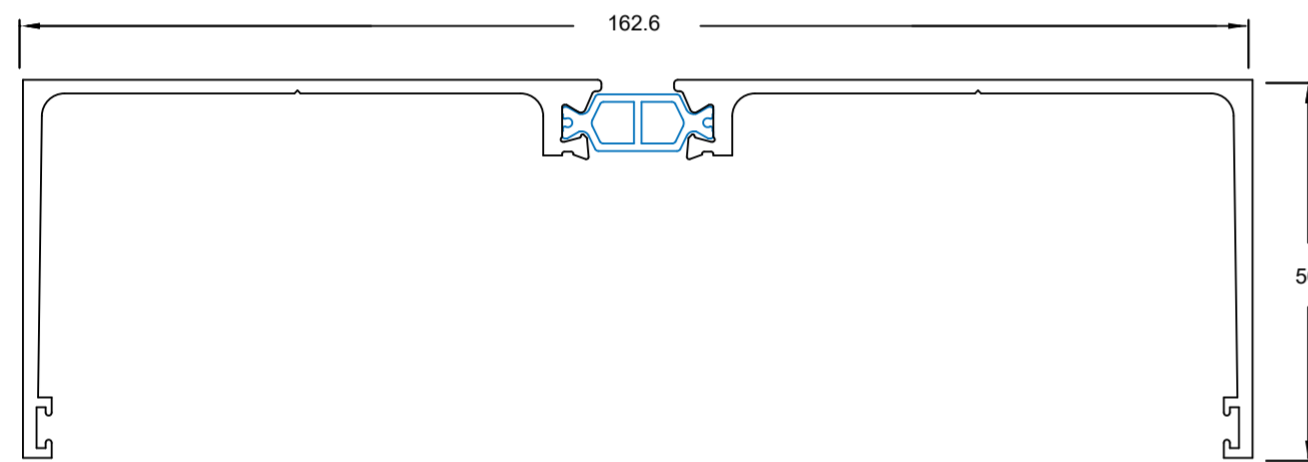
DTB101
100MM THERMAL SUB HEAD 50MM TALL



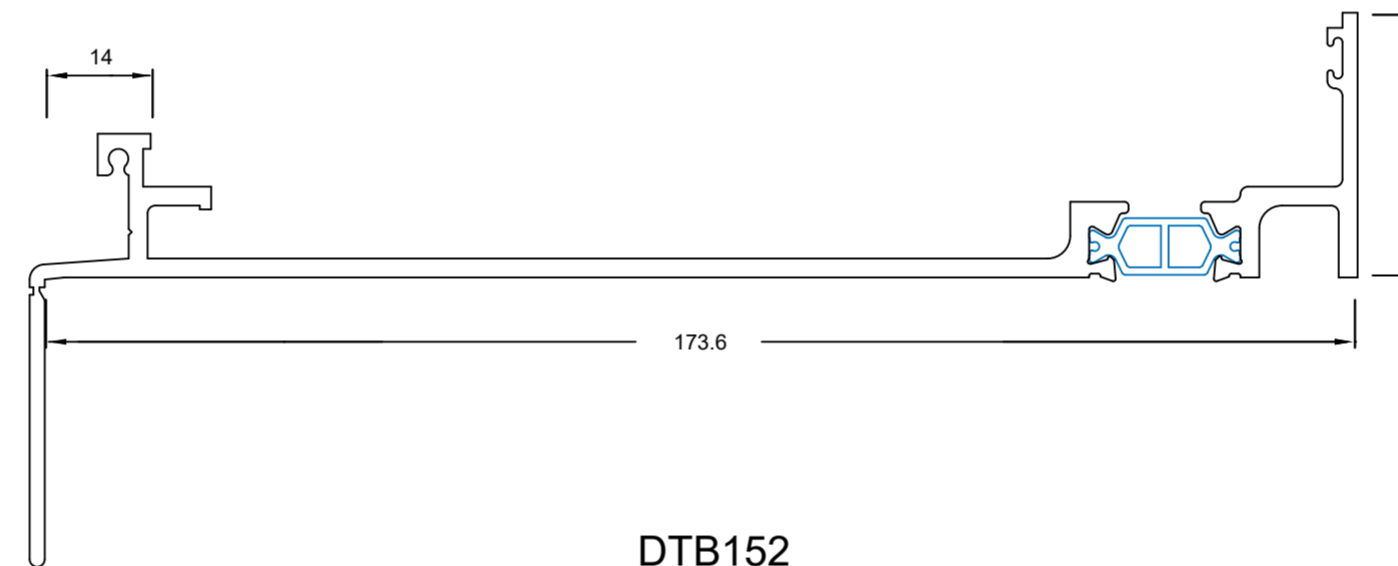
DTB102
100MM THERMAL SUB SILL



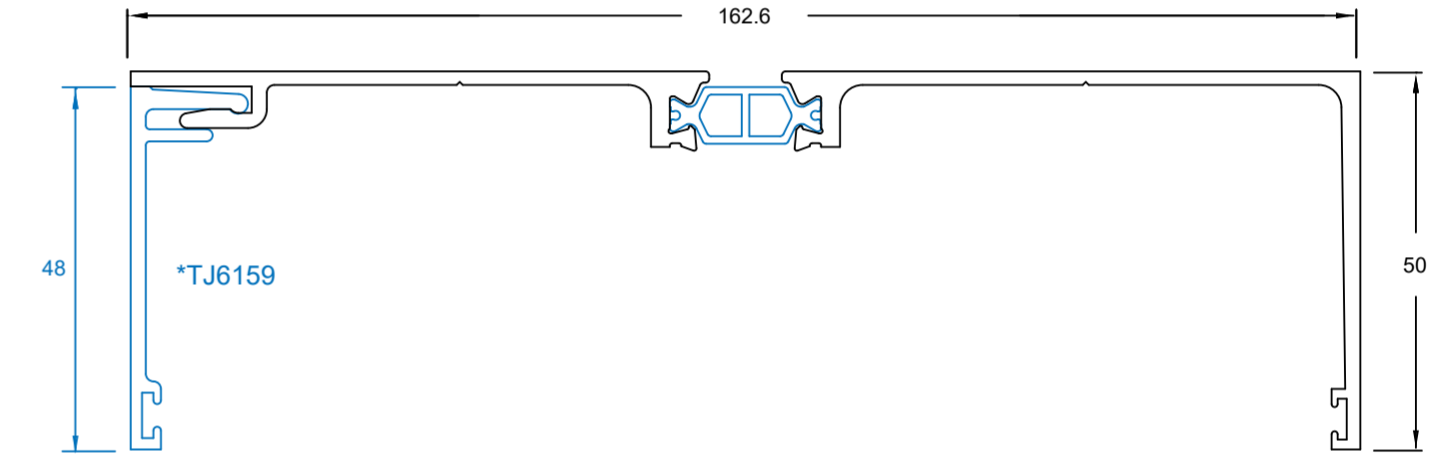
DTB103 100MM THERMAL SUB HEAD / JAMB 50MM TALL
*TJ6159 SUB HEAD/JAMB COVER



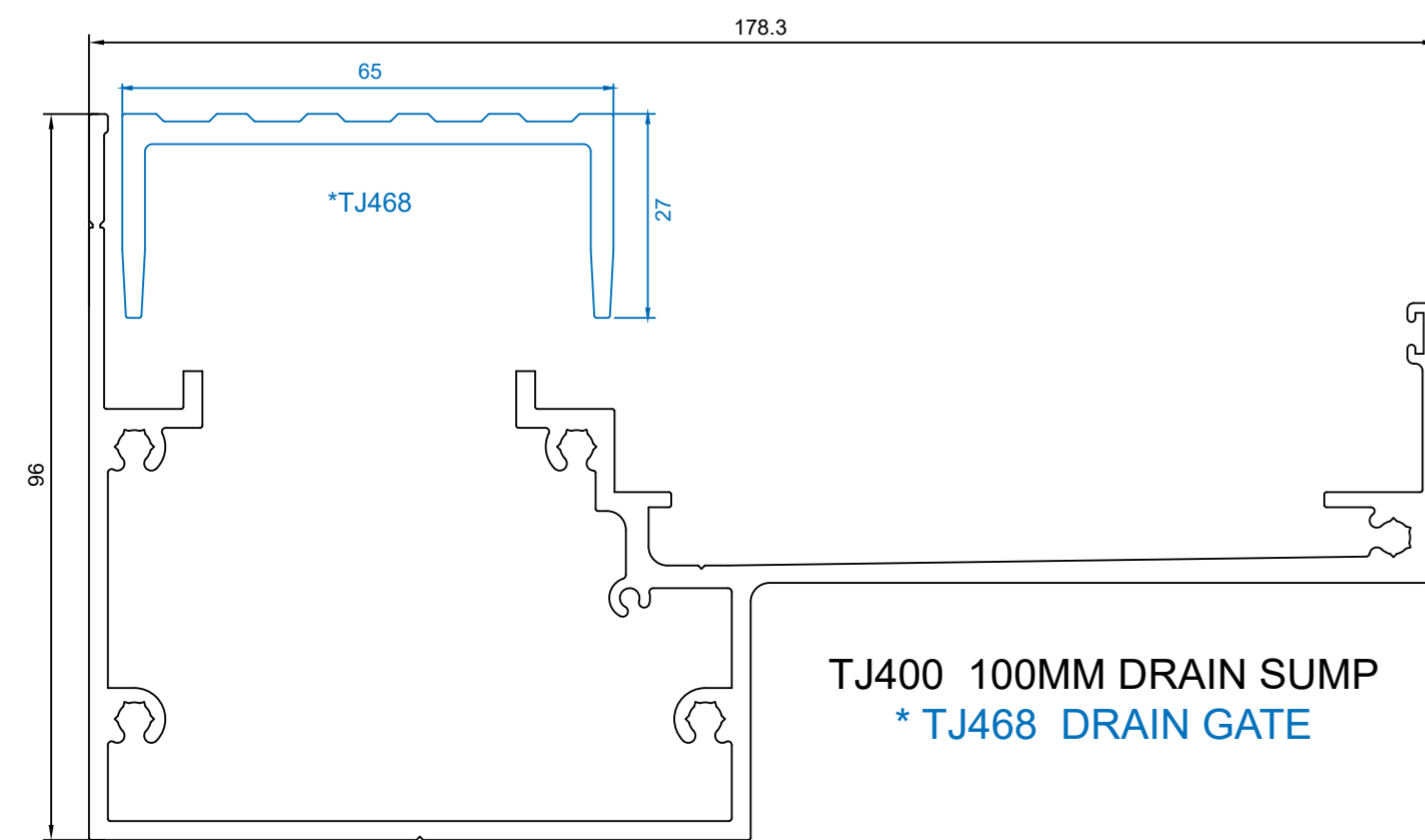
DTB151
150MM THERMAL SUB HEAD 50MM TALL



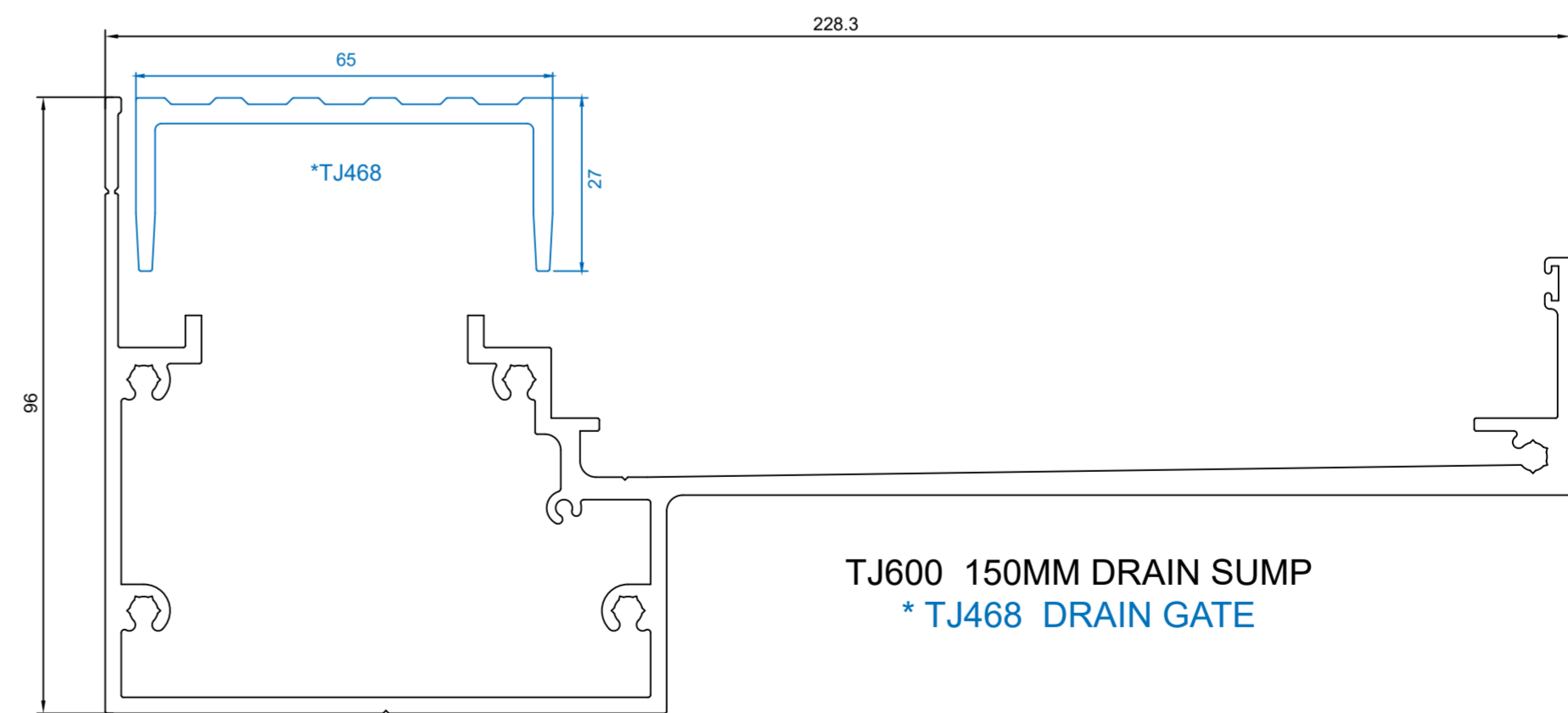
DTB152
150MM THERMAL SUB SILL



DTB153 150MM THERMAL SUB HEAD / JAMB 50MM TALL
*TJ6159 SUB HEAD / JAMB COVER 50MM TALL



TJ400 100MM DRAIN SUMP
* TJ468 DRAIN GATE



TJ600 150MM DRAIN SUMP
* TJ468 DRAIN GATE

GLAZING CHARTS

WEDGE GLAZING: 1

LEGEND GUIDE

- 76mm x 35mm CENTRE - SG
- 101.6mm x 44.4mm CENTRE - SG (incl. TJ308)
- 150mm x 44.4mm CENTRE AND OFFSET - SG
- 45mm STANDARD DOOR - SG
- 45mm OPEN POCKET DOOR - SG
- 45mm FLUSH FACE DOOR (Water Rated)
- MULTIFOLD DOOR SYSTEM - SG

GLASS	PROFILES	WEDGE	GUIDE	POCKET
6mm		1615 - 1625 1620 1620 - 1640 1620 - 1635 1620 - 1651 1620 - 1684		14.5mm
8mm		1625 1630 - 1635 1620 - 1630 1630 - 1651 1630 - 1684		14.5mm
10mm		1630 1630 - 1636		14.5mm

WEDGE GLAZING: 2

LEGEND GUIDE

- 100mm x 50mm FRONT - SG
- 150mm x 50mm FRONT - SG
- 45mm DOUBLE BEADED DOOR - SG
- MULTIFOLD DOOR SYSTEM DOUBLE BEADED - SG

GLASS	PROFILES	WEDGE	GUIDE	POCKET
6mm	TJ202 bead for ●	1615 1620 - 1645 1630 - 1623 1630 - 1933		16.75mm
8mm		1620 1625 - 1645 1615 - 1646 1615 - 1684		16.75mm
10mm		1625 1620 - 1646 1630 - 1684		16.75mm
12mm	TJ202 bead for ●	1630 1630 - 1647		16.75mm

WEDGE GLAZING: 3

LEGEND GUIDE

- 100mm x 50mm FRONT - DG
- 101.6mm x 50mm CENTRE - DG (incl. CDG4305)
- 150mm x 50mm FRONT - DG
- 150mm x 50mm CENTRE - DG
- 45mm DG OPEN POCKET DOOR - DG

GLASS	PROFILES	WEDGE	GUIDE	POCKET
6mm	DGF4510 (front) 2 x CDG4308 (centre)	1615 1625 - 1645 1620 - 1645		33.2mm
8mm	DGF4510 (front) 2 x CDG4308 (centre)	1620 1625 - 1645 1615 - 1646		33.2mm
10mm	DGF4510 (front) 2 x CDG4308 (centre)	1625 1620 - 1646		33.2mm
12mm	DGF4510 (front) 2 x CDG4308 (centre)	1630 1630 - 1647		33.2mm
16mm	CDG4308 reducer	1615 1625 - 1645		33.2mm
18mm	CDG4308 reducer	1615 - 1625 1615 - 1646 1630 - 1645		33.2mm
20mm		1615 - 1623 1623 - 1645 1933		33.2mm
22mm		1615 - 1645 1620 - 1623 1615 - 1933 1623 - 1684		33.2mm
24mm		1615 1620 1615 - 1646 1615 - 1684		33.2mm
26mm		1620 1620 - 1630 1625 - 1646 1625 - 1684		33.2mm
28mm		1625 - 1630 1625 - 1646 1625		33.2mm

WEDGE GLAZING: 4

LEGEND GUIDE

- WEDGE GLAZED CHANNEL - SG
- WEDGE GLAZED CHANNEL - DG
- 101.6mm x 50mm CENTRE DG - 50mm Pocket
- 250mm x 60mm FRONT DG - 50mm Pocket

GLASS	PROFILES	WEDGE	GUIDE	POCKET
6mm		1615 - 1933 1933 - 1601		
8mm	TJ025 OR	1620 - 1933 1623 - 1601		19mm
10mm	TJ015 with TJ016 for ●	1620 - 1615 1615 - 1601		
12mm		1620 - 1601		
20mm	TJ043 OR	1615 - 1623 OR 1615 - 1622 OR 1623 - 1645		
22mm	TJ041 with TJ042 for ●	1630 - 1623 OR 1625 - 1933 OR 1933 - 1645		
24mm	Requires 1 x DGF4510 reducer	1615 - 1615 OR 1620 - 1645		50mm
26mm	OR	1625 - 1625 OR 1630 - 1620		
28mm	2 x CDG4308 reducers	1630 - 1630		
30mm		1615 - 1623 OR 1615 - 1622 OR 1933 - 1645		
32mm	TJ043 OR	1615 - 1615 OR 1615 - 1645		
34mm	TJ041 with TJ042 for ●	1620 - 1620 OR 1615 - 1625 OR 1625 - 1645		50mm
36mm	Requires 1 x CDG4308 reducer	1625 - 1625 OR 1625 - 1630		
38mm		1620 - 1623 OR 1620 - 1622 OR 1615 - 1645		
40mm	TJ043 OR	1615 - 1620 OR 1620 - 1645		
42mm	TJ041 with TJ042 for ●	1620 - 1620 OR 1615 - 1630 OR 1625 - 1645		50mm
44mm		1625 - 1630		

NOTE: If using DGF908 reducer in 50mm Pocket, refer to **Wedge Glazing: 2** table.

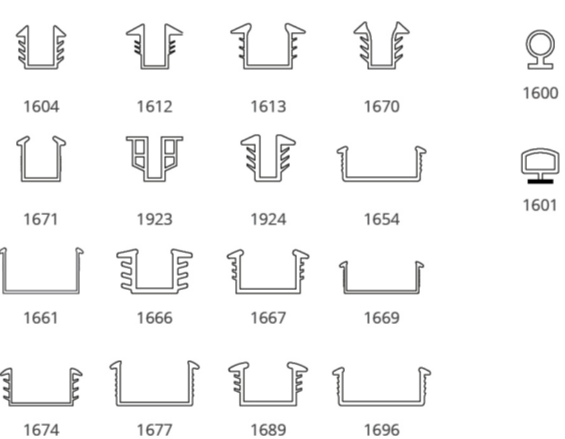
WEDGE GLAZING: 5

LEGEND GUIDE

- MULTIFOLD DOOR SYSTEM / FLUSH FACE DOOR (WATER RATED) - DG
- 45mm DOUBLE BEADED DOOR - DG
- MULTIFOLD DOOR SYSTEM DOUBLE BEADED - DG

GLASS	PROFILES	WEDGE	GUIDE	POCKET
20mm	TJ227 bead for ○	1623		35.1mm
22mm	TJ227 bead for ○	1615 - 1623 1933		35.1mm
24mm	TJ227 bead for ○	1615 - 1623 1615 - 1933 1620 - 1933 1933 - 1684		35.1mm
26mm	TJ227 bead for ○	1615 1615 - 1684 1630 - 1623 1623 - 1684		35.1mm
28mm		1620 1620 - 1684		35.1mm

CHANNEL GLAZING



BULB SEALS



CAPTIVE RUBBERS



WEDGE RUBBERS



TAPE GLAZING: 1

LEGEND GUIDE

- CAPPED FRONT GLAZED

GLASS	PROFILES	TAPE	GUIDE	SEAL
6mm	JM2843/2844 and either; JM2841, JM2846, JM2861, JM2866, JM2845	1402 (6.4mm)		
8mm	JM2843/2844 and either; JM2841, JM2846, JM2861, JM2866, JM2845	1401 (4.8mm)		
10mm	JM2843/2844 and either; JM2841, JM2846, JM2861, JM2866, JM2845	1400 (3.2mm)		
	JM2856/2857 and either; JM2841, JM2846, JM2861, JM2866, JM2845	1403 (9.5mm)		1600 bulb
12mm	JM2856/2857 and either; JM2841, JM2846, JM2861, JM2866, JM2845	1402 (6.4mm)		1601 CO-EX bulb 1650 wedge
14mm	JM2856/2857 and either; JM2841, JM2846, JM2861, JM2866, JM2845	1401 (4.8mm)		
16mm	JM2856/2857 and either; JM2841, JM2846, JM2861, JM2866, JM2845	1400 (3.2mm)		
22mm - 24mm	JM2843/2855 and either; JM2840, JM2871, JM2876, JM2849	1403 (9.5mm)		
26mm	JM2843/2855 and either; JM2840, JM2871, JM2876, JM2849	1402 (6.4mm)		
28mm	JM2843/2855 and either; JM2840, JM2871, JM2876, JM2849	1400 (3.2mm)		

TAPE GLAZING: 2

LEGEND GUIDE

- AWNING WINDOW (Wa only)
- 35mm AWNING WINDOW
- 50mm AWNING / CASEMENT WINDOW
- TRUTH AWNING / CASEMENT WINDOW

GLASS	PROFILES	RUBBER / TAPE	GUIDE
6mm		1605	
	TJ709 bead	1601 - 1452 (4.8mm) 1620 - 1452 (4.8mm)	
	TJ714 bead	1931 - 1451 (3.2mm)	
8mm	TJ709 bead	1601 - 1451 (3.2mm) 1630 - 1451 (3.2mm)	
	TJ714 bead	1623 - 1450 (1.6mm)	
10mm	TJ709 bead	1601 - 1450 (1.6mm) 1630 - 1450 (1.6mm)	
	TJ714 bead	1615 - 1451 (3.2mm)	
12mm	TJ713 bead	1615 - 1452 (4.8mm) 1620 - 1453 (6.4mm)	
	TJ714 bead	1620 - 1450 (1.6mm)	
16mm	TJ713 bead	1620 - 1451 (3.2mm) 1630 - 1452 (4.8mm)	
	TJ716 bead	1931 - 1451 (3.2mm)	
18mm	TJ713 bead	1630 - 1450 (1.6mm)	
	TJ716 bead	1931 - 1450 (1.6mm)	
20mm	TJ016 bead	1615 - 1453 (6.4mm)	
	TJ716 bead	1933 - 1450 (1.6mm)	
22mm	TJ016 bead	1601 - 1453 (6.4mm) 1615 - 1452 (4.8mm)	
	TJ716 bead	1615 - 1450 (1.6mm)	
24mm	TJ016 bead	1601 - 1453 (6.4mm) 1620 - 1452 (4.8mm)	
	TJ717 bead	1931 - 1451 (3.2mm)	
28mm	TJ717 bead	1623 - 1450 (1.6mm)	
30mm	TJ717 bead	1933 - 1450 (1.6mm)	

CHANNEL GLAZING

LEGEND GUIDE

- 35mm DOOR
- 101.6mm SLIDING WINDOW
- PATIO DOOR
- COMMERCIAL DOUBLE HUNG WINDOW
- APARTMENT DOOR SYSTEM

GLASS	PROFILES	RUBBER	GUIDE	POCKET
4mm		1923		12.5mm
5mm		1924		12.5mm
6mm		1612		9.6mm
8mm		1604		12.5mm
10mm		1671		12.5mm
12mm		1665		30mm
		1666		21.5mm
16mm		1689		21.5mm
18mm		1667		21.5mm
20mm		1677		21.5mm
20.4mm		1661		21.5mm
24mm		1674		30mm
28mm		1669		30mm
30mm	SD157 adapter with DG system for	1654		33mm